

JC090003

LED Floodlights

20W LED Floodlight +PIR IP65 Manual Override Alu 4000K Black

Features & Benefits

- Highly efficient at 105 Lumens per circuit Watt
- Galvanized angled bracket for easy installation
- Driverless technology
- Supplied pre-wired with 800mm flex
- Manual override function
- Full IP65 protection against dust and moisture
- Toughened glass
- 2 years standard warranty extends to 3 years when registered within the first year of purchase (See Website for terms and conditions)
- This product contains a light source of energy efficiency class F



General Information

Mounting	Wall
Environment	Outdoor
Product Group	Floodlight
Color Finish	Black
Product Shape	Rectangular
Product Range	Domestic Exterior
Overall Dimensions	186 x 46 x 234mm
Width (mm)	186
Height (mm)	234
Depth (mm)	46
Product Weight(kg)	0.68
Light Source	LED
Light Source Features	Neutral White
Additional Information	Manual override - to operate turn the power OFF/ON/OFF/ON within 3 seconds. To return to automatic PIR operation, turn off power for 5 seconds, then turn power ON. If the power is off for longer than 15 seconds the Floodlight will light up for 5 seconds before activating automatic PIR detection mode.

Recommended Product Location	Exterior, general security lighting
Method Of Fix	Mounting Bracket with suitable fixings (not supplied)
IP Rating	IP65
Origin of manufacturer	China
Warranty	2 years standard warranty extends to 3 years when registered within the first year of purchase (See Website for terms and conditions)
Driver Manufacturer	No driver, mains LED Chips
LED Manufacturer/Type	Optoelectronics 2835
Lighting Product Type 1	Wall Light

Electrical

Voltage Rating	220-240
Primary Running Current(Amp)	0.1-0.13
Operating Frequency Hz	50Hz
Luminaire Circuit Wattage	20
Class	I
Total Harmonic Distortion (THD)%	1.856
EMC Compliant (EN55015)	Yes
Power Factor Correction	0.5
Input Electrical Connections	Live, Earth and Neutral
Dimmable	No

Thermals

Operating Temperature Range °C	-20 to +40
--------------------------------	-------------------

Performance Data

LED Life (Hours)	47000
------------------	--------------

Hours life stated is an indication of expected L70 chip and light output calculations when operating in optimum conditions. Product warranty period supports the full product during the term given. The L70 hours expectancy is not correlated with the full product warranty term, nor is it a representation of lumen depreciation during the warranty period.

Energy Rating	This product contains a light source of energy efficiency class F
Actual Lumen Output	2100
Lumens Per Circuit Watt	105
Standard Deviation Colour Matching - SDCM	<6
Color Rendering Index	50-79
CRI: Ra	70
Correlated Color Temperature	4000K
Beam Angle °	110
Photometry Available	Yes

Controls and Sensors

Detection Distance	4-10m
Detection Range	120°

Installation Height
Power Consumption
Time Delay

2.5m
Standby Power Consumption:<0.5W
3s to 8 mins

Construction

Primary Material
Inner Diffuser

Aluminium
Toughened Glass

Packaging

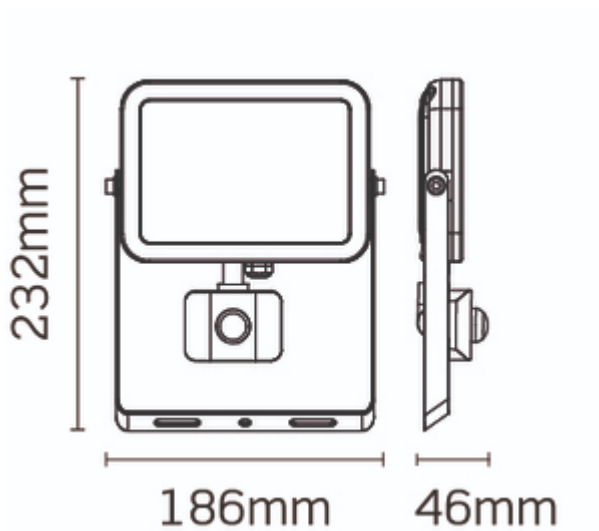
Quantity Per Outer Carton
Outer carton(L)- cm
Outer carton(W)- cm
Outer carton(H)- cm
Outer carton Net weight- kg
Outer carton Gross weight- kg
Product Bar Code EAN-13 Number
Outer carton Bar Code ITF-14 Number

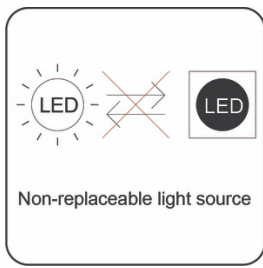
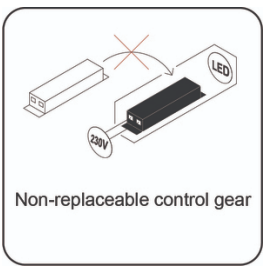
20
40.5
32.5
52.5
13.6
15.1
5052544102783
15052544102780

Standards & Approvals

Manufactured In Accordance To
CE Marked
UKCA Marked
Date code/Purchase order No.
WEEE Symbol
Certificate Of Conformity
Accredited Members

BS EN 60598-2015,2-1,2-5
Yes
Yes
Yes
Yes
Available on request
LIA, ISO9001-2015, ISO14001-2015





JCC Lighting LTD, Lux Park, Chichester Business Park, City Fields Way, Tangmere, Chichester, West Sussex, PO20 2FT.
Sales: 01243 838999 (8am to 5pm Monday to Friday) Fax: 01243 838998 | sales@jcc.co.uk | www.jcc.co.uk
Company Registration Number: 03044848 | VAT Number: 918544112

This document is uncontrolled if printed, all information is subject to change

Version 206 [13/04/2023]