



# SIRCO

Load break switches for power distribution  
from 125 to 5000 A

Load break  
switches

sirco-ac\_001\_a\_1\_cat



**SIRCO AC 3 x 250 A**  
direct handle

sirco\_456\_a\_1\_cat



**SIRCO 3 x 250 A**  
direct operation

## The solution for

- > Main switchboard
- > Distribution panel
- > Emergency breaking
- > Network coupling
- > Local safety breaking



## Strong points

- > Reliability and performance
- > Safety of property and personnel
- > Simplicity
- > Easy to install

## Compliance with standards

- > IEC 60947-3



## Enclosures

- > The SIRCO and SIRCO AC range can be easily fitted in our enclosures and cabinets designed for electrical distribution.



## Function

**SIRCO** and **SIRCO AC** are manually or remotely operated multipolar load break switches. They make and break under load conditions and provide safe isolation. SIRCO are designed for 415 VAC and DC low voltage electrical circuits. SIRCO AC are designed for heavy duty applications up to 690 VAC - AC 23.

## General characteristics

- Double positive break indication given through a position indication window, located directly on the product, and by the operating handle.
- Severe load duty categories (AC-22 and AC-23).
- High resistance to damp heat (supplied "tropicalised").

## Advantages

### Reliability and performance

The double breaking per pole, achieved through its sliding bar contact system, is a proven design that offers very high durability and short-circuit withstand. Improved breaking performance with quick opening and rapid closure.

### Safety of property and personnel

The position indicator is located directly on the sliding bar contact mechanism, ensuring it can be seen in all circumstances.

The use of glass fibre reinforced polyester gives the SIRCO and SIRCO AC both high mechanical and thermal resistance.

### Simplicity

The standardisation of the SIRCO and SIRCO AC range and its wide choice of common accessories enable:

- Simple mounting.
- Reduced stock management and storage costs.

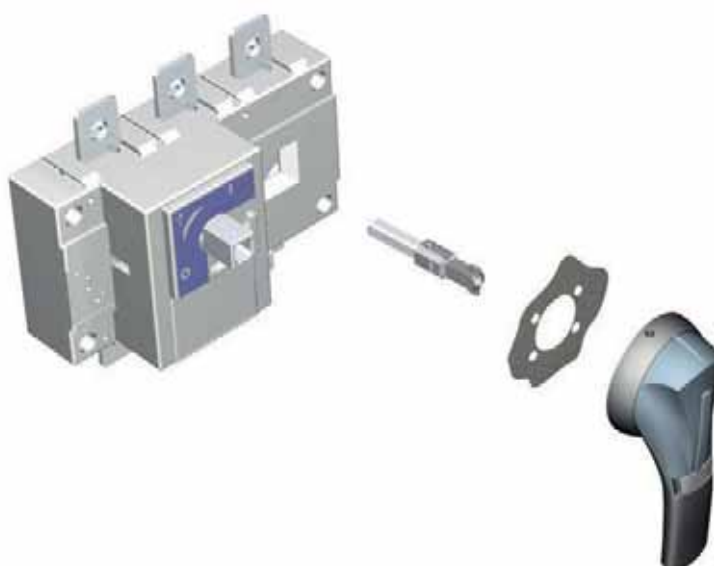
### Easy to install

The outdoors ranges are easy to install thanks to:

- A good centre-to-centre distance (up to 120 mm).
- Connection up to 6 x 185 mm<sup>2</sup>.
- Connection accessories which facilitate both flat and edgewise connections.

## What you need to know

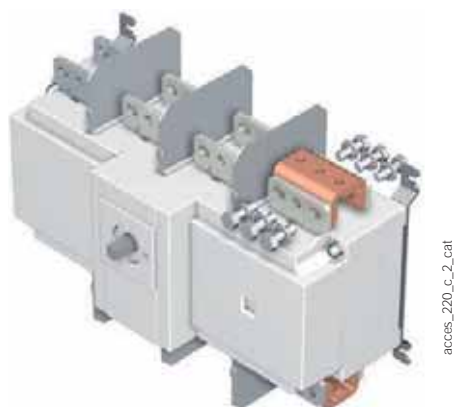
- In front **direct** or **external** operation, SIRCO is available in 3 and 4-pole versions from 125 to 5000 A.
- It can be ordered in 6 or 8-pole versions from 125 to 1600 A.
- SIRCO is available in a polyester or sheet metal enclosure from 125 to 1250 A.



sirco\_372\_b\_1\_cat

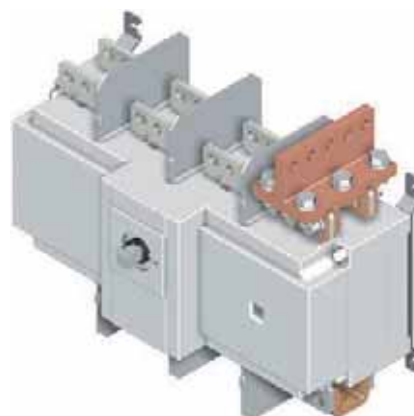
For ratings 2000, 2500 and 3200A, a copper **bar connection kit** enables the connection between the two power terminals of one pole.

**Flat connection**  
top or bottom



access\_220\_c\_2\_cat

**Edgewise connection**  
top or bottom



access\_223\_b\_2\_cat

## SIRCO - References

### Standard applications - Front operation - 3 & 4-pole

Rating (A) / Frame size	No. of poles	Switch body <sup>(1)</sup>	Direct handle	External handle	Shaft for external handle	Auxiliary contact	Terminal shrouds	Terminal screens			
125 A / B3	3 P	2600 3014	B1 type Black 2699 5042 <sup>(2)</sup> Red 2699 5043	S2 type Black IP55 1421 2111 <sup>(2)</sup> Black IP65 1423 2111 Red IP65 1424 2111	200 mm 1400 1020 320 mm 1400 1032 <sup>(2)</sup> 500 mm 1400 1050		3 P	3 P			
	4 P	2600 4014					2694 3014 <sup>(3)</sup>	2698 3012 <sup>(3)</sup>			
160 A / B3	3 P	2600 3017	B2 type Black 2699 5052 <sup>(2)</sup> Red 2699 5053				200 mm 1400 1020 320 mm 1400 1032 <sup>(2)</sup> 500 mm 1400 1050		4 P	4 P	
	4 P	2600 4017							2694 4014 <sup>(3)</sup>	2698 4012 <sup>(3)</sup>	
200 A / B4	3 P	2600 3021	C2 type Black 2799 7012 <sup>(2)</sup> Red 2799 7013				Type S4 Black IP65 1443 3111 <sup>(2)</sup> Red IP65 1444 3111	200 mm 1401 1520 320 mm 1401 1532 <sup>(2)</sup> 400 mm 1401 1540	1 <sup>st</sup> NO/NC contact 2699 0031 2 <sup>nd</sup> NO/NC contact 2699 0032	3 P	3 P
	4 P	2600 4021								2694 3021 <sup>(3)</sup>	2698 3020 <sup>(3)</sup>
250 A / B4	3 P	2600 3026	V0 type Black 2799 7072 <sup>(2)</sup>				V2 type Black IP65 2799 7136 <sup>(2)</sup> Red IP65 2799 7134	200 mm 2799 3015 320 mm 2799 3018 <sup>(2)</sup> 450 mm 2799 3019		4 P	4 P
	4 P	2600 4026								2694 4021 <sup>(3)</sup>	2698 4020 <sup>(3)</sup>
315 A / B5	3 P	2600 3032	V0 type Black 2799 7072 <sup>(2)</sup>				V2 type Black IP65 2799 7136 <sup>(2)</sup> Red IP65 2799 7134	200 mm 2799 3015 320 mm 2799 3018 <sup>(2)</sup> 450 mm 2799 3019		4 P	4 P
	4 P	2600 4032								2694 3051 <sup>(3)</sup>	2698 3050 <sup>(3)</sup>
400 A / B5	3 P	2600 3041	V0 type Black 2799 7072 <sup>(2)</sup>	V2 type Black IP65 2799 7136 <sup>(2)</sup> Red IP65 2799 7134	200 mm 2799 3015 320 mm 2799 3018 <sup>(2)</sup> 450 mm 2799 3019		4 P	4 P			
	4 P	2600 4041					2694 4051 <sup>(3)</sup>	2698 4050 <sup>(3)</sup>			
500 A / B5	3 P	2600 3051	V0 type Black 2799 7072 <sup>(2)</sup>	V2 type Black IP65 2799 7136 <sup>(2)</sup> Red IP65 2799 7134	200 mm 2799 3015 320 mm 2799 3018 <sup>(2)</sup> 450 mm 2799 3019		4 P	4 P			
	4 P	2600 4051					2694 4051 <sup>(3)</sup>	2698 4050 <sup>(3)</sup>			
630 A / B5	3 P	2600 3064	V0 type Black 2799 7072 <sup>(2)</sup>	V2 type Black IP65 2799 7136 <sup>(2)</sup> Red IP65 2799 7134	200 mm 2799 3015 320 mm 2799 3018 <sup>(2)</sup> 450 mm 2799 3019		4 P	4 P			
	4 P	2600 4064					2694 4051 <sup>(3)</sup>	2698 4050 <sup>(3)</sup>			
800 A / B6	3 P	2600 3081	V0 type Black 2799 7072 <sup>(2)</sup>	V2 type Black IP65 2799 7136 <sup>(2)</sup> Red IP65 2799 7134	200 mm 2799 3015 320 mm 2799 3018 <sup>(2)</sup> 450 mm 2799 3019		4 P	4 P			
	4 P	2600 4081					2694 4051 <sup>(3)</sup>	2698 4050 <sup>(3)</sup>			
1000 A / B6	3 P	2600 3099	V0 type Black 2799 7072 <sup>(2)</sup>	V2 type Black IP65 2799 7136 <sup>(2)</sup> Red IP65 2799 7134	200 mm 2799 3015 320 mm 2799 3018 <sup>(2)</sup> 450 mm 2799 3019		4 P	4 P			
	4 P	2600 4099					2694 4051 <sup>(3)</sup>	2698 4050 <sup>(3)</sup>			
CD 1250 A / B6	3 P	2600 3119	V0 type Black 2799 7072 <sup>(2)</sup>	V2 type Black IP65 2799 7136 <sup>(2)</sup> Red IP65 2799 7134	200 mm 2799 3015 320 mm 2799 3018 <sup>(2)</sup> 450 mm 2799 3019		4 P	4 P			
	4 P	2600 4119					2694 4051 <sup>(3)</sup>	2698 4050 <sup>(3)</sup>			
1250 A / B7	3 P	2600 3121	V0 type Black 2799 7072 <sup>(2)</sup>	V2 type Black IP65 2799 7136 <sup>(2)</sup> Red IP65 2799 7134	200 mm 2799 3015 320 mm 2799 3018 <sup>(2)</sup> 450 mm 2799 3019		4 P	4 P			
	4 P	2600 4121					2694 4051 <sup>(3)</sup>	2698 4050 <sup>(3)</sup>			
1600 A / B7	3 P	2600 3161	V0 type Black 2799 7072 <sup>(2)</sup>	V2 type Black IP65 2799 7136 <sup>(2)</sup> Red IP65 2799 7134	200 mm 2799 3015 320 mm 2799 3018 <sup>(2)</sup> 450 mm 2799 3019		4 P	4 P			
	4 P	2600 4161					2694 4051 <sup>(3)</sup>	2698 4050 <sup>(3)</sup>			
1800 A / B7	3 P	2600 3181	V0 type Black 2799 7072 <sup>(2)</sup>	V2 type Black IP65 2799 7136 <sup>(2)</sup> Red IP65 2799 7134	200 mm 2799 3015 320 mm 2799 3018 <sup>(2)</sup> 450 mm 2799 3019		4 P	4 P			
	4 P	2600 4181					2694 4051 <sup>(3)</sup>	2698 4050 <sup>(3)</sup>			
2000 A / B8	3 P	2600 3200	V0 type Black 2799 7072 <sup>(2)</sup>	V2 type Black IP65 2799 7136 <sup>(2)</sup> Red IP65 2799 7134	200 mm 2799 3015 320 mm 2799 3018 <sup>(2)</sup> 450 mm 2799 3019		4 P	4 P			
	4 P	2600 4200					2694 4051 <sup>(3)</sup>	2698 4050 <sup>(3)</sup>			
2500 A / B8	3 P	2600 3250	V0 type Black 2799 7072 <sup>(2)</sup>	V2 type Black IP65 2799 7136 <sup>(2)</sup> Red IP65 2799 7134	200 mm 2799 3015 320 mm 2799 3018 <sup>(2)</sup> 450 mm 2799 3019		4 P	4 P			
	4 P	2600 4250					2694 4051 <sup>(3)</sup>	2698 4050 <sup>(3)</sup>			
3200 A / B8	3 P	2600 3320	V0 type Black 2799 7072 <sup>(2)</sup>	V2 type Black IP65 2799 7136 <sup>(2)</sup> Red IP65 2799 7134	200 mm 2799 3015 320 mm 2799 3018 <sup>(2)</sup> 450 mm 2799 3019		4 P	4 P			
	4 P	2600 4320					2694 4051 <sup>(3)</sup>	2698 4050 <sup>(3)</sup>			
4000 A / B9	3 P	2600 3401	V0 type Black 2799 7072 <sup>(2)</sup>	V0 type Black IP65 2799 7155 <sup>(2)</sup>	200 mm 2799 3015 320 mm 2799 3018 <sup>(2)</sup> 450 mm 2799 3019	1 <sup>st</sup> /2 <sup>nd</sup> NO/NC contact included	4 P	-			
	4 P	2600 4401					2694 4051 <sup>(3)</sup>	2698 4050 <sup>(3)</sup>			
5000 A / B9	3 P	2600 3500	V0 type Black 2799 7072 <sup>(2)</sup>	V0 type Black IP65 2799 7155 <sup>(2)</sup>	200 mm 2799 3015 320 mm 2799 3018 <sup>(2)</sup> 450 mm 2799 3019	1 <sup>st</sup> /2 <sup>nd</sup> NO/NC contact included	4 P	-			
	4 P	2600 4500					2694 4051 <sup>(3)</sup>	2698 4050 <sup>(3)</sup>			

(1) Device available enclosed (see "Enclosed load break switches" page 726).

(2) Standard.

(3) Top or bottom.