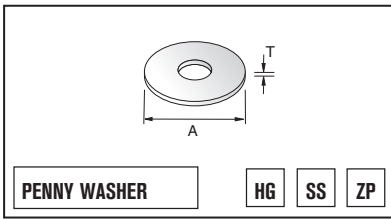
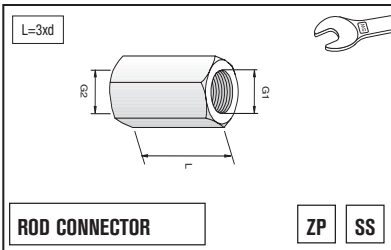


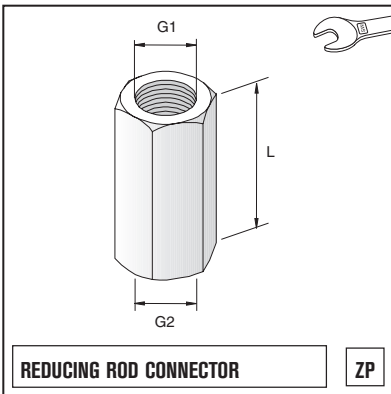
Washers & Threaded Rod Connectors



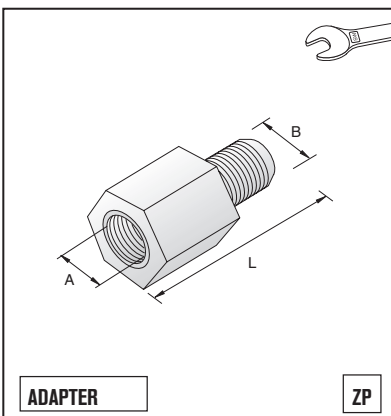
Part No. M6	Part No. M8	Part No. M10	Finish			100
			ZP	A	T	
PYWM6X25	PYWM8X25	PYWM10X25	•	25	1.5	100
PYWM6X32	PYWM8X32	PYWM10X32	•	32	1.5	100



Part No. M6			Part No. M8			Part No. M10			Part No. M12			Part No. M16			100
ZP	HG	SS	ZP	HG	SS	ZP	HG	SS	ZP	HG	SS	ZP	HG	SS	
63345M6	63343M6	63344M6	63345M8	63343M8	63344M8	63345M10	63343M10	63344M10	63345M12	63343M12	63344M12	63345M16	63343M16	63344M16	



Part No.	Finish ZP	G1	G2	SW mm	L mm	50
SPM8M10	•	M8	M10	13	30	50
SPM10M12	•	M10	M12	17	30	50



Part No.	Finish ZP	A	B	SW mm	L mm	50
310810	•	M8	M10	13	21	50
310812	•	M8	M12	13	23	50
311008	•	M10	M8	13	23	50
311012	•	M10	M12	13	23	50
311016	•	M10	M16	19	32	50
311208	•	M12	M8	17	23	50
311210	•	M12	M10	17	25	50
311216	•	M12	M16	19	32	50
311610	•	M16	M10	24	32	50
311612	•	M16	M12	24	32	50