

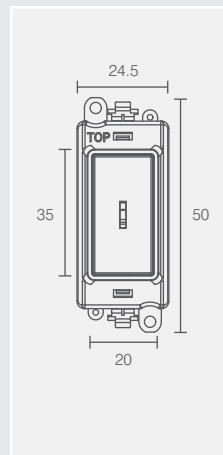


20AX 2 Way Keyswitch Modules

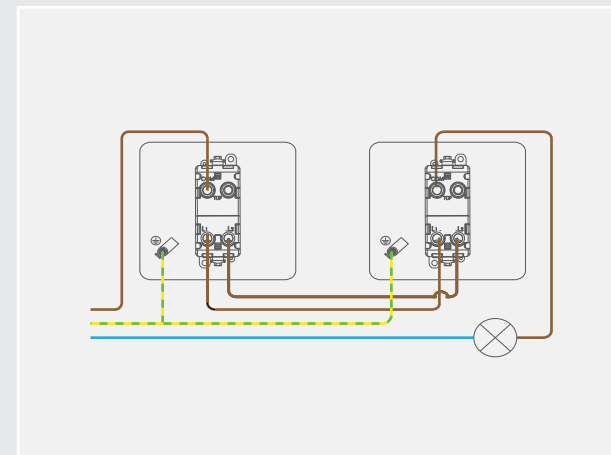
GM2003PW	20AX 2 Way Keyswitch Module - White
GM2003BK	20AX 2 Way Keyswitch Module - Black
GM2003PWBR	20AX 2 Way Keyswitch Module - White - Polished Brass
GM2003PWBS	20AX 2 Way Keyswitch Module - White - Brushed Stainless
GM2003PWCH	20AX 2 Way Keyswitch Module - White - Polished Chrome
GM2003PWP	20AX 2 Way Keyswitch Module - White - Pearl Nickel
GM2003PWSB	20AX 2 Way Keyswitch Module - White - Satin Brass
GM2003PWS	20AX 2 Way Keyswitch Module - White - Satin Chrome
GM2003PWS	20AX 2 Way Keyswitch Module - White - Stainless Steel
GM2003BKAB	20AX 2 Way Keyswitch Module - Black - Antique Brass
GM2003BKBN	20AX 2 Way Keyswitch Module - Black - Black Nickel
GM2003BKBR	20AX 2 Way Keyswitch Module - Black - Polished Brass
GM2003BKBS	20AX 2 Way Keyswitch Module - Black - Brushed Stainless
GM2003BKCH	20AX 2 Way Keyswitch Module - Black - Polished Chrome
GM2003BKPN	20AX 2 Way Keyswitch Module - Black - Pearl Nickel
GM2003BKSB	20AX 2 Way Keyswitch Module - Black - Satin Brass
GM2003BKSC	20AX 2 Way Keyswitch Module - Black - Satin Chrome
GM2003BKSS	20AX 2 Way Keyswitch Module - Black - Stainless Steel

Standards: Switch Modules: BS EN 60669-1
 Back Box Depth: 25mm Minimum Cable Size: 2 x 4mm, 3 x 2.5mm, 1 x 6mm

DIMENSIONS (mm)



TYPICAL 2 WAY SWITCHED CIRCUIT



Material Composition

Rocker Switch: Urea or Urea + Stainless Steel Cover (Ingot)
 Cover, Insert & Rear Housing: Nylon
 Terminals: Brass
 Terminal Screws: Steel & Yellow Passivated
 Silver *on-lay* Copper / Brass Contacts

Voltage

250V – 50Hz

Current Rating

20AX (suitable for inductive loads)

Terminal Size

5mm ø

Torque Value

1.2Nm

Cable Size

2 x 4mm², 3 x 2.5mm² or 1 x 6mm²

Back Box Depth

25mm - 47mm (Deco®, Deco Plus®, Mode®, Polar®) 35mm - 47mm (Define®, Definity™)

Modular

Yes

Warranty

10 Years

Antimicrobial Certified

Yes (Non Ingot Switches Only)

IP Rating

IP20

Operational Temperature

-5°C to +40°C

Standards

BS EN 60669-1:1999 + A1:2002 + A2:2008

Additional Information:

Ensure that the mains supply is isolated before commencing installation and refer to the circuit diagram supplied with the relevant product. These products are rated at 20AX; therefore all terminals should not exceed the stated amperage. Bare earth cables must always be covered with appropriate sleeving and wired to the earth terminal. All white moulded accessories are manufactured using Urea Formaldehyde, which has similar inherent properties to antimicrobial additives that inhibit the growth of infectious diseases. All products were independently tested and achieved a 99.9% kill rate across all four types of the strains of bacteria - MRSA, E-Coli, Salmonella, and Klebsiella Pneumoniae.