

Qr 5 LED Range

Fire Rated Downlights

Data Sheet



Product Information

The FireBreak Qr5 IP65 LED downlights are the perfect for downlighting any areas including bathrooms. Dimmable as standard using a range of compatible dimmers.

Complete with a 3 year warranty for your peace of mind.



Product Features

- 3 year warranty
- Class I
- IP65
- High efficiency up to 96 lumens per circuit watt
- Instant on
- Energy savings up to 94% vs 35W Halogen Lamps
- CRI: Ra>84
- Tested for Solid Timber Joists for 30, 60 and 90 minute fire rated ceilings
- Tested on for Metal web/I-Joists up to 30 minute fire rated ceilings – for more details contact KSR.
- Mains Dimmable - see www.ksrlighting.com for compatible dimmer lists
- L70 – 40,000hrs

Product Specification

Product Code	Product Description	Wattage (W)	CCT (K)	Lumens (lm)	CRI (Ra)	Energy Efficiency Class 2021	Protection Class
KSRFRD381	5w Fire Rated 4000K LED Dimmable Downlight	5	4000	550	>84	E	I
Accessories							
KSRFRD352	FireBreak Qr Chrome Detachable Bezel						
KSRFRD353	FireBreak Qr Satin Chrome Detachable Bezel						
KSRFRD354	FireBreak Qr Brass Detachable Bezel						
KSRFRD355	FireBreak Qr Black Detachable Bezel						
KSRFRD356	FireBreak Qr Converter Plate White						
KSRFRD357	FireBreak Qr Converter Plate Chrome						
KSRFRD358	FireBreak Qr Converter Plate Satin Chrome						
KSRFRD367	FireBreak Qr Satin Brass Detachable Bezel						
KSRFRD368	FireBreak Qr Copper Detachable Bezel						
KSRFRD369	FireBreak Qr Antique Brass Detachable Bezel						
KSRFRD390	FireBreak Qr Square White Detachable Bezel						
KSRFRD391	FireBreak Qr Square Chrome Detachable Bezel						
KSRFRD392	FireBreak Qr Square Satin Chrome Detachable Bezel						
KSRFRD393	FireBreak Qr Square Black Detachable Bezel						
KSRFRD394	FireBreak Qr Square Satin Brass Detachable Bezel						

Nominal voltage	220~240VAC
Operating frequency	50Hz
Ambient temperature range	-20°C~+40°C
Start time	< 0.5 sec
Beam angle	67°
IP rating	65

Product Code	Circuit Current (A)	Driver (mA)	Power Factor (PF)	In Rush Current
KSRFRD381	0.028	TBC	0.87	0.255A Max Peak

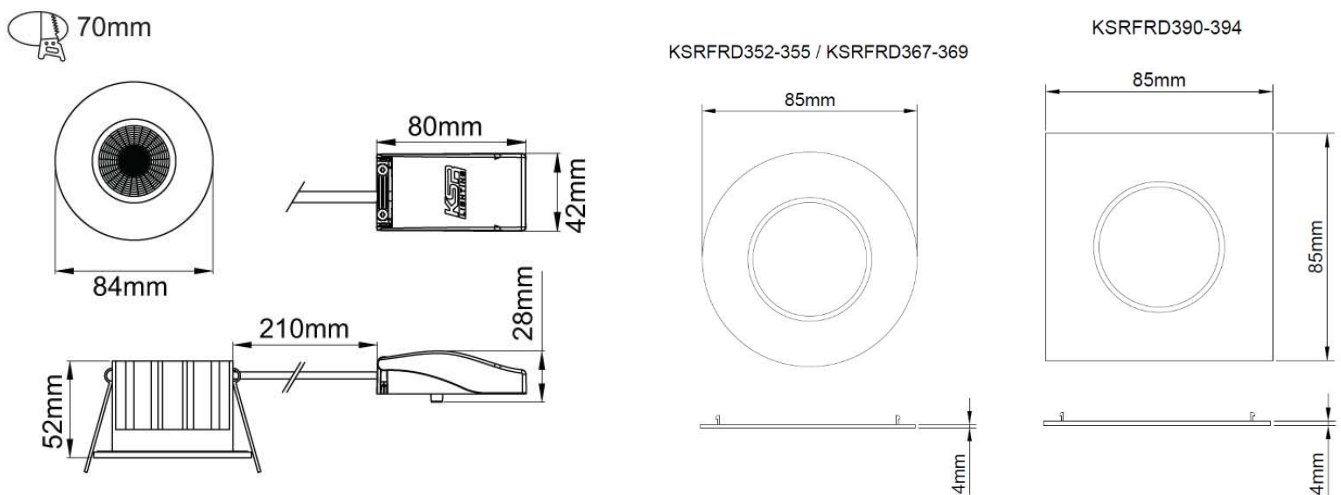
Standards

BSEN60598-1:2021 Luminaires – Part 1: General requirements and tests

In Conformity with

LVD	Low voltage directive 2014/35/EU
EMC	Electromagnetic compatibility directive 2014/30/EU
ERP	Energy related products directive 2019/2020/EU
RoHS	Restriction of hazardous substances 2015/6863/EU
Part E	Acoustic performance
Part B	Fully tested for 30, 60 and 90 minute ceiling types using Solid timber joists and 30 minute rated for I-Joist and 250mm/300mm Metal web joists to meet Part B of Building Regulations, specifically Fire Resistance Performance of a load bearing floor with downlighters BS476 : Part 21: 1987 Clause 7
Part C	Air & moisture transfer

Product Dimensions



KSR Lighting is constantly developing and improving its products. For this reason, all product descriptions in this data sheet are intended as a general guide, and KSR may change specifications from time to time in the interest of product development, without prior notification or public announcement. All descriptions in this data sheet present only general particulars of the goods to which they refer and shall not form part of any contract. Data in this guide has been obtained in controlled experimental conditions. However, KSR Lighting cannot accept any liability arising from the reliance on such data to the extent permitted.