

SIDER

Load break switches for power distribution
from 125 to 3150 A with visible breaking

Accessories (continued)

S type auxiliary contacts for signalisation - Front and right side operation

Use

Signalling of positions 0 and I,
1 to 4 NO+NC auxiliary contacts.

Connection to the control circuit

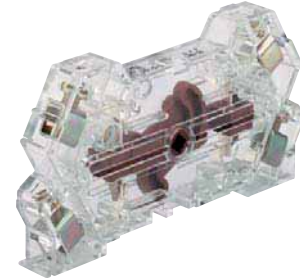
By terminals with a max. cross-section of
10 mm².

Electrical principle

The NO+NC S-type auxiliary contacts can
be configured as 2 NO or 2 NC.

Electrical characteristics

30 000 operations.



access_051_la_2_cat

NO+NC contact Rating (A)	Position AC	Reference
ND 125 ... ND 500	1	3999 0041
ND 125 ... ND 500	2	3999 0042
ND 125 ... ND 500	3	3999 0043
ND 125 ... ND 500	4	3999 0044

Characteristics

Rating (A)	Contact type	Current nominal (A)	Operating current I _e (A)	
			250 VAC	400 VAC
ND 125 ... ND 500	NO + NC	20	AC-13 10	AC-13 8

Terminal shrouds

Use

Top or bottom protection against direct
contact with terminals or connection parts.

Perforations allow remote thermographic
inspection without the need to remove the
shrouds.

Advantage

Rating (A)	No. of poles	Position	Reference
ND 125 ... ND 200	3 P	top or bottom	3998 3016 ⁽¹⁾
ND 125 ... ND 200	4 P	top or bottom	3998 4016 ⁽²⁾
ND 250 ... ND 500	3 P	top or bottom	3998 3025 ⁽¹⁾
ND 250 ... ND 500	4 P	top or bottom	3998 4025 ⁽²⁾

(1) Reference composed of 3 pieces.

(2) Reference composed of 4 pieces.



access_093_a_1_cat

Terminal screens

Use

Top or bottom protection against direct contact with terminals or connection parts.

Rating (A)	No. of poles	Position	Reference
630 ... 800	3 P	top or bottom	2998 3080
630 ... 800	4 P	top or bottom	2998 4080
1250 ... 3150	3 P	top or bottom	2998 3120
1250 ... 1600	4 P	top or bottom	2998 4120



access_058_a_1_cat

Inter-phase barrier

Use

Safe isolation between the terminals, essential for use at 690 VAC or
in a polluted or dusty atmosphere.

Rating (A)	No. of poles	Reference
630 ... 3150	3 P	2998 0003
630 ... 1600	4 P	2998 0004



access_036_a_1_cat

BS 88 - External front and side operation - 200 to 1250 A

Rating (A) Fuse size Frame size	Number of poles	Reference Switch I - 0 - TEST	Reference Changeover I - 0 - II	External front handle I - 0	TEST External front handle I - 0 - TEST	External right side handle I - 0	Changeover external front handle I - 0 - II	Shaft extensions for handle	Terminal shrouds ⁽³⁾	U type A/C ⁽²⁾	Integrated solid neutral link		
CD 200 A A3-A4 (5) 13 A	2 P	3841 2019							2 P 3998 2016		3829 9320		
	3 P	3841 3019	3880 3019						3 P 3998 3016				
	4 P	3841 6019	3880 6019						4 P 3998 4016				
200 A B1-B2 15	2 P	3841 2021		S2 type	S2 type	S2 type	S2 type	320 mm 1400 1032	2 P 3998 2025		3829 9325		
	3 P	3841 3021	3880 3021						3 P 3998 3025				
	4 P	3841 6021	3880 6021						4 P 3998 4025				
250 A B1-B2-B3 15	2 P	3841 2024		Black IP65	Black IP65	Black IP65	Black IP65						
	3 P	3841 3024	3880 3024	1423 2111 ⁽¹⁾	1423 2115 ⁽¹⁾	1425 2111 ⁽¹⁾	1422 2113 ⁽¹⁾						
	4 P	3841 6024	3880 6024	Red/Yellow IP65	Red/Yellow IP65	Red/Yellow IP65	Red/Yellow IP65						
315 A B1-B2-B3 16	2 P	3841 2031		1424 2111	1424 2115	1428 2111	1424 2113		2 P 3898 2040 3 P 3898 3040 4 P 3898 4040	1 contact NO 3999 0701	3829 9339		
	3 P	3841 3031	3880 3032 ⁽⁶⁾										
	4 P	3841 6031	3880 6032 ⁽⁶⁾										
400 A B1-B2- B3-B4 16	2 P	3841 2038								1 contact NC 3999 0702			
	3 P	3841 3038											
	4 P	3841 6038											
630 A C1-C2 17	2 P	3821 2063		S3 type					2 P 3898 2080 3 P 3898 3080 4 P 3898 4080		3829 9308		
	3 P	3821 3063										Black IP65	S3 type
	4 P	3821 6063										1433 3111 ⁽¹⁾	
800 A C1-C2-C3 17	2 P	3821 2080		Red/Yellow IP65				320 mm 1400 1232					
	3 P	3821 3080										1434 3111	Black IP65
	4 P	3821 6080											1437 3111 ⁽¹⁾
1250 A D1 18	2 P	3821 2120		S4 type					3898 2120		3829 9312		
	3 P	3821 3120		Black IP65					Red/Yellow IP65				
	4 P	3821 6120		1443 3111 ⁽¹⁾					1438 3111			3898 4120	

(1) Standard.

(2) 4 auxiliary contacts as standard without additional contact holder.

(3) Top/bottom.

(4) 8 AC as standard without support (the support is for 8 additional auxiliary contacts).

(5) For fuse size A4: max diameter 31 mm.

(6) Terminal shrouds: 3 P - 3998 3025, 4 P - 3998 4025.

BS 88 - Direct operation - 200 to 400 A

Rating (A) Fuse size Frame size	Number of poles	Reference Side direct operation	Reference Direct front operation	Side direct handle	Direct front handle	Auxiliary contacts	Terminal shrouds ⁽³⁾	Cage terminals	Handle key interlocking accessories ⁽²⁾
CD 200 A A3-A4 ⁽⁴⁾ 13 A	2 P	3625 2019	consult us	Black 3629 7901	consult us	1 contact NO/NC A-type 3999 0021 ⁽¹⁾ 2 contacts NO/NC A-type 3999 0022 ⁽¹⁾	2 P 3998 2016 3 P 3998 3016 4 P 3998 4016	3 P 5400 3016 4 P 5400 4016	3629 7913
	3 P	3625 3019	consult us						
	4 P	3625 6019	consult us						
200 A B1-B2 5	2 P	3625 2021	consult us						
	3 P	3625 3021	consult us						
	4 P	3625 6021	consult us						
250 A B1-B2-B3 5	2 P	3625 2024	consult us						
	3 P	3625 3024	consult us						
	4 P	3625 6024	consult us						
315 A B1-B2-B3 6	2 P	3625 2032	consult us						
	3 P	3625 3032	consult us						
	4 P	3625 6032	consult us						
400 A B1-B2-B3-B4 6	2 P	3625 2039	consult us						
	3 P	3625 3039	consult us						
	4 P	3625 6039	consult us						

(1) Max. 2 contacts.

(2) Lock not included.

(3) Top/bottom.

(4) For fuse size A4: max diameter 31 mm.

BS 88 - Direct operation - 630 to 1250 A

Rating (A) Fuse size Frame size	Number of poles	Reference Side direct operation	Reference Direct front operation	Side direct handle	Direct front handle	Auxiliary contacts	Terminal shrouds ⁽³⁾	Cage terminals	Handle key interlocking accessories ⁽²⁾
630 A C1-C2 17	2 P	3821 2063	3821 2063	S3 type Black 3899 7911 + 1437 3111	Black 3899 6011	1 contact NO U-type 3999 0701 ⁽¹⁾	2 P 3898 2080 3 P 3898 3080 4 P 3898 4080		
	3 P	3821 3063	3821 3063						
	4 P	3821 6063	3821 6063						
800 A C1-C2-C3 17	2 P	3821 2080	3821 2080		Black 3899 7011	1 contact NC U-type 3999 0702 ⁽¹⁾	3898 2120 3898 3120 3898 4120		
	3 P	3821 3080	3821 3080						
	4 P	3821 6080	3821 6080						
1250 A D1 18	2 P	3821 2120	3821 2120						
	3 P	3821 3120	3821 3120						
	4 P	3821 6120	3821 6120						

(1) Max. number of U-type auxiliary contacts is 8.

(2) Lock not included.

(3) Top/bottom.

NFC and DIN - External front and right side operation - 160 to 1250 A

Rating (A) / Fuse / Frame size	No. of poles	Switch I - TEST	Changeover switch I - 0 - II	External front handle	TEST external front handle	External right side handle	Changeover external front handle	Shaft for external handle	Auxiliary contacts ⁽³⁾	Terminal shrouds ⁽²⁾	Integrated solid neutral link
160 A 00 13	2 P	3831 2015								2 P 3998 2016 3 P 3998 3016 4 P 3998 4016	3829 9320
	3 P	3831 3015	3870 3015								
	4 P	3831 6015	3870 6015								
160 A 0 14	2 P	3831 2016		S2 type	S2 type	S2 type	S2 type	320 mm 1400 1032		2 P 3998 2025 3 P 3998 3025 4 P 3998 4025	3829 9325
	3 P	3831 3016 ⁽¹⁾	3870 3016								
	4 P	3831 6016 ⁽¹⁾	3870 6016								
250 A 1 15	2 P	3831 2024		Red/Yellow IP65 1424 2111	Red/Yellow IP65 1424 2115	Red/Yellow IP65 1428 2111	Red/Yellow IP65 1424 2113			2 P 3998 2025 3 P 3998 3025 4 P 3998 4025	3829 9325
	3 P	3831 3024 ⁽¹⁾	3870 3024								
	4 P	3831 6024 ⁽¹⁾	3870 6024								
400 A 2 16	2 P	3831 2038						320 mm 1400 1232	U-type 1 contact NO 3999 0701	2 P 3898 2040 3 P 3898 3040 4 P 3898 4040	3829 9339
	3 P	3831 3038 ⁽¹⁾	3870 3039 ⁽⁴⁾								
	4 P	3831 6038 ⁽¹⁾	3870 6039 ⁽⁴⁾								
630 A 3 17	2 P	3811 2063		S3 type					1 contact NC 3999 0702	2 P 3898 2080 3 P 3898 3080 4 P 3898 4080	3829 9308
	3 P	3811 3063 ⁽¹⁾									
	4 P	3811 6063 ⁽¹⁾									
800 A 3 17	2 P	3811 2080		Red/Yellow IP65 1434 3111		S3 type					
	3 P	3811 3080									
	4 P	3811 6080									
800 A 4 18	2 P	3811 2081		S4 type							
	3 P	3811 3081									
	4 P	3811 6081									
1250 A 4 18	2 P	3811 2120		Red/Yellow IP65 1444 3111						2 P 3898 2120 3 P 3898 3120 4 P 3898 4120	3829 9312
	3 P	3811 3120									
	4 P	3811 6120									

(1) Available enclosed (see "Enclosed fuse switches" page 730).

(2) Top/bottom.

(3) Maximum 4 contacts.

(4) Terminal shrouds: 3 P - 3998 3025, 4 P - 3998 4025.

NFC and DIN - Direct operation - 160 to 400 A

Rating (A) Fuse size Frame size	No. of poles	Direct side operation	Direct front operation	Direct handle	Auxiliary contacts	Terminal shrouds	Cage terminals	Lock for fuse protection cover	Handle key interlocking accessories ⁽⁵⁾	
160 A 00 3	2 P	3615 2015	consult us	Black 3629 7901 ⁽⁴⁾⁽¹⁾	A-type 1 contact NO/NC 3999 0021 ⁽²⁾	2 P 3998 2016 ⁽³⁾	3 P 5400 3016 4 P 5400 4016	3999 8912	3629 7913	
	3 P	3615 3015	consult us			3 P 3998 3016 ⁽³⁾				3999 8216
	4 P	3615 6015	consult us			4 P 3998 4016 ⁽³⁾				3999 8316
160 A 0 4	2 P	3615 2016	consult us	Black 3629 7901 ⁽⁴⁾⁽¹⁾		A-type 2 contacts NO/NC 3999 0022 ⁽²⁾	2 P 3998 2025 ⁽³⁾	3 P 5400 3025 4 P 5400 4025		3999 8225
	3 P	3615 3016	consult us				3 P 3998 3025 ⁽³⁾			3999 8325
	4 P	3615 6016	consult us				4 P 3998 4025 ⁽³⁾			3999 8425
250 A 1 5	2 P	3615 2024	consult us	Black 3629 7901 ⁽⁴⁾⁽¹⁾	A-type 2 contacts NO/NC 3999 0022 ⁽²⁾		2 P 3998 2025 ⁽³⁾	3 P 5400 3025 4 P 5400 4025		3999 8225
	3 P	3615 3024	consult us				3 P 3998 3025 ⁽³⁾			3999 8325
	4 P	3615 6024	consult us				4 P 3998 4025 ⁽³⁾			3999 8425
400 A 2 6	2 P	3615 2039	consult us	Black 3629 7901 ⁽⁴⁾⁽¹⁾		A-type 2 contacts NO/NC 3999 0022 ⁽²⁾	2 P 3998 2025 ⁽³⁾	3 P 5400 3025 4 P 5400 4025		3999 8225
	3 P	3615 3039	consult us				3 P 3998 3025 ⁽³⁾		3999 8325	
	4 P	3615 6039	consult us				4 P 3998 4025 ⁽³⁾		3999 8425	

(1) Standard.

(2) Maximum 2 contacts.

(3) Top/bottom.

(4) Direct right side operation.

(5) Locking using RONIS EL11AP lock (lock not included).

NFC and DIN - Direct operation - 630 to 1250 A

Rating (A) Fuse size Frame size	No. of poles	Direct side and front operation	Direct front handle	Direct side handle	Auxiliary contacts	Terminal shrouds			
630 A 3 17	2 P	3811 2063	Black 3899 6011 ⁽¹⁾⁽²⁾	S3 type Black 3899 7911 + 1437 3111	U-type 1 contact NO 3999 0701 ⁽⁴⁾ 1 contact NC 3999 0702 ⁽⁴⁾	2 P 3898 2080 ⁽³⁾			
	3 P	3811 3063				3 P 3898 3080 ⁽³⁾			
	4 P	3811 6063				4 P 3898 4080 ⁽³⁾			
800 A 3 17	2 P	3811 2080				Black 3899 7011 ⁽¹⁾⁽²⁾	S3 type Black 3899 7911 + 1437 3111	U-type 1 contact NO 3999 0701 ⁽⁴⁾ 1 contact NC 3999 0702 ⁽⁴⁾	2 P 3898 2120 ⁽³⁾
	3 P	3811 3080							3 P 3898 3120 ⁽³⁾
	4 P	3811 6080							4 P 3898 4120 ⁽³⁾
800 A 4 18	2 P	3811 2081	Black 3899 7011 ⁽¹⁾⁽²⁾	S3 type Black 3899 7911 + 1437 3111	U-type 1 contact NO 3999 0701 ⁽⁴⁾ 1 contact NC 3999 0702 ⁽⁴⁾				2 P 3898 2120 ⁽³⁾
	3 P	3811 3081							3 P 3898 3120 ⁽³⁾
	4 P	3811 6081							4 P 3898 4120 ⁽³⁾
1250 A 4 18	2 P	3811 2120				Black 3899 7011 ⁽¹⁾⁽²⁾	S3 type Black 3899 7911 + 1437 3111	U-type 1 contact NO 3999 0701 ⁽⁴⁾ 1 contact NC 3999 0702 ⁽⁴⁾	2 P 3898 2120 ⁽³⁾
	3 P	3811 3120							3 P 3898 3120 ⁽³⁾
	4 P	3811 6120							4 P 3898 4120 ⁽³⁾

(1) Direct front operation.

(2) Standard.

(3) Top/bottom.

(4) Maximum 8 contacts.

S and ST-type auxiliary contacts

Use

For FUSERBLOCs 32 to 1250 A, position 0 and I signalling by 1 to 4 NO + NC auxiliary contacts.

Electrical principle

The NO + NC S-type auxiliary contacts can be configured as 2 NC or 2 NO.

References

S-type auxiliary contacts 0-I for external front and right-side operation (Standard operation)				
Rating (A)	Frame size	Contact type	S-type AC Reference	Drive shaft (optional) Reference
32 ... 1250	11 ... 18	NC+NO	3999 0041 ⁽¹⁾	3999 0003

ST-type auxiliary contacts I-0-TEST for external front and right-side operation (TEST operation)					
Rating (A)	Frame size	Contact type	Description	ST-type AC Reference	Drive shaft Reference
32 ... 400	11 ... 16	NC+NO	TEST + ON	3999 0141 ⁽²⁾	3999 0103
32 ... 400	11 ... 16	2 O	TEST + ON	3999 0241 ⁽²⁾	3999 0103

(1) Drive shaft included with S-type Auxiliary Contact.

(2) Drive shaft to be ordered in addition to the ST-type Auxiliary Contact.

Characteristics

Rating (A)	Current nominal (A)	Operating current I _e (A)	
		250 VAC AC-13	400 VAC AC-13
32 ... 1250	20	10	8

Connection

By terminals with max. cross-section 10 mm².

Mechanical characteristics

30 000 operations.



access_051_a_2_cat



access_083_a_1_cat

Important:

- > For the 400 A frame size 16, an adaptation kit reference 3999 0000 must be ordered in addition to the auxiliary contact kit.

Fuse cover interlocking

Use

On NFC and DIN, side direct operation, locking of the opening of the fuse protection cover when FUSERBLOC is engaged (position I).

Rating (A)	Frame size	Fuse size	No. of poles	Reference
CD 20 ... 50	0 ... 1	10 x 38 / 14 x 51	2 / 3 / 4	included
63	2	00C	2 / 3 / 4	3999 8906
100 ... 125	3	22 x 58	2 / 3 / 4	3999 8912
125 ... 160	3	00	2 / 3 / 4	3999 8912
160	4	0	2 P	3999 8216
160	4	0	3 P	3999 8316
160	4	0	4 P	3999 8416
250	5	1	2 P	3999 8225
250	5	1	3 P	3999 8325
250	5	1	4 P	3999 8425
400	6	2	2 P	3999 8240
400	6	2	3 P	3999 8340
400	6	2	4 P	3999 8440

Terminal shrouds

Use

Top or bottom IP20 protection (on the front) against direct contact with terminals or connection parts.

Two sets required to fully shroud both incoming and outgoing terminals.

Rating (A)	Frame size	Position	No. of poles	Reference
CD 20 ... 63	0/1/2/12	top / bottom	2 / 3 / 4 P	integrated
100 ... CD 200	3/4/13/14	top / bottom	2 P	3998 2016
100 ... CD 200	3/4/13/14	top / bottom	3 P	3998 3016
100 ... CD 200	3/4/13/14	top / bottom	4 P	3998 4016
200 ... 400	5/6/15	top / bottom	2 P	3998 2025
200 ... 400	5/6/15	top / bottom	3 P	3998 3025
200 ... 400	5/6/15	top / bottom	4 P	3998 4025
315 ... 400	16	top / bottom	2 P	3898 2040
315 ... 400	16	top / bottom	3 P	3898 3040
315 ... 400	16	top / bottom	4 P	3898 4040
630 ... 800	17	top / bottom	2 P	3898 2080
630 ... 800	17	top / bottom	3 P	3898 3080
630 ... 800	17	top / bottom	4 P	3898 4080
800 ... 1250	18	top / bottom	2 P	3898 2120
800 ... 1250	18	top / bottom	3 P	3898 3120
800 ... 1250	18	top / bottom	4 P	3898 4120



fuser_314_a_1_cat

FUSERBLOC and high speed fuses (uR)

Fuse combination switches

protection of power semi-conductors up to 1250 A

FUSERBLOC for uR fuses type K/110

Characteristics

FUSERBLOC 250 A for fuse size 1* (690 VAC ⁽¹⁾)																	
Fuse rating (A)	40	50	63	80	100	125	160	200	250	315	350	400	450	500	550	630	
Max. I for the FUSERBLOC (A)	40	50	63	80	100	120	140	165	195	215	230	240	240	240	230	240	
FUSERBLOC 400 A for fuse size 1* (690 VAC ⁽¹⁾)																	
Fuse rating (A)						200	250	315	350	400	450	500	550	630	700	800	900
Max. I for the FUSERBLOC (A)						145	165	200	220	240	265	290	310	340	370	395	395
FUSERBLOC 500 A for fuse size 2* (690 VAC ⁽¹⁾)																	
Fuse rating (A)											400	450	500	550	630	700	
Max. I for the FUSERBLOC (A)											320	345	370	390	425	460	
FUSERBLOC 630 A for fuse size 2 to 690 VAC ⁽¹⁾																	
Fuse rating (A)												800	900	1000	1100	1250	
Max. I for the FUSERBLOC (A)												495	545	590	610	620	
FUSERBLOC 800 A for fuse size 3 to 690 VAC ⁽¹⁾																	
Fuse rating (A)				500	550	630	700	800	900	1000	1100	1250	1400	1500	1600	1800	2000
Max. I for the FUSERBLOC (A)				370	395	440	480	535	590	645	695	760	800	800	800	800	800

FUSERBLOC 1250 A for fuse size 3 Please consult us.

(1) For uR fuses type K/110 1250 VAC, please consult us.

References

Direct right side or front operation switch

Rating (A) / Fuse	No. of poles	Switch body	Direct side handle	Direct front handle	Fuse protection covers	Auxiliary contact pre-break and signalisation	Terminal shrouds
250 A / 1*	2 P	36U1 2024	Black 3629 7901		2 P 3990 2839 ⁽¹⁾ 3 P 3990 3839 ⁽¹⁾	1 contact NO/NC 3999 0021	2 P 3998 2025 3 P 3998 3025
	3 P	36U1 3024					
400 A / 1	2 P	36U1 2039					
	3 P	36U1 3039					
500 A / 2	2 P	38U1 2050	Black 1437 7911	Black 3899 6011	2 P 3890 2U63 ⁽¹⁾ 3 P 3890 3U63 ⁽¹⁾	1 contact NC 3999 0701 1 contact NO 3999 0702	2 P 3898 2080 3 P 3898 3080
	3 P	38U1 3050					
630 A / 2	2 P	38U1 2063					
	3 P	38U1 3063					
800 A / 3	2 P	38U1 2080					
	3 P	38U1 3080					
1250 A / 3	2 P	38U1 2120	Black 3899 7011	Standard			3898 2120
	3 P	38U1 3120					3898 3120

(1) Terminal shrouds for FUSERBLOC fitted fuse blown microswitch.

References (continued)

External right side or front operation

Rating (A) / Fuse	No. of poles	Switch body	External front handle	External side handle	Shaft for external handle	Fuse protection covers	Auxiliary contact pre-break and position	Terminal shrouds						
250 A / 1*	2 P	38U1 2024	S2 type Black IP55 1421 2111 S2 type Red IP65 1424 2111	S2 type Black IP55 1425 2111 S2 type Red/yellow IP65 1428 2111	320 mm 1400 1032	2 P 3990 2839 ⁽¹⁾ 3 P 3990 3839 ⁽¹⁾		2 P 3998 2025 3 P 3998 3025						
	3 P	38U1 3024												
400 A / 1	2 P	38U1 2039												
	3 P	38U1 3039												
500 A / 2	2 P	38U1 2050							Type S3 Black IP65 1433 3111 S3 type Red/Yellow IP65 1434 3111	S3 type Black IP65 1437 3111 S3 type Red/Yellow IP65 1438 3111	320 mm 1400 1232	2 P 3890 2U63 ⁽¹⁾ 3 P 3890 3U63 ⁽¹⁾	1 contact NC 3999 0701 1 contact NO 3999 0702	2 P 3898 2080 3 P 3898 3080
	3 P	38U1 3050												
630 A / 2	2 P	38U1 2063												
	3 P	38U1 3063												
800 A / 3	2 P	38U1 2080												
	3 P	38U1 3080												
1250 A / 3	2 P	38U1 2120	S4 type Black IP65 1443 3111 S4 type Red/Yellow IP65 1444 3111			Standard		2 P 3898 2120 3 P 3898 3120						
	3 P	38U1 3120												

(1) Terminal shrouds for FUSERBLOC fitted fuse blown microswitch.

Accessories

Terminal shrouds for FUSERBLOC fitted fuse blown microswitch

Use

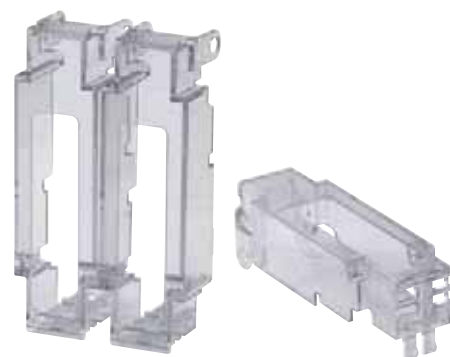
Protection against direct contact with live parts situated in the fuse compartment for FUSERBLOC fitted with uR fuses with fuse blown auxiliary contacts.

Rating (A)	Fuses ⁽³⁾	No. of poles	Option ⁽²⁾	Accessories ⁽¹⁾
			(factory mounted)	(customer-mounted)
			Reference	Reference
250... 400	1* / 1	2 P	3990 2839	3999 2839
250... 400	1* / 1	3 P	3990 3839	3999 3839
500 ... 800	2 / 3	2 P	3890 2U63	3899 2U63
500 ... 800	2 / 3	3 P	3890 3U63	3899 3U63
500 ... 800	2 / 3	2 P	3890 2U63	3899 2U63
1250	3	2 P	Standard	Standard
1250	3	3 P	Standard	Standard

(1) If ordered later.

(2) If ordered at the same time as the standard device.

(3) For the fuses: see "Fuses uR 10 to 2000 A" page 354.



access_221_a

Other accessories: see "FUSERBLOC" page 264.

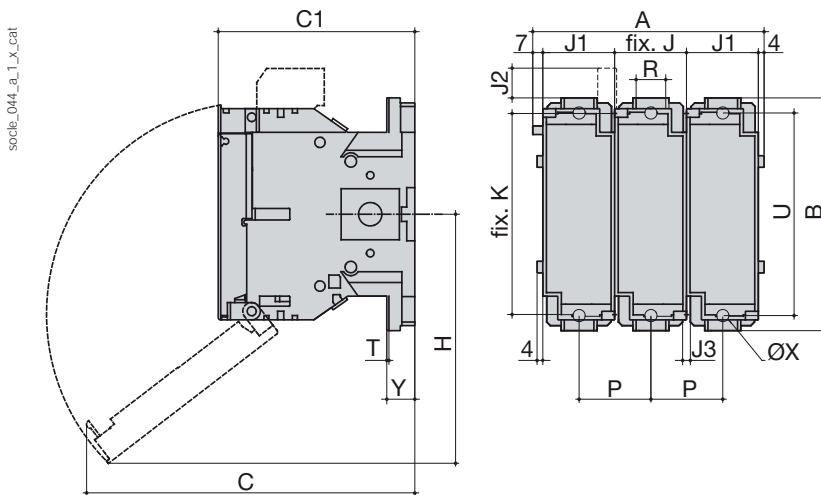
References

Multipolar fuse bases for fuses with a striker from 160 to 400 A (U = 690 V)

Rating Fuse size	160 A 0	250 A 1	400 A 2
Back plate mounted device with presence and fuse blown signalling AC (DDMM)			
No. of poles	Reference	Reference	Reference
2 P	6301 2016	6301 2024	6301 2039
3 P	6301 3016	6301 3024	6301 3039
4 P	6301 4016	6301 4024	6301 4039
Auxiliary contacts for fuse blown indication			
AC position	Reference	Reference	Reference
1 st AC	included	included	included
2 nd	3994 1901	3994 1901	3994 1901
Terminal shrouds (1 piece)			
No. of poles	Reference	Reference	Reference
2 P	3998 2016	3998 2025	3998 2025
3 P	3998 3016	3998 3025	3998 3025
4 P	3998 4016	3998 4025	3998 4025

Dimensions

160 to 400 A fuse base, size 0



Rating (A)	Fuse size	A 2 p.	A 3 p.	A 4 p.	B	C	C1	H	J	J1	J2	J3	K	P	R	T	U	ØX	Y
160	0	111	161	211	162	229	136.5	174	50	60	20.5	5.4	140	50	20	2.5	141	8.5	19.5
250	1	131	191	251	195	251	146	185	60	60	7.5	6.4	162	60	32	2.5	166	11	19.5
400	2	143	209	275	205	260	149	200	66	66	2.5	6.4	172	66	50	3	175	11	20