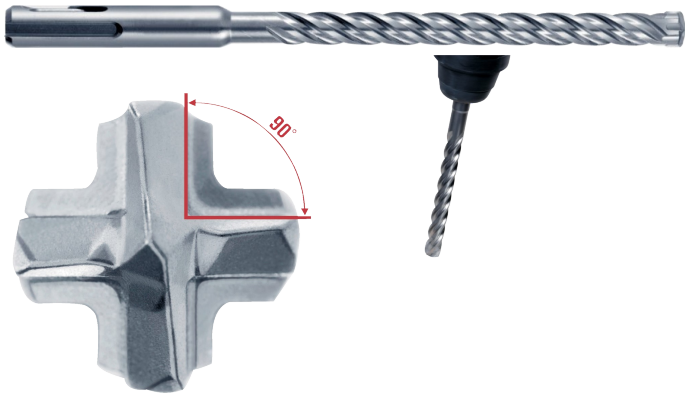




# SDS+ hammer drill bit XTRÊME 4 cutter 5 x 160 mm

*Ideal for reinforced concrete!*



## Characteristics

Ø (mm) : **5**  
 Total length (mm) : **160**  
 Useful length (mm) : **100**

## Benefits

- One-piece carbide tip with four cutting edges.
- Centering point.
- Quadruple helix and cylindrical body for quick removal of dust.

## Materials

- ✓ Solid materials
- ✓ Hollow materials
- ✓ Concrete
- ✓ Reinforced concrete
- ✓ Cellular concrete
- ✓ Hollow brick
- ✓ Solid brick
- ✓ Stone
- ✓ Granit

## LOGISTIC INFORMATION

### Packaging



#### Hanger clip

Height (cm) : 0,9  
 Length (cm) : 22  
 Depth (cm) : 3,5  
 Net weight (kg) : 0,043  
 Gross weight (kg) : 0,048



### Outer package 1



#### Carton box

Height (cm) : 18  
 Length (cm) : 36  
 Depth (cm) : 30  
 Net weight (kg) : 12,9  
 Gross weight (kg) : 15,027

