

**COMMODORE CIRCULAR AND ROYAL TRIANGULAR  
2.5W COB LED, 240V, IP20, CABINET LIGHTS**

These cabinet lights provide an excellent replacement for traditional G4 Halogen lamped fittings which require constant replacement of lamps. Available in circular or triangular, they not only look superb, but allow extended operation times due to the low power consumption used compared to traditional G4 Halogen



**Applications:**

- Inside cabinet displays
- Under or on top of wall cabinet's
- Recessed in stair strings or risers
- Kitchen kick boards
- Reception desk lighting
- Bedroom wardrobes
- Bar shelving

**Construction:**

Carbon steel and aluminium housing  
White / Brushed chrome powder coating finish  
Polycarbonate diffuser  
Carbon steel bracket  
FR4 laminate PCB

**Features:**

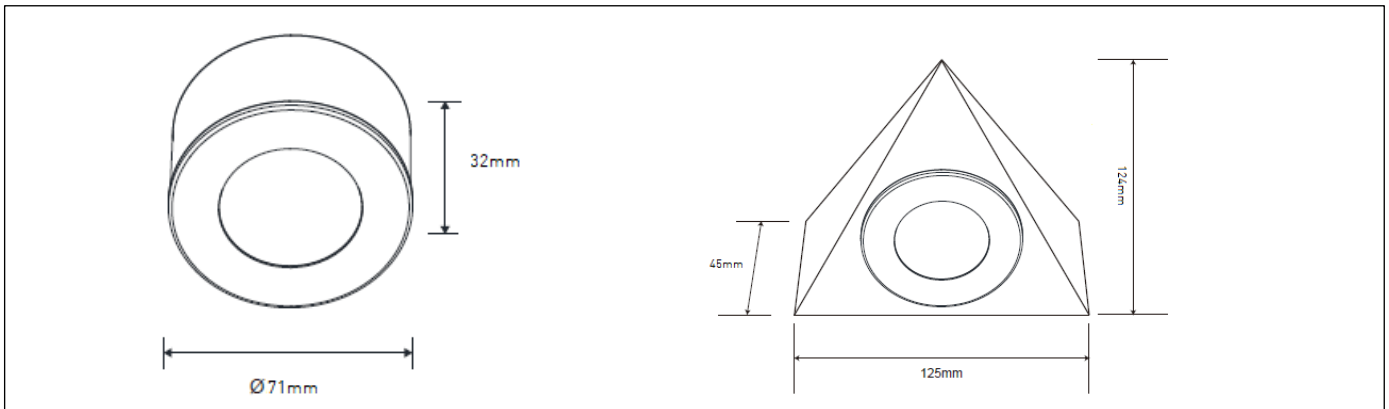
- Manufactured from high quality carbon steel and aluminium with White or Brushed Chrome powder coat finish
- Circular or Triangular shape options
- Warm white or Neutral white colour temperature options
- Utilises high quality LM80, Chip on Board LED technology
- Wide ambient temperature operating range
- No ultra violet or infra-red in the light beam
- Cool running
- Driver integral to the fitting and pre-wired with 1m of 3 core flex
- Detachable mounting base
- Pre-formed base mounting holes

**Benefits:**

- Excellent aesthetics to enhance the look of any installation
- Strong and durable and won't easily chip if knocked
- Choice of colour finish to match or contrast most decors
- Provides a choice of shape to best suit the installation
- The light colour can be chosen to compliment the colour and type of items displayed
- Provides excellent light output comparable to 20W G4 Halogen
- Uses only 2.5 watts of power for low running costs
  - Amazingly, around €/£ 0.60 per year @ 5 hours/day, 365 days/year
- High efficacy of 83lm/cctW
- Low running temperature for long life of Halogen
  - Around 10 times the life of G4 Halogen
- The fittings will operate in areas that are kept cold or hot such as display cases for items that may deteriorate if exposed to low or high ambient temperatures
- Will not fade or damage sensitive display items
- Will not burn if touched by children or those with sensitive skin
- No control gear to mount or hide as with G4 Halogen
- Direct to mains connection for fast and simple installation
- The head can be semi-recessed, or surface mounted in the base
- Provides quick and easy installation

**COMMODORE CIRCULAR AND ROYAL TRIANGULAR  
2.5W COB LED, 240V, IP20, CABINET LIGHTS**

Product Code:	Circular		Triangular		
	White: Brushed Chrome:	RCD2P530-01 RCD2P530-13	RCD2P540-01 RCD2P540-13	NA RYA2P530-13	NA RYA2P540-13
Comparable to:		20W halogen	20W halogen	20W halogen	20W halogen
Total Power (W):		2.5	2.4	2.5	2.4
Total Light Output (lm):		190	210	190	210
Efficacy (lm / cctW):		83	88	83	88
Rated Life (hrs):		30,000	30,000	30,000	30,000
Warranty (yrs):		3	3	3	3
Illuminance at 1m (lux):		77	79	77	79
Beam Angle (deg):		110	110	110	110
CCT (K):		3,000	4,000	3,000	4,000
CRI (Ra):		80	80	80	80
Ingress Protection (IP):		20	20	20	20
Operating Temperature (° C):		-20 ≤ Ta ≤ +40	-20 ≤ Ta ≤ +40	-20 ≤ Ta ≤ +40	-20 ≤ Ta ≤ +40
Power Factor (PF):		0.9	0.9	0.9	0.9
Height (mm):		32	32	45	45
Diameter (mm):		71	71	124	124
Cut out (mm):		55	55	125	125
Box Qty:		1	1	1	1
Weight (kg):		0.17	0.17	0.19	0.19



**Standards & Approvals:**

Complies with: EN 55015, EN 61000-3-2, EN 61000-3-3, EN 61547, EN 60598-1, EN 6058-2-1, EN 62471, EN 62493



**Cone Illuminance Diagram:**

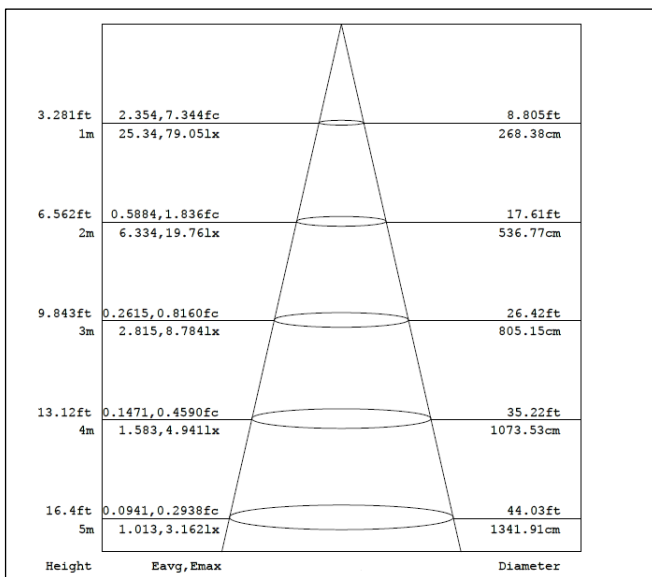


Diagram for RCD2P540-xx in 4,000K. Other diagrams available on request

**Polar Intensity Diagram:**

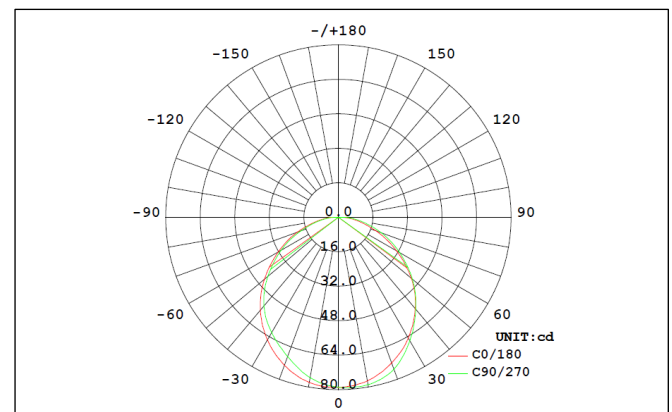


Diagram for RCD2P540-xx in 4,000K. Other diagrams available on request