

Siena Slim CCT LED Range

Exterior Bulkheads



Data Sheet

Product Information

The Siena Wall Pack Slim range of CCT LED bulkheads are available in three versions - standard, photocell or emergency. All versions are available in either Black or White. Integral driver and switchable 15W CCT LED choose between 3000K, 4000K or 6000K.

Complete with a 2 year warranty.



Product Features

- 2 year warranty
- IP65
- Class II
- IK10
- 15W
- Switchable CCT LED
- 3000K/4000K/6000K
- Suitable for High Saline areas
- Non Dimmable
- Emergency version
- Integrated Photocell version
- L70 – 30,000hrs

Product Specification

Product Code	Product Description	Wattage (W)	Lumens (lm)	CRI (Ra)	CCT (K)	Energy Efficiency Class 2021	Protection Class
KSR1173	Siena Slim 15W Triple CCT LED Wall Pack	15	1013	>83	3000K 4000K 6000K	F	II
			1143				
			1043				
KSR1174	Siena Slim 15W Triple CCT LED Wall Pack with Photocell	15	1013	>83	3000K 4000K 6000K	F	II
			1143				
			1043				
KSR1175	Siena Slim 15W Triple CCT LED Emergency Wall Pack	15	1013	>83	3000K 4000K 6000K	F	II
			1143				
			1043				

Nominal voltage	240V
Operating frequency	50Hz
IP rating	65
Start time	<0.5 sec
IK Rating	10
Photocell	
Lux Setting	On <30 lux – Off >70 lux

Construction

Body: ABS (Acrylonitrile Butadiene Styrene)
 Diffuser: PC (Polycarbonate) Opal

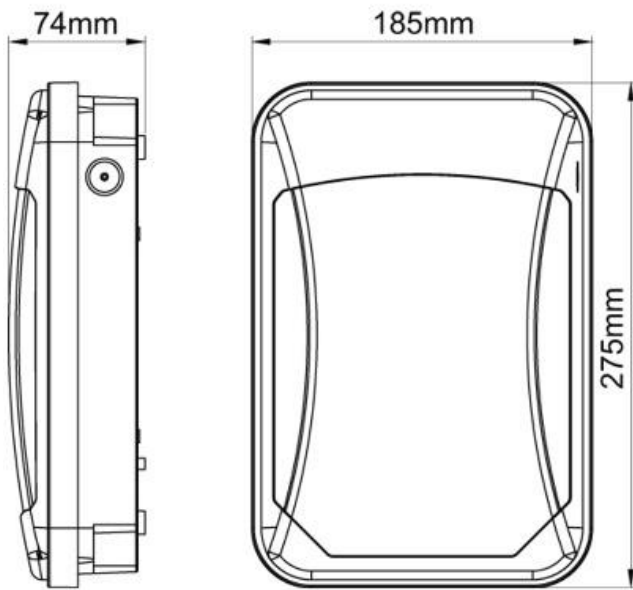
Standards

BSEN60598-1:2021 Luminaires – Part 1: General requirements and tests

In Conformity with

LVD Low voltage directive 2014/35/EU
 EMC Electromagnetic compatibility directive 2014/30/EU
 ERP Energy related products directive 2019/2020/EU
 RoHS Restriction of hazardous substances 2015/863/EU

Product Dimensions



KSR Lighting is constantly developing and improving its products. For this reason, all product descriptions in this data sheet are intended as a general guide, and KSR may change specifications from time to time in the interest of product development, without prior notification or public announcement. All descriptions in this data sheet present only general particulars of the goods to which they refer and shall not form part of any contract. Data in this guide has been obtained in controlled experimental conditions. However, KSR Lighting cannot accept any liability arising from the reliance on such data to the extent permitted.