



Available Finishes: White or Black

Read these instructions before commencing installation. Please give these instructions to the owner/occupier after installation to retain for future reference/maintenance.

IP20 240VAC~50Hz 5A

Important Information

It is recommended that the track system is installed and fitted by a qualified electrician ensuring the installation complies to current IEE wiring regulations & local building control. These products are designed for use with the Escala Pro single circuit track system only. Any damaged parts should be replaced as soon as possible. KSR will not accept responsibility for any claims arising from a sub-standard installation.

Important User Advice

Always switch off mains supply before installing or servicing. This product is designed to be used indoors only.

Installation Procedure

Familiarize yourself with the way the adaptor attaches to the track and ensuring the correct polarity. KSR recommend to insert the adaptor into track with the locking tab opposite the Live side (shown by the line on the track) then turn the adaptor clockwise until the locking tab locks into the track, never force the adaptor. Visual confirmation that the adaptor is located correctly is that the arrows on the locking tab should point towards the Live side of the track (shown by the line on the track) see Fig.1. Make sure the locking tab is located in the locked position.

Warning: Never fit the adaptor in to the track with exposed cables.

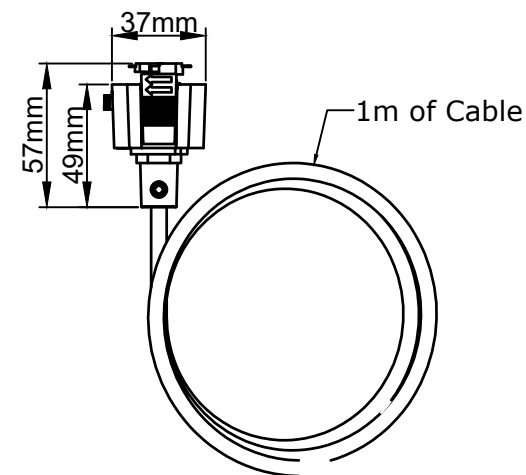
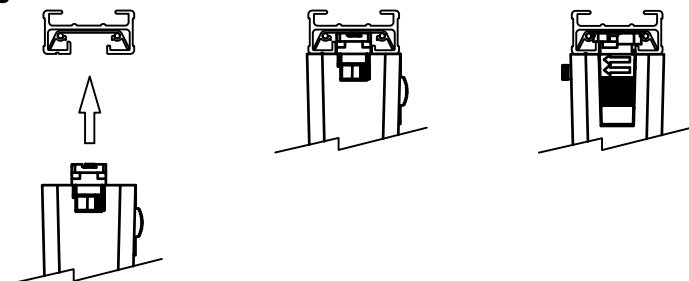
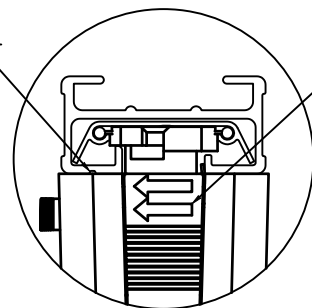


Fig. 1



Live Line



Locking Tab Arrows to point to Live side



KSR Lighting Aftersales: 023 92 674343
E-mail: aftersales@ksrlighting.com