

Product Data Sheet

Astro FRA Socket Box Insert

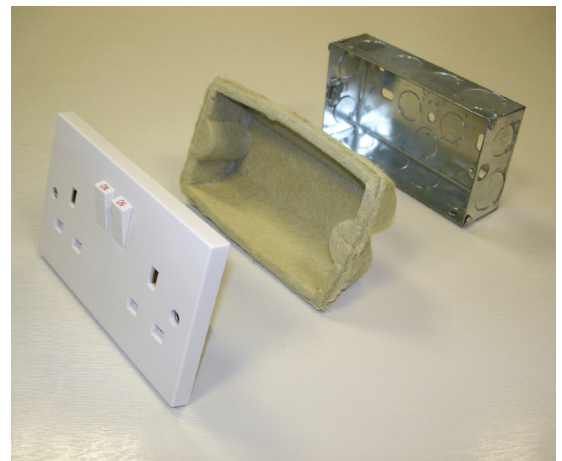
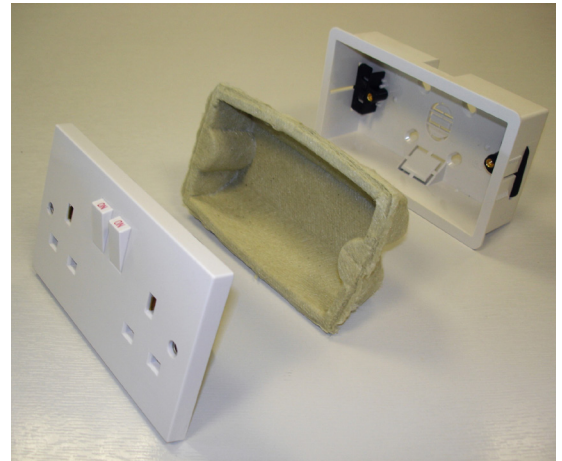
Revision 11 - 22nd June 2022



Astro FRA Socket Box Insert

Fire & Acoustic Internal Socket Box Insert

- BS EN 1366-3 Fire Tested.
- Fire Ratings of EI30, EI60, EI90 and EI120.
- Tested in Single Layer & Double Layer Partition Systems.
- Tested in 75mm thick walls and greater.
- Tested in “Twin Wall” Fire & Acoustic Partitions.
- Acoustically Tested / Limits Air Leakage.
- Back to Back tested in many applications.
- Suitable and tested for both plastic pattress boxes and metal back boxes.
- Available for single and double boxes (35mm and 47mm Depths available).
- Tested with multiple cable penetrations.
- Pre-formed for easy installation – can be installed in seconds without assembly or adhesives.
- No maintenance required.
- Mess free installation – no need for adhesives, screws or drilling.
- Can be retrofitted.



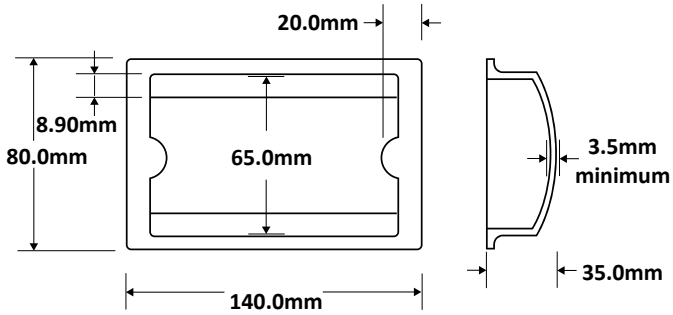
Product Description

Astroflame’s Socket Box Inserts, are manufactured from halogen free, low smoke, fire resistant, mineral fibre material and are designed to maintain the fire performance of partition (stud) wall constructions when penetrated by steel or plastic electrical back boxes. The insert will also provide resistance to the passage of sound and air movement.

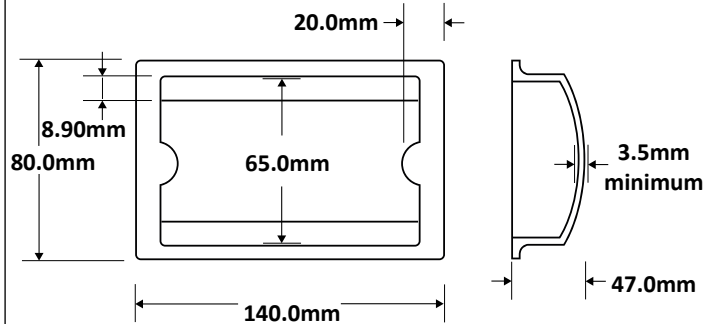
In the event of a fire the Socket Box Inserts mineral fibre material will prevent the fire passing through the electrical back box aperture, providing effective fire resistance, for integrity (E) and insulation (I) from 30 to 120 minutes (EI30 to EI120) depending upon the wall construction.

Product Description

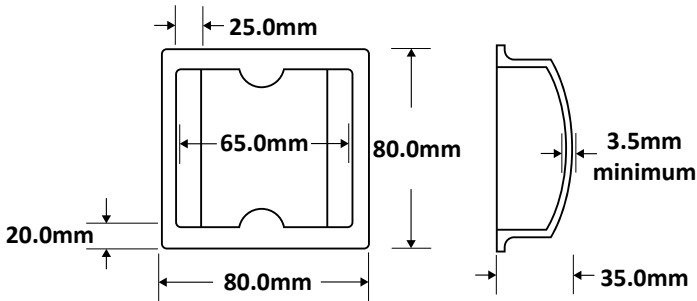
Socket Box Insert measurements (in mm):



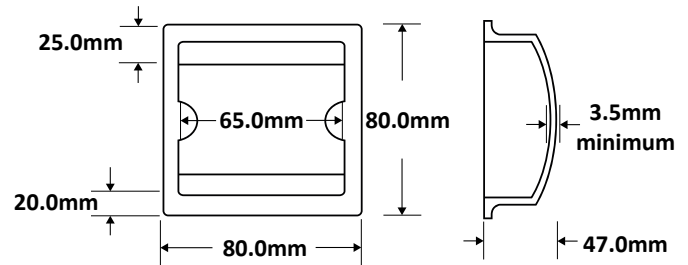
FRA Socket Box Insert Double
35mm Deep (AFFRASOCDIN)



FRA Socket Box Insert Double
47mm Deep (AFFRASOCDINX)



FRA Socket Box Insert Single
35mm Deep (AFFRASOCSIN)



FRA Socket Box Insert Double
47mm Deep (AFFRASOCSINX)

Product Availability

Available in:

- Standard Depth - 35mm deep
- or Extra Deep - 47mm deep

Product Code	Product Description	Depth
AFFRASOCSIN	Astro FRA Socket Box Insert Single	35mm
AFFRASOCDIN	Astro FRA Socket Box Insert Double	35mm
AFFRASOCSINX	Astro FRA Socket Box Insert Single Extra Deep	47mm
AFFRASOCDINX	Astro FRA Socket Box Insert Double Extra Deep	47mm

To Order & Specify

Please contact us and quote the following information - Quantity / Product Code / Product Description / Size
Typical example:- 10 / AFFRASOCSIN / Astro FRA Socket Box Insert Single / Single

>> Tel: [01329 844 500](tel:01329844500) or >> Email: sales@astroflame.com

Installation

We have technical representatives who provide assistance in the selection and specification of the products on this site and should be consulted for exact installation and product suitability. Ensure an early engagement with ourselves, designers, main contractor and specialist installers before any installation. Other trades and/or manufacturers may need to be consulted. For in-depth information, specification and technical advice please call our Head Office on tel [01329 844 500](tel:01329844500) or email sales@astroflame.com

Maintenance

All interested parties, designer, specifier, main contractor and specialist installers should provide access to allow the fire stopping seals to be regularly inspected and maintained, as well as records kept of such maintenance at minimum periods of 12 months, as required by the Regulatory Reform Order, and repaired if necessary. Reference should be made to ASFP TGD 17 – Code of Practice for the Installation and Inspection of Fire Stopping.

Competency

It is vital that those entrusted to design or install a fire stopping product have the necessary levels of competence to undertake the task professionally and thoroughly. The level of competency required will be commensurate with the expected complexity of the building. All designers must eliminate, reduce or control foreseeable risks that may arise during installation, construction or maintenance when preparing or modifying designs. Clients should ensure that the principal designer and principal contractor carry out their duties under CDM regulations. The ASFP foundation course in passive fire protection provides essential knowledge as part of demonstrating competency and understanding in this key fire protection specialism.

Additional Notes

For further information on installation requirements please refer to the socket box manufacturer data and wall specification to ensure the compatibility of this product, if in doubt please contact the technical team with services and wall specification on: T: [01329 844 500](tel:01329844500) or E: sales@astroflame.com

Health and Safety

Please see (SDS) Safety Data sheet - This can be requested from our sales team T: [01329 844 500](tel:01329844500) or E: sales@astroflame.com

As part of our policy of ongoing improvements, we reserve the right to modify, alter or change product specifications without giving notice. Product illustrations are representations only. All information contained in this document is provided for guidance only, and as ASTROFLAME (FIRE SEALS) LTD has no control over the specific application or installation methods of the products, or of the prevailing site conditions, no warranties expressed or implied are intended to be given as to the actual performance of the products mentioned or referred to, and no liability whatsoever will be accepted for any loss, damage or injury arising from the use of the information given of products mentioned or referred to herein.

The above information to the best of our knowledge is true and accurate and based upon current test data and is supplied for your guidance only. Customers should satisfy themselves to the suitability of the product based on the products limitation of applications and that the product is fit for purpose for their intended use and no guarantee is given or implied since the conditions of actual use are beyond our control. ASTROFLAME (FIRE SEALS) LTD, disclaim any liability for loss, damage or other expense arising from the use of information, data or products mentioned or referred to and reserve the right to change any details or specifications without notice. If you are in any doubt as to the suitability of this product for your intended application please contact our technical team on 01329 844500 or email sales@astroflame.com and we will contact you.