



JUPITER

HIGH EFFICIENCY AREA FLOODLIGHTS

7 YRS
GUARANTEE

30-320
WATT

4000K

IP65

LED

110V-
277V

IK07

2 YEAR ON-SITE WARRANTY



Jupiter is a new generation of area floodlights that offers exceptional energy savings and outstanding performance, with an efficacy of 140lm/W as standard. This delivers savings of up to 40% compared with many other LED floodlights. The ultra-sleek die cast body is fitted with a multi-voltage driver, allowing Jupiter to be used for site lighting as well as 277V supply applications.

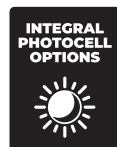
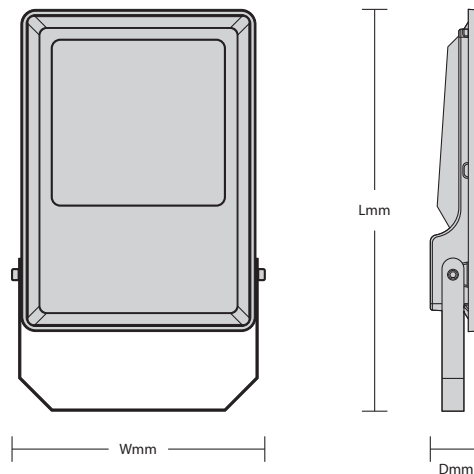
Features

- Ultra-sleek yet robust design
- High efficiency 140lm/W – saves energy
- Multi-voltage driver, suitable for 110V & 277V supply
- Photocell option for every version
- Pre-wired with 1m cable for convenient installation

Specification

Material:	Body: Die-cast Aluminium Lens: Tempered Glass
Colour Temperature:	4000K
Colour Finish:	Black
Beam Angle	110° Symmetric
CRI	Ra>70
LED Lifetime:	L70B50 50,000 Hrs
IP Rating:	IP65
IK Rating:	IK07
Working Temperature:	-30°C to 45°C
Power Factor	0.95
Electrical Class:	Class: I
Guarantee:	7 Years

Dimensions

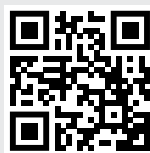
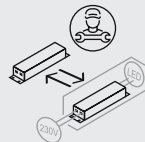
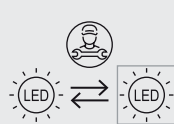
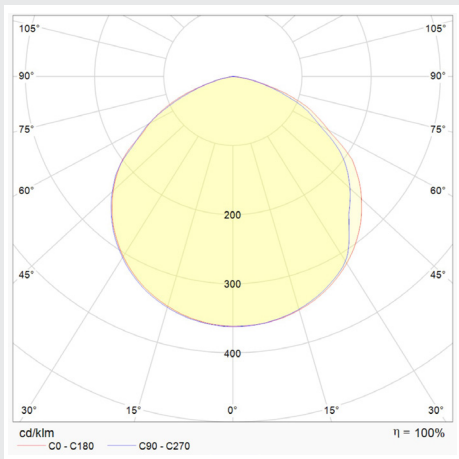


Product Code	Description	Wattage	Lumen Output	Efficacy	Dimensions	Weight (Kg)	Barcodes
JUPS30-40	Jupiter Flood	30W	4200 lm	140 lm/W	L: 257 x W: 247 x D: 50mm	1.3	5055807624923
JUPS50-40	Jupiter Flood	50W	7000 lm	140 lm/W	L: 257 x W: 247 x D: 50mm	1.4	5055807624930
JUPS100-40	Jupiter Flood	100W	14000 lm	140 lm/W	L: 325 x W: 236 x D: 48mm	1.8	5055807624947
JUPS135-40	Jupiter Flood	135W	18900 lm	140 lm/W	LL: 345 x W: 285 x D: 55mm	2.2	5055807624954
JUPS180-40	Jupiter Flood	180W	25200 lm	140 lm/W	L: 395 x W: 320 x D: 78mm	3.2	5055807624961
JUPS240-40	Jupiter Flood	240W	33600 lm	140 lm/W	L: 480 x W: 374 x D: 78mm	4.2	5055807624978
JUPS320-40	Jupiter Flood	320W	44800 lm	140 lm/W	L: 555 x W: 425 x D: 78mm	5.6	5055807624985
JUPS30PC-40	Jupiter Flood c/w Photocell	30W	4200 lm	140 lm/W	L: 257 x W: 247 x D: 50mm	1.3	5055807624992
JUPS50PC-40	Jupiter Flood c/w Photocell	50W	7000 lm	140 lm/W	L: 257 x W: 247 x D: 50mm	1.4	5055807625005
JUPS100PC-40	Jupiter Flood c/w Photocell	100W	14000 lm	140 lm/W	L: 325 x W: 236 x D: 48mm	1.8	5055807625012
JUPS135PC-40	Jupiter Flood c/w Photocell	135W	18900 lm	140 lm/W	L: 345 x W: 285 x D: 55mm	2.2	5055807625029
JUPS180PC-40	Jupiter Flood c/w Photocell	180W	25200 lm	140 lm/W	L: 395 x W: 320 x D: 78mm	3.2	5055807625036
JUPS240PC-40	Jupiter Flood c/w Photocell	240W	33600 lm	140 lm/W	L: 480 x W: 374 x D: 78mm	4.2	5055807625043
JUPS320PC-40	Jupiter Flood c/w Photocell	320W	44800 lm	140 lm/W	L: 555 x W: 425 x D: 78mm	5.6	5055807625050

Maximum Fittings Per Circuit

Automatic Circuit Breaker Type:	B6	B10	B13	B16	B20	C10	C13	C16	C20
Rated Current:	6A	10A	13A	16A	20A	10A	13A	16A	20A
Cable (mm):	1.5	1.5	1.5	2.5	2.5	1.5	1.5	2.5	2.5
JUPS30-40/JUPS30PC-40	29	52	61	75	95	52	61	75	95
JUPS50-40/JUPS50PC-40	17	30	37	46	58	30	37	46	58
JUPS100-40/JUPS100PC-40	8	14	18	22	28	14	18	22	28
JUPS135-40/JUPS135PC-40	6	9	12	15	18	9	12	15	18
JUPS180-40/JUPS180PC-40	4	6	8	9	12	7	9	11	14
JUPS240-40/JUPS240PC-40	3	5	7	8	10	6	7	9	12
JUPS320-40/ JUPS320PC-40	1	2	2	3	4	3	4	5	6

Light Distribution Curve



www.redarrowelectrical.co.uk

ENERGY
Red Arrow
 Jupiter

30-230
 kWh/1000h