

Datasheet

SLOANE 2.0



Product Description

A spherical luminaire with an effective light distribution, SLOANE 2.0 is ideal for large area amenity applications

Specification Text

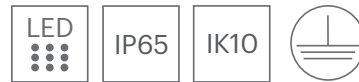
The luminaire shall be manufactured from high-pressure Polycarbonate. It shall have an LED efficacy of up to 73.0 lm/W and will be capable of producing up to 4,005 luminaire lumens at 4000K with a CRI >70. It shall have an asymmetric forward throw optic and is rated at IP65 and IK10.

Specification

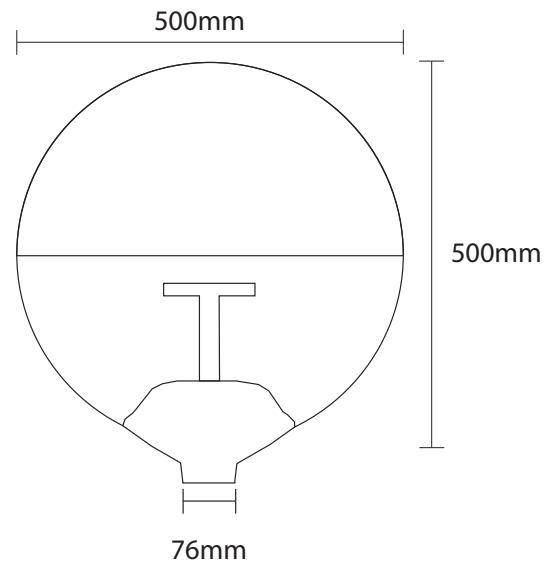
Weight: 12.5 - 12.6kg
 Windage: 0.17m²
 Material: Polycarbonate
 Paint finish: RAL7016 Anthracite Grey Finish

Key Features

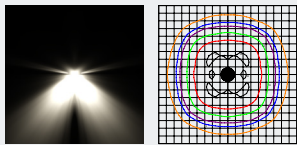
- 35.0 - 55.0W
- 2,520 - 4,005 Luminaire Lumens
- Efficacy up to 73.0 lm/W
- 4000K, CRI >70
- Lifetime >50,000hr, L70



Dimensions



Optics



Symmetrical

Code	Power	Luminaire Lumens	Drive Current	Optic	CCT(K)	IP	IK	Weight kg	Paint Finish	Driver Included	Driver Type
SLOA35F	35.0	2,520	700	Symmetrical	4000	IP65	IK10	12.5	RAL7016 Anthracite Grey Finish	Driver inc	Fixed
SLOA35PEC	35.0	2,520	700		4000	IP65	IK10	12.6	RAL7016 Anthracite Grey Finish	Driver inc	Fixed
SLOA55F	55.0	4,005	1050		4000	IP65	IK10	12.5	RAL7016 Anthracite Grey Finish	Driver inc	Fixed
SLOA55PEC	55.0	4,005	1050		4000	IP65	IK10	12.6	RAL7016 Anthracite Grey Finish	Driver inc	Fixed



Accessories & Options

Mounting Options

- Post Top 76mm
[Contact for details](#)

Other Options

- Colour Temperature Option
- Photocell Option
[Contact for details](#)