



### Main

Range of product	Modicon Momentum automation platform
Product or component type	Processor
Product compatibility	Modicon STB I/O
Integrated connection type	Ethernet USB port

### Complementary

Concept	Transparent Ready class B
Web services	CPU status Ethernet statistics Bandwidth monitoring Home pages Properties
Software designation	Unity Pro
Communication service	Modbus messaging 125 words, 200 I/O message per second Global Data, 1600 I/O message per second Modbus TCP I/O Scanner and Messaging
Processor name	Spear 320s
Word length	32 bit
Supply voltage limits	4.75...5.25 V
Clock frequency	333 MHz
Topology	Multidrop Modbus Star Modbus TCP
Communication port protocol	Modbus RS485/RS232 - 1 RJ45 19200 bps - 2-wire Modbus TCP ETHERNET - 1 RJ45 10/100 Mbps - twisted shielded pairs cable CAT 5E UTP
Method of access	Client/Server Master/slave
Control parameter	CRC-16 for Modbus CRC-32 for Modbus TCP/IP
Addressing	1...247 Modbus Unique IEEE global address Modbus TCP
Fail state	Safe I/O mode
Memory description	Program memory IEC 3584 kB Program memory LL984 3584 kB
Register words	26048
I/O limit processor capacity	2048 inputs/2048 outputs
Number of devices	32 Modbus
Exact time for 1 Kinstruction	83 ns
Local signalling	1 LED (green) for processor running (RUN) 1 LED (red) for processor or system fault (ERR) 1 LED (red) for I/O module fault (I/O) 1 LED (yellow) for channel 0 operating (CH0) 1 LED (green) for data rate (ETH 100) 1 LED (green) for data rate (ETH LINK) 1 LED (green) for status of Ethernet network (ETH STS)
Marking	CE

The information provided in this documentation contains general descriptions and/or technical characteristics of the performance of the products contained herein. This documentation is not intended as a substitute for and is not to be used for determining suitability or reliability of these products for specific user applications. It is the duty of any such user or integrator to perform the appropriate and complete risk analysis, evaluation and testing of the products with respect to the relevant specific application or use thereof. Neither Schneider Electric Industries SAS nor any of its affiliates or subsidiaries shall be responsible or liable for misuse of the information contained herein.

Current consumption	500 mA at 5 V DC
Module format	Standard
Product mounting	35 mm symmetrical DIN rail
Height	60.6 mm
Width	144 mm
Depth	53.47 mm
Net weight	0.163 kg

## Environment

Material	Lexan
Dielectric strength	0 V not isolated RS485/RS232 5000 V for 1 minute ETHERNET
Product certifications	FM C-Tick
Standards	UL 508 CSA C22.2 No 142 EN/IEC 61131-2
IP degree of protection	IP20
Shock resistance	15 gn during 11 ms sinusoidal vibrations
Resistance to electrostatic discharge	6 KV contact conforming to EN/IEC 61131-2 zone B 6 KV contact conforming to IACS E10 8 kV on air conforming to EN/IEC 61000-4-2
Resistance to electromagnetic fields	15 V/m 80...2700 MHz conforming to EN/IEC 61000-4-3
Ambient air temperature for operation	0...60 °C
Ambient air temperature for storage	-40...85 °C
Relative humidity	5...96 %
Operating altitude	<= 2000 m

## Packing Units

Unit Type of Package 1	PCE
Number of Units in Package 1	1
Package 1 Height	7.500 cm
Package 1 Width	11.200 cm
Package 1 Length	20.700 cm
Package 1 Weight	237.000 g
Unit Type of Package 2	S03
Number of Units in Package 2	8
Package 2 Height	30.000 cm
Package 2 Width	30.000 cm
Package 2 Length	40.000 cm
Package 2 Weight	2.385 kg

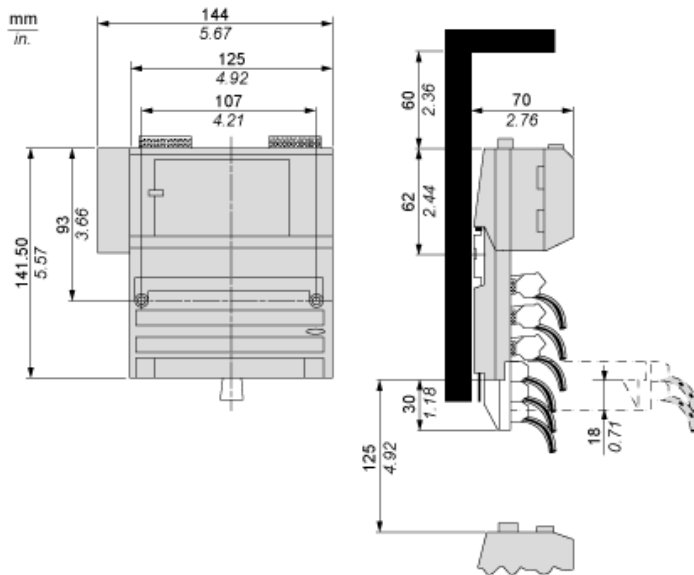
## Offer Sustainability

REACH Regulation	<a href="#">REACH Declaration</a>
EU RoHS Directive	Pro-active compliance (Product out of EU RoHS legal scope) <a href="#">EU RoHS Declaration</a>
Mercury free	Yes
China RoHS Regulation	<a href="#">China RoHS Declaration</a>
RoHS exemption information	<a href="#">Yes</a>
WEEE	The product must be disposed on European Union markets following specific waste collection and never end up in rubbish bins

## Contractual warranty

Warranty	18 months
----------	-----------

Processor and Option Adapter on a Typical Base



---

Mounting on a Wall

---

