

# Navara

# HB



## Product Information

The Navara HB IP65 Highbays are suitable for a multitude of Industrial and commercial applications.

Complemented by the optional Microwave sensor this product provides an effective energy saving solution with high efficiency LED technology.

They come complete with a 5 year warranty for your peace of mind.

## Product Features

- 5 year warranty
- Class I
- IP65/IK08
- 4000K LED
- High efficiency CREE LED Chip technology up to 132 lumens per watt
- Up to CRI: Ra84
- 1-10v Dimmable as standard – can also be used as a normal fitting
- Instant on
- Push Fit terminal Block
- 3 sizes and outputs to choose from
- Supplied with Eye hook suitable for jack chain/carabiner clip
- L70 – 40,000hrs

# Product Specification

Product Code	Product Description	Wattage (W)	CCT (K)	Lumens (lm)	CRI (Ra)	Energy Efficiency Class	Protection Class
KSR98120	Navara HB 100w 4000K IP65 LED High bay Black	100	4000	12705	83	D	I
KSR98121	Navara HB 150w 4000K IP65 LED High bay Black	150	4000	20076	84	D	I
KSR98122	Navara HB 200w 4000K IP65 LED High bay Black	200	4000	25623	83	D	I

## Accessories

Product Code	Product Description	Light source Max load	Detection Range	Recommended Mounting Heights	Time Delay	Lux Settings	Protection Class
KSR98123	Navara HB Remote Microwave Sensor	800w	4-10m (radius), adjustable	4-15m	5sec-60min (dipswitch set)	<2-2000lux (dipswitch set)	II

Technical Data	Navara HB 100W	Navara HB 150W	Navara HB 200W
Nominal voltage	200~240VAC	200~240VAC	200~240VAC
Operating frequency	50-60Hz	50-60Hz	50-60Hz
Circuit Wattage	99.77w including Driver Losses	144.4w including driver	187w including driver
Circuit Current	0.446	0.648	0.828
Driver Current Rating	TBC	TBC	TBC
PFC	0.97	0.97	0.98
In Rush Current	5.86A Max peak @ 0-40ms	6.88A Max Peak @ 0-40ms	7.53A Max Peak @ 0-40ms
Start Time	< 0.5 Sec	< 0.5 Sec	< 0.5 Sec
Ambient temperature range	-20°C to +40°C	-20°C to +40°C	-20°C to +40°C
IP rating	65	65	65

## Construction

Body: Die Cast Aluminium  
 Lens: Polycarbonate

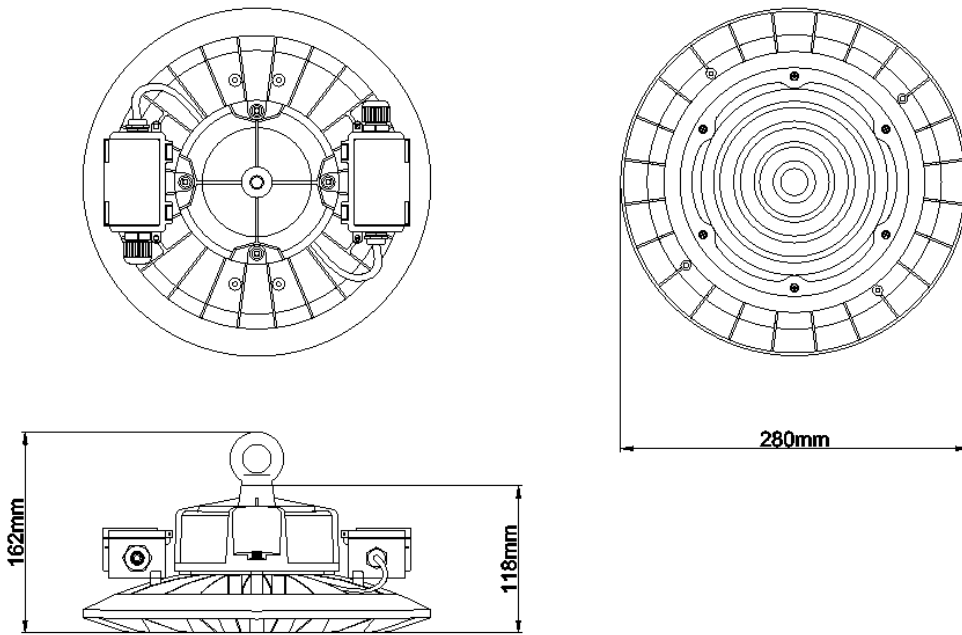
# Standards

BSEN60598-1:2021      Luminaires – Part 1: General requirements and tests

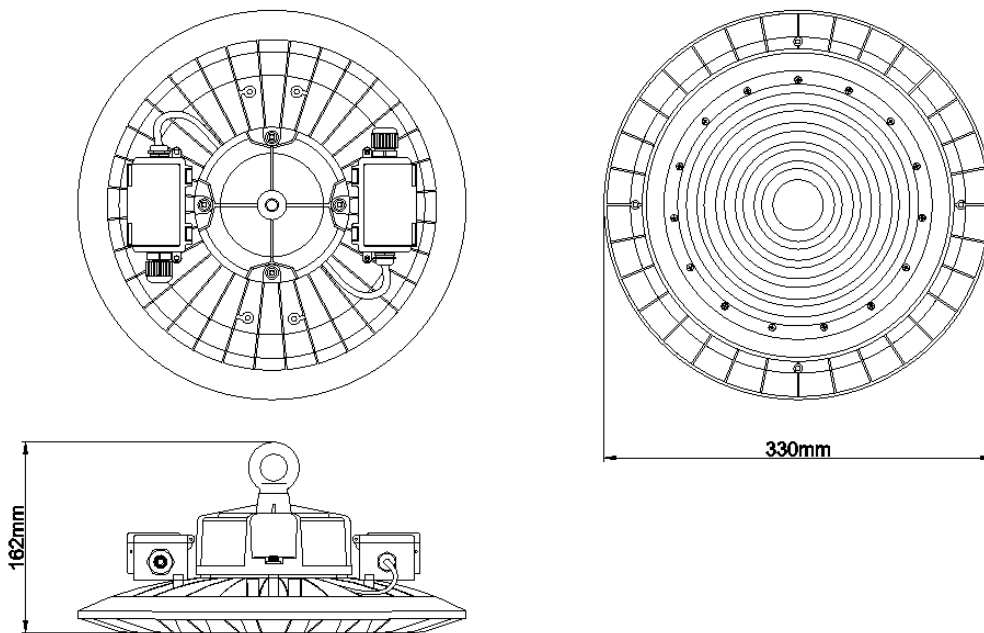
## In Conformity with

LVD	Low voltage directive 2014/35/EU
EMC	Electromagnetic compatibility directive 2014/30/EU
ERP	Energy related products directive 2019/2020/EU
RoHS	Restriction of hazardous substances 2015/863/EU

# Product Dimensions

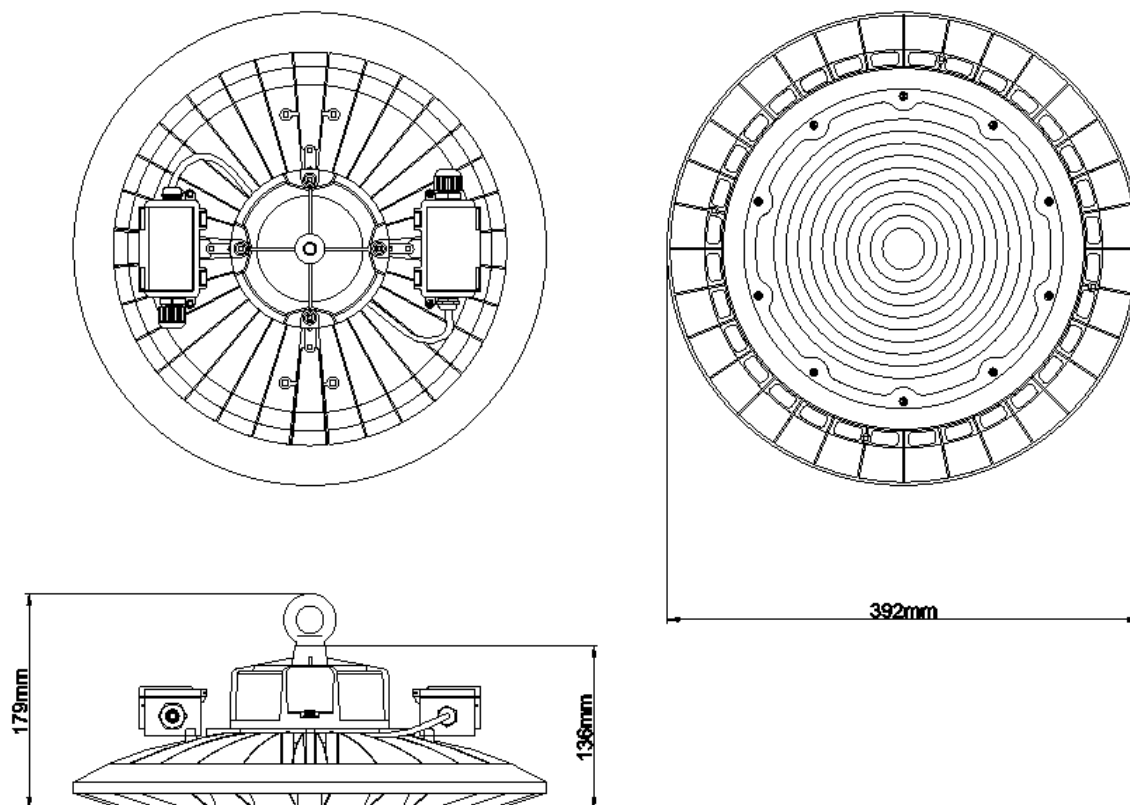


**KSR98120**

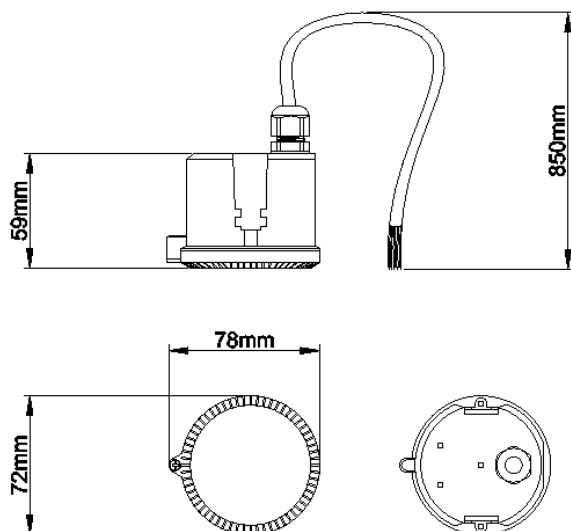


**KSR98121**

## Product Dimensions continued



### KSR98122



### KSR98123

KSR Lighting is constantly developing and improving its products. For this reason, all product descriptions in this data sheet are intended as a general guide, and KSR may change specifications from time to time in the interest of product development, without prior notification or public announcement. All descriptions in this data sheet present only general particulars of the goods to which they refer and shall not form part of any contract. Data in this guide has been obtained in controlled experimental conditions. However, KSR Lighting cannot accept any liability arising from the reliance on such data to the extent permitted.