



Escala Pro LED Range

Track Lighting



Data Sheet

Product Information

The Escala Pro LED range of track fittings are ideal for domestic or commercial applications where you want a highly efficient light source.

They come complete with 2 year warranty

Product Features

- 2 year warranty
- High efficiency
- 3000K or 4000K LED
- CRI: Ra80 or Ra90
- 40° beam angles
- IP20
- Lighting designers can download photometric data from our website
- L70 – 30,000hrs

Product Specification

Product Code	Product Description	Wattage (W)	CCT (K)	Lumens (lm)	CRI (Ra)	Energy Efficiency Class 2021	Protection Class	Beam Angle
KSR6525	Escala Pro 10W 3000K LED Track Fitting	10	3000	690	83	F	I	36°
KSR6526	Escala Pro 10W 4000K LED Track Fitting	10	4000	800	85	F	I	36°
KSR6527	Escala Pro 20W 3000K LED Track Fitting	20	3000	1775	90	F	I	36°
KSR6528	Escala Pro 20W 4000K LED Track Fitting	20	4000	1862	90	F	I	36°
KSR6555	Escala Pro 18W 3000K LED Track Fitting	18	3000	1285	90	F	I	40°
KSR6556	Escala Pro 18W 4000K LED Track Fitting	18	4000	1595	90	F	I	40°
Optional Accessory								
KSR6414	Escala 3 Circuit track adapter for Escala Pro Single Circuit fittings							

Nominal voltage	220~240V
Operating frequency	50-60Hz
Ambient temperature range	-20°C~+40°C
Start time	< 0.5 sec
IP rating	20

Construction

Body: Cast Aluminium
 Lens: Polycarbonate

Standards

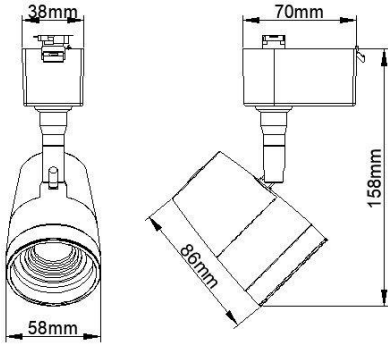
BSEN60598-1:2021 Luminaires – Part 1: General requirements and tests

In Conformity with

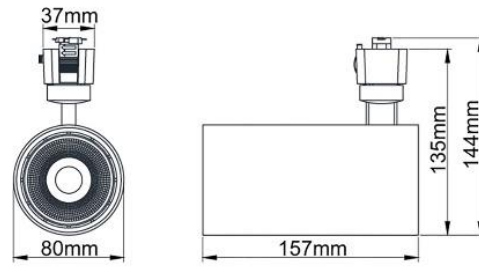
LVD Low voltage directive 2014/35/EU
 EMC Electromagnetic compatibility directive 2014/30/EU
 ERP Energy related products directive 2019/200/EC
 RoHS Restriction of hazardous substances 2015/863/EU

Product Dimensions

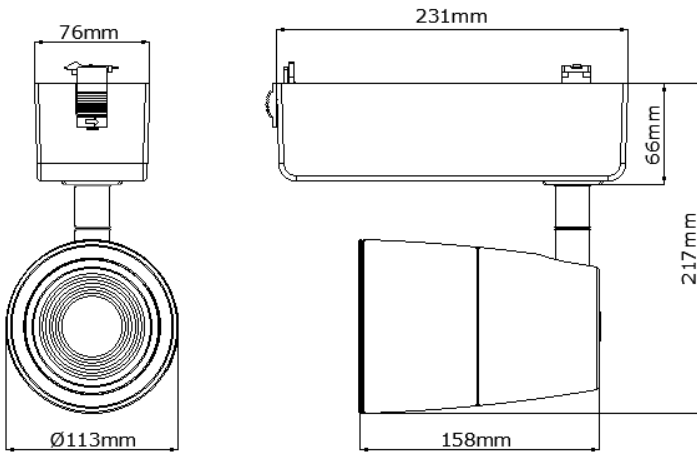
www.ksrlighting.com



KSR6525-26



KSR6527-28



KSR6555-56

KSR Lighting is constantly developing and improving its products. For this reason, all product descriptions in this data sheet are intended as a general guide, and KSR may change specifications from time to time in the interest of product development, without prior notification or public announcement. All descriptions in this data sheet present only general particulars of the goods to which they refer and shall not form part of any contract. Data in this guide has been obtained in controlled experimental conditions. However, KSR Lighting cannot accept any liability arising from the reliance on such data to the extent permitted.