

Onix Plus™

Onix Plus™ Floorbox with Snorkel Cord Outlet Lid

TESTED TO EN50085-2-2
TO ACCEPT 10,000N LOAD

SNORKEL CORD OUTLET

- Design allows access of plug tops and 16A 2P+E MK Commando Plug
- Supplied with a 9mm wide flange to cater for poorly cut tile infills

WET WASHABLE

- Plain lid and snorkel design allows floor to be washed even when in use
- The lid will withstand 10mm of standing water when in use



ATTRACTIVE, AESTHETIC LIDS

- Stylishly designed
- Recess depth options available to suit

ROBUST LOAD PLATE

- Superior load bearing performance
- Ideal for areas of heavy foot traffic
- A tile lifter should be used to lift all Onix Plus lids

SQUARE BOX OPTION

- 90° rotation of floorbox for system flexibility

STAGGERED PLATE

- Provides strain relief clearance for moulded plug tops
- Stagger only available with 3 and 4 compartment floorboxes

COMPARTMENT SEGREGATION

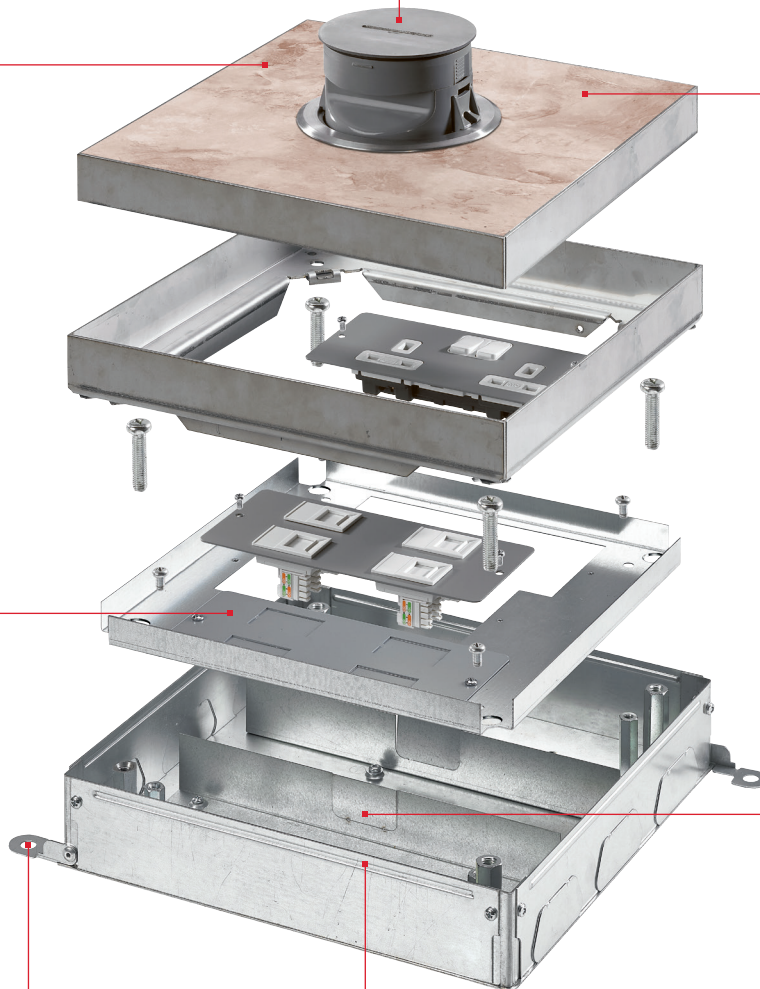
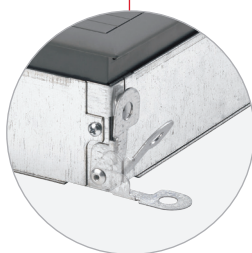
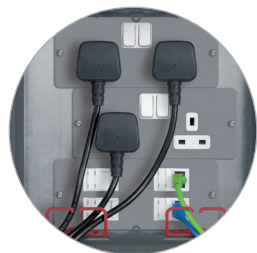
- Set at 35mm as standard
- Height adjustable – 25 to 45mm with appropriate CUBA kit
- Deeper Screed depths have fixed wiring spaces

SERVICE OUTLET BOX

- Option of two screed depths: 55-80mm and 80-110mm
- Deeper screed depths available on request
- Flat sided base design ensures a stronger screed solution and faster taping

BASE FIXING FEET

- 'Fast fix' installation



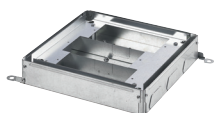
Onix Plus™ Boxes and Snorkel Lids

The Base Units are installed prior to screeding. Designed for use with the Cablelink Plus Screed Ducting System (see page 422 for more details). Snorkel design allows floor to be washed even when in use – IP44 when not in use, IP2 x when in use.

Onix Plus Box Selector Guide

- Service Outlet Boxes and Junction Boxes are ordered as two parts – “Base” and “Lid”
- Base – identify screed depth, number of compartments required and preferred box size
- Lid – choice of lid type, available with and without snorkel
- Junction Box – supplied complete with disposable steel screed lid and cable flyover
- Accessory Plates – select from wide range of power and data see page 423 for details
- Alternative deeper Junction Boxes and Screed Base Unit depths are available - please contact Technical Services for details

Screed Base Units: Standard



Base size Compartment	200 x 200mm 2	265 x 265mm 3	340 x 340mm 4
SCREED 55-80MM 35MM WIRING SPACE	NXB200UK-2	NXB265UK-3	NXB340UK-4
SCREED 80-110MM 35MM WIRING SPACE		NXB265XUK-3	NXB340XUK-4

Wiring space can also be reduced to 25mm when used in shallow screed depths. Both require the use of a plate height adjustment kit - part number CUBA-1. For 200x200mm base, use 'Compact' power and data plates only – see page 423.
Supplied with PVC ducting side plates. Number of ducting knockouts varies by size: 200 x 200mm – 2 x 60 x 25mm, 265 x 265mm – 3 x 60 x 25mm and 340 x 340mm – 3 x 90 x 35mm. see page 423 for alternative plates.
If screed depth is 55-65mm, reduce height by use of CUBA-1 and use side entry power socket outlets – see page 423.

Junction Boxes



Size	200 x 200mm	265 x 265mm	340 x 340mm
55-80MM	NXJ200UK	NXJ265UK	NXJ340UK
80-110MM	NXJ200XUK	NXJ265XUK	NXJ340XUK

Disposable steel screed lid and cable flyover supplied as standard. **LIDS MUST BE ORDERED SEPARATELY.**
Supplied with four side adaptor plates, 4 PVC ducting plates. Number of ducting knockout varies by size:
200x200mm – 2 x 60 x 25mm, 265 x 265mm – 3 x 60 x 25mm and 340 x 340mm – 3 x 90 x 35mm. see page 411 for alternative plates.
Increased screed depth junction boxes available on request.

Box Lid: Snorkel Lid



Size	200 x 200mm	265 x 265mm	340 x 340mm
Depth 80-110 MM			
RECESS DEPTH 15MM	NXLS200X-15	NXLS265X-15	NXLS340X-15
RECESS DEPTH 20MM	NXLS200X-20	NXLS265X-20	NXLS340X-20
RECESS DEPTH 25MM	NXLS200X-25	NXLS265X-25	NXLS340X-25
RECESS DEPTH 30MM	NXLS200X-30	NXLS265X-30	NXLS340X-30

See page 685 to determine the minimum screed depth/finished floor depth combination required to enable the snorkel lid to close.
All supplied as stainless steel lid with snorkel. Lids are supplied with frame and fittings.