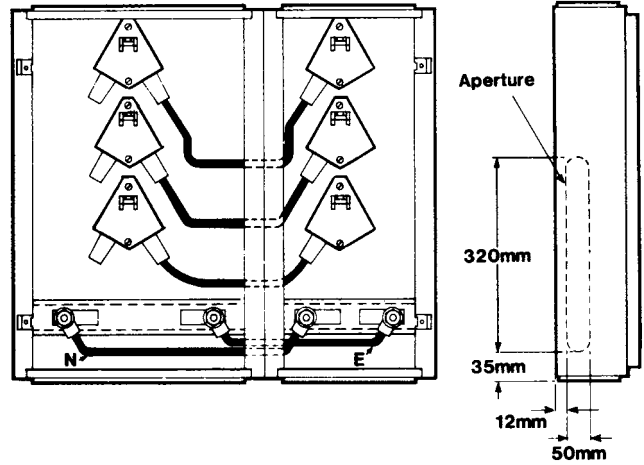


# 10.3

## Technical data Enclosed switch & fusegear

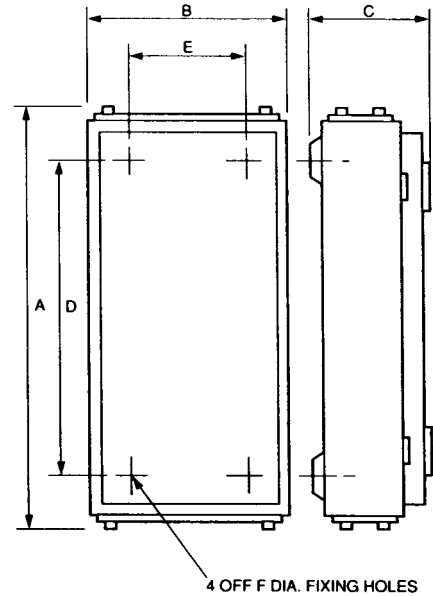
### Exel distribution fuseboards – diversity factors

No. of ways	Maximum rated operational current per way, I <sub>e</sub>				
	200A	100A	63A	32A	<20A
2	–	1	–	–	–
4	0.8	0.9	0.9	0.9	0.9
6	–	0.8	0.8	0.8	0.8
8	–	0.66	0.8	0.8	0.8
10	–	–	–	0.66	–
12	–	–	–	0.66	–
<b>Therefore, incomer rating =</b>					
2	–	–	126A	–	–
4	640A	360A	227A	115A	72A
6	–	480A	302A	154A	96A
8	–	528A	403A	205A	128A
10	–	–	–	211A	–
12	–	–	–	253A	–



### Exel distribution fuseboards – enclosure dimensions IP4X (mm)

Nominal rating, I <sub>e</sub>	Poles	Number of ways	A	B	C	D crs	E crs	F dia.	
20A	SPN	4	386	304	148	252	191	8	
		6	386	304	148	252	191	8	
		8	386	368	148	252	255	8	
		12	386	448	148	252	335	8	
	TPN	4	631	304	148	442	191	8	
		6	631	304	148	442	191	8	
		8	631	368	148	442	255	8	
		12	631	448	148	442	335	8	
32A	SPN	4	386	304	148	252	191	8	
		6	386	304	148	252	191	8	
		8	386	368	148	252	255	8	
		12	386	496	148	252	383	8	
	TPN	4	710	304	148	576	191	8	
		6	710	304	148	576	191	8	
		8	710	368	148	576	255	8	
		10	710	448	148	576	335	8	
12	710	496	148	576	383	8			
	63A	TPN	2	546	473	227	458	369	10
			4	972	330	227	884	226	10
			6	972	330	227	884	226	10
8			972	473	227	884	369	10	
100A	TPN	4	1066	330	227	978	226	10	
		6	1066	549	227	978	445	10	
		8	1066	549	227	978	445	10	
200A	TPN	4	1560	529	270	1334	325	10	



### Exel distribution fuseboards – earth bar terminal capacities

Description	Nominal rating of fuseboard, I <sub>e</sub>				
	20A	32A	63A	100A	200A
Main (stud)	M10	M10	M10	M10	M10
Outgoing, mm <sup>2</sup>	10	10	25	25	70

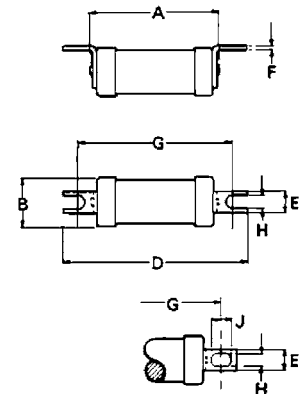
**Exel distribution fuseboards – main terminal stud sizes**

Description	No. of ways	Nominal rating of fuseboard, Ie				
		20A	32A	63A	100A	200A
SPN	4	M10	M10	–	–	–
	6	M10	M10	–	–	–
	8	M10	M10	–	–	–
	12	M10	–	–	–	–
TPN	2	–	–	M12	–	–
	3	–	–	M12	–	–
	4	M10	M10	M12	M12	M16
	6	M10	M10	M12	M16	–
	8	M10	M10	M16	M16	–
	10	–	M10	–	–	–
	12	–	M10	–	–	–

<sup>1</sup>Tunnel terminal 35mm<sup>2</sup> max.

**415V industrial fuselinks – offset bolted contacts, dimensions**

Eaton list number	Dimension, mm							
	A max.	B max.	D max.	E	F	G nom.	H	J
<b>SA2</b>	34	14	54	11	0.8	44.5	4.8	–
<b>SA2M</b> (25–40A)	34	14	54	11	0.8	44.5	4.8	–
<b>SA2M</b> (50–63A)	36	17.5	55	11	1.2	44.5	4.8	–
<b>SB3</b>	35	14	85	9	1.2	73	5.5	8
<b>SB3M</b>	56	22	86	9	1.2	73	5.5	8
<b>SB4</b>	35	17.5	86	9	1.2	73	5.5	8
<b>SB4M</b>	56	22	88	13	1.2	73	5.5	10
<b>SO</b> (80–100A)	55	21	86	13	1.2	73	5.5	10
<b>SOM</b>	55	26	91	13	1.2	73	5.5	10
<b>SO</b> (125–200A)	47	31	90	19	3.2	73	6.1	–
<b>SD5</b>	59	22	110	15	3.2	94	9	–
<b>SD5M</b> (125–160A)	58	26	109	15	3.2	94	9	11
<b>SD5M</b> (200A)	47	31	110	19	3.2	94	9	10
<b>SD6</b>	47	31	110	19	3.2	94	9	10
<b>SD6M</b>	47	31	110	19	3.2	94	9	10



**SB3, SB3M, SB4, SB4M, SD5M, SD6, SD6M, SO (80–100A) & SOM types**