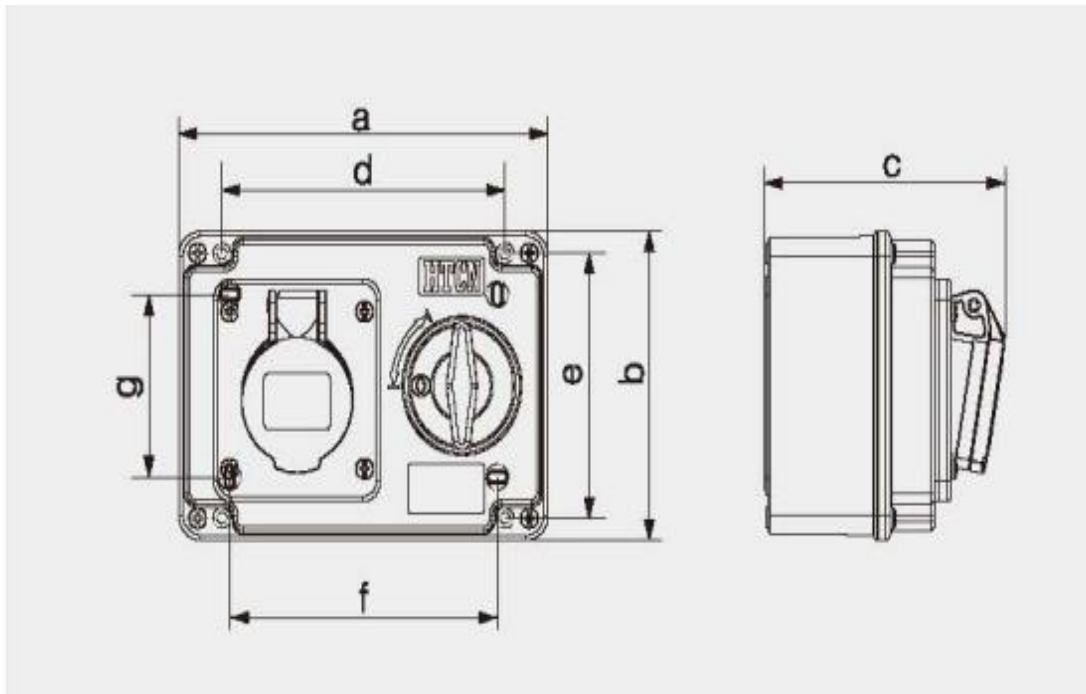




## AMICA

### Switched Interlocked Sockets

Part No	Description	Height mm (b)	Width mm (a)	Depth mm (c)	Material	Conductor Size	Current	Voltage	Poles	Protection	Weig (g)
<b>CNSI161103P</b>	16A 110V 3P S.I SKT IP44	120	167	108	PC/ABS	1.5 – 4	16	100 – 130V	2P + PE	IP44	536
<b>CNSI321103P</b>	32A 110V 3P S.I SKT IP44	120	167	118	PC/ABS	2.5 – 10	32	100 – 130V	2P + PE	IP44	595
<b>CNSI162303P</b>	16A 230V 3P S.I SKT IP44	120	167	108	PC/ABS	1.5 – 4	16	200 – 250V	2P + PE	IP44	536
<b>CNSI322303P</b>	32A 230V 3P S.I SKT IP44	120	167	118	PC/ABS	2.5 – 10	32	200 – 250V	2P + PE	IP44	595
<b>CNSI164004P</b>	16A 400V 4P S.I SKT IP44	120	167	111.5	PC/ABS	1.5 – 4	16	380 – 415V	3P + PE	IP44	564
<b>CNSI324004P</b>	32A 400V 4P S.I SKT IP44	120	167	118	PC/ABS	2.5 – 10	32	380 – 415V	3P + PE	IP44	628
<b>CNSI164005P</b>	16A 400V 5P S.I SKT IP44	120	167	112	PC/ABS	1.5 – 4	16	380 – 415V	3P + N + PE	IP44	595
<b>CNSI324005P</b>	32A 400V 5P S.I SKT IP44	120	167	120.5	PC/ABS	2.5 - 10	32	380 – 415V	3P + N + PE	IP44	676



Current	16A			32A		
Pole	3	4	5	3	4	5
a	167	167	167	167	167	167
b	120	120	120	120	120	120
c	108	111.5	112	118	118	120.5
d	128	128	128	128	128	128
e	102.8	102.8	102.8	102.8	102.8	102.8
f	121	121	121	121	121	121
g	71	71	71	71	71	71
Cable size (mm <sup>2</sup> )	1.5 – 4			2.5 - 10		

**FOR MORE INFORMATION  
PLEASE CONTACT US**

**01952 212700**

**CEE NORM**  
U.K. Ltd

Distributors/Manufactures of: Industrial Plugs, Sockets, Combination Units & Tools (BS EN.60309-2 / BS4343 CEE17)



01952 212700



sales@ceenorm.co.uk



www.ceenorm.co.uk

**Bals**  
Simply. We... Connectec.

**haupa**

**TRANSPower**  
ENGINEERING

Reg No. 2581049 (England & Wales)



Reg. Office: Unit 2, Highbridge  
Court, Stafford Park 1, Telford,  
Shropshire, TF3 3BD