

YOUR BESTSELLER



Product name	GTIN (EAN)	Replacement for ¹	lm	lm/W	°	L70 ²	L80 ³	L90 ⁴	Dimensions L x W x H [mm] Ø x H [mm]	Cut out [mm]	No. Graph.
DL SLIM DN155 12W/3000K WT IP20	4058075052284	1 x 18W CFLp	1,020	85	120°	30,000h	—	—	169 x 30	155	—
DL SLIM DN155 12W/4000K WT IP20	4058075052307	1 x 18W CFLp	1,020	85	120°	30,000h	—	—	169 x 30	155	—
DL SLIM FRAME DN155 WT	4058075052420	—	—	—	—	—	—	—	170 x 38	—	—
DL SLIM SQ155 12W/3000K WT IP20	4058075052529	1 x 18W CFLp	1,020	85	120°	30,000h	—	—	169 x 169 x 30	155 x 155	01
DL SLIM SQ155 12W/4000K WT IP20	4058075052543	1 x 18W CFLp	1,020	85	120°	30,000h	—	—	169 x 169 x 30	155 x 155	01
DL SLIM FRAME SQ155 WT	4058075052666	—	—	—	—	—	—	—	170 x 170 x 38	—	—
Downlight LED 14W/3000K 230V IP20	4058075000001	1 x 26W CFLp	1,310	90	95°	50,000h	40,000h	20,000h	160 x 60	150	—
Downlight LED 14W/4000K 230V IP20	4058075000025	1 x 26W CFLp	1,360	95	95°	50,000h	40,000h	20,000h	160 x 60	150	—
Downlight LED 25W/3000K 230V IP20	4058075000063	2 x 26W CFLp	2,220	90	100°	50,000h	40,000h	20,000h	220 x 67	200	—
Downlight LED 25W/4000K 230V IP20	4058075000087	2 x 26W CFLp	2,340	95	100°	50,000h	40,000h	20,000h	220 x 67	200	—
DL SLIM VALUE DN180 17W/3000K WT	4058075063921	1 x 26W CFLp	1,350	80	120°	50,000h	—	—	192 x 23	180	02
DL SLIM VALUE DN180 17W/4000K WT	4058075063945	1 x 26W CFLp	1,400	80	120°	50,000h	—	—	192 x 23	180	02
DL SLIM VALUE DN205 22W/3000K WT	4058075064003	2 x 26W CFLp	1,850	85	120°	50,000h	—	—	225 x 23	205	02
DL SLIM VALUE DN205 22W/4000K WT	4058075064027	2 x 26W CFLp	1,920	90	120°	50,000h	—	—	225 x 23	205	02
Spot LED adjust 8W/3000K 230V IP20	4058075000162	75 W HAL	660	85	36°	50,000h	40,000h	20,000h	90 x 47	83	—
Spot LED adjust 8W/4000K 230V IP20	4058075000186	75 W HAL	720	90	36°	50,000h	40,000h	20,000h	90 x 47	83	—
Linear LED 300 4W/3000K 230V IP20	4058075000247	1 x 9W FL	400	100	140°	50,000h	40,000h	30,000h	313 x 28 x 36	—	03
Linear LED 300 4W/4000K 230V IP20	4058075000261	1 x 9W FL	450	110	140°	50,000h	40,000h	30,000h	313 x 28 x 36	—	03
Linear LED 600 8W/3000K 230V IP20	4058075000285	1 x 18W FL	800	100	140°	50,000h	40,000h	30,000h	573 x 28 x 36	—	03
Linear LED 600 8W/4000K 230V IP20	4058075000308	1 x 18W FL	800	100	140°	50,000h	40,000h	30,000h	573 x 28 x 36	—	03
Linear LED 900 12W/3000K 230V IP20	4058075066497	1 x 30W FL	1,200	100	140°	50,000h	40,000h	30,000h	873 x 28 x 36	—	03
Linear LED 900 12W/4000K 230V IP20	4058075066510	1 x 30W FL	1,200	100	140°	50,000h	40,000h	30,000h	873 x 28 x 36	—	03
Linear LED 1200 14W/3000K 230V IP20	4058075000322	1 x 36W FL	1,400	100	140°	50,000h	40,000h	30,000h	1,173 x 28 x 36	—	03
Linear LED 1200 14W/4000K 230V IP20	4058075000346	1 x 36W FL	1,500	100	140°	50,000h	40,000h	30,000h	1,173 x 28 x 36	—	03
Surface-C LED 350 18W/3000K IP44	4058075000742	1 x 26W CFLp	1,440	80	120°	50,000h	30,000h	15,000h	350 x 115	—	04
Surface-C LED 350 18W/4000K IP44	4058075000766	1 x 26W CFLp	1,440	80	120°	50,000h	30,000h	15,000h	350 x 115	—	04
Surface-C LED 400 24W/3000K IP44	4058075000780	1 x 32W CFLp	1,920	80	120°	50,000h	30,000h	15,000h	400 x 120	—	04
Surface-C LED 400 24W/4000K IP44	4058075000803	1 x 32W CFLp	1,920	80	120°	50,000h	30,000h	15,000h	400 x 120	—	04
Surface-C LED 400 24W/4000K Sensor IP44	4058075000841	1 x 32W CFLp	1,920	80	120°	50,000h	30,000h	15,000h	400 x 120	—	04
Panel LED Value 600 40W/3000K	4058075066588	4 x 18W/4 x 14W FL	3,300	85	120°	30,000h	—	—	595 x 595 x 10.5	575 x 575	05
Panel LED Value 600 40W/4000K	4058075066601	4 x 18W/4 x 14W FL	3,600	90	120°	30,000h	—	—	595 x 595 x 10.5	575 x 575	05
Panel 600 Surface Mount Kit Value	4058075075795	—	—	—	—	—	—	—	600.5 x 600.5 x 45	—	—
Panel Mounting Clips 1x4	4058075044630	—	—	—	—	—	—	—	35 x 30 x 45	—	—
Panel 600/625 Suspension Kit	4058075800106	—	—	—	—	—	—	—	3,000	—	—
DP SLIM VALUE 1200 36W/4000K IP65	4058075066458	2 x 36W FL	4,000	110	120°	30,000h	—	—	1,200 x 35 x 48	—	06
DP SLIM VALUE 1200 36W/6500K IP65	4058075066472	2 x 36W FL	4,000	110	120°	30,000h	—	—	1,200 x 35 x 48	—	06
DP SLIM VALUE 1500 50W/4000K IP65	4058075066496	2 x 58W FL	5,500	110	120°	30,000h	—	—	1,500 x 35 x 48	—	06
DP SLIM VALUE 1500 50W/6500K IP65	4058075066519	2 x 58W FL	5,500	110	120°	30,000h	—	—	1,500 x 35 x 48	—	06
High Bay LED 120W/4000K 100-240V IP65	4058075001039	250W HID	13,000	110	90°	50,000h	35,000h	20,000h	295 x 141	—	07
High Bay LED 200W/4000K 100-240V IP65	4058075001053	400W HID	22,000	110	70°	50,000h	35,000h	20,000h	380 x 159	—	—
Floodlight LED 10W/3000K White IP65	4058075810938	80W HAL	800	80	100°	50,000h	30,000h	15,000h	117 x 127 x 39	—	—
Floodlight LED 10W/4000K White IP65	4058075810952	80W HAL	800	80	100°	50,000h	30,000h	15,000h	117 x 127 x 39	—	—
Floodlight LED 20W/3000K White IP65	4058075001084	120W HAL	2,000	100	100°	50,000h	30,000h	15,000h	155 x 167 x 44	—	—
Floodlight LED 20W/3000K Black IP65	4058075001060	120W HAL	2,000	100	100°	50,000h	30,000h	15,000h	155 x 167 x 44	—	08
Floodlight LED 20W/4000K Black IP65	4058075810976	120W HAL	2,000	100	100°	50,000h	30,000h	15,000h	155 x 167 x 44	—	08
Floodlight LED 50W/3000K White IP65	4058075001145	400W HAL	5,000	100	100°	50,000h	30,000h	15,000h	187 x 216 x 62	—	—
Floodlight LED 50W/3000K Black IP65	4058075001107	400W HAL	5,000	100	100°	50,000h	30,000h	15,000h	187 x 216 x 62	—	—
Floodlight LED 50W/4000K Black IP65	4058075810990	400W HAL	5,000	100	100°	50,000h	30,000h	15,000h	187 x 216 x 62	—	—
Floodlight LED 100W/4000K Black IP65	4058075001138	750W HAL	10,000	100	100°	50,000h	40,000h	20,000h	243 x 253 x 93	—	—
Floodlight LED 100W/6500K Black IP65	4058075811010	750W HAL	10,000	100	100°	50,000h	40,000h	20,000h	243 x 253 x 93	—	—

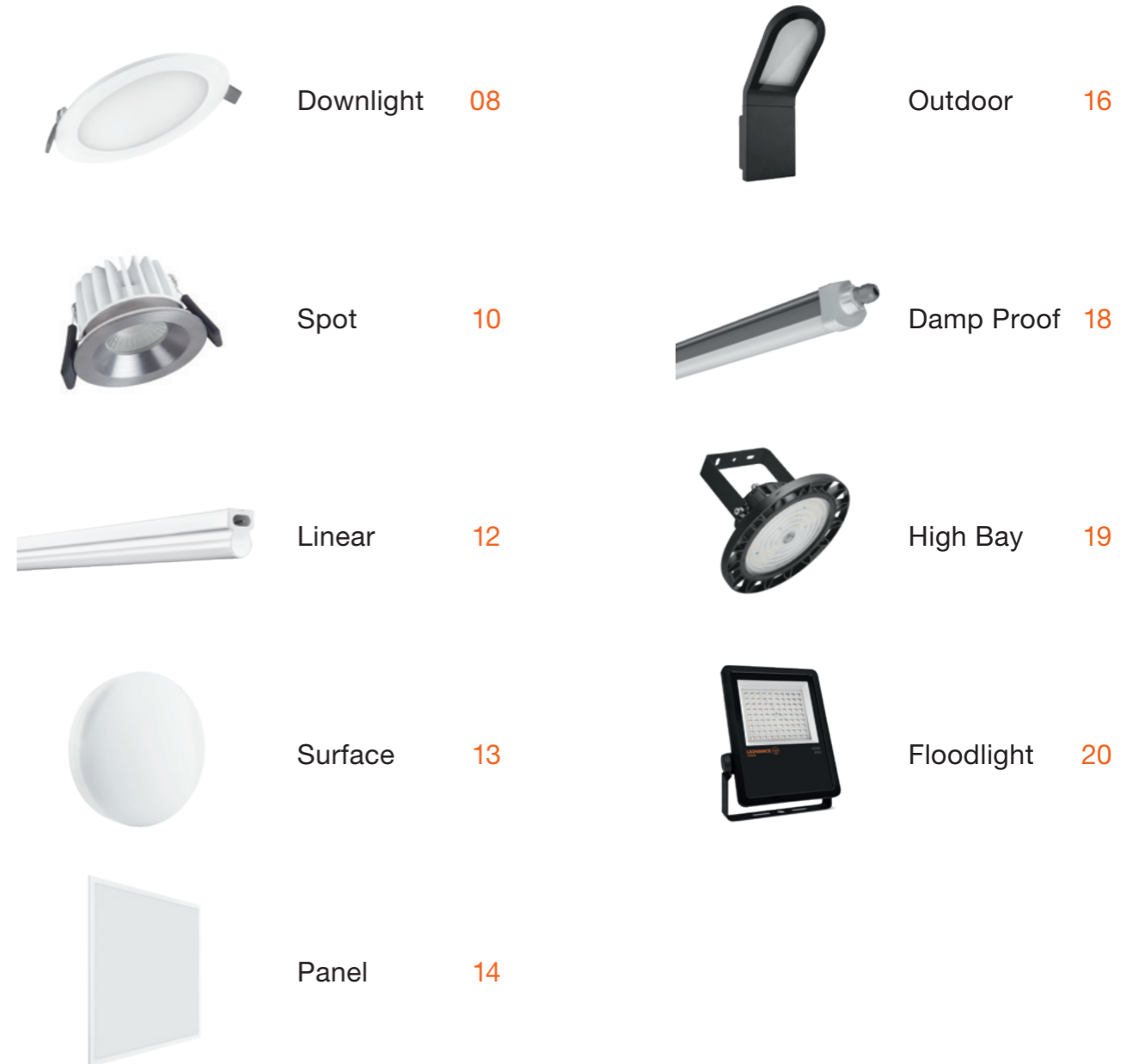
¹ Replacement for usually used traditional equivalent | ² t[h]: L70 @ 25°C (T_a) | ³ t[h]: L80 @ 25°C (T_a) | ⁴ t[h]: L90 @ 25°C (T_a)

CONTENT

INTRODUCTION 04

WHAT'S NEW 06

THE FULL ASSORTMENT



LIGHTING CONTROLS 21

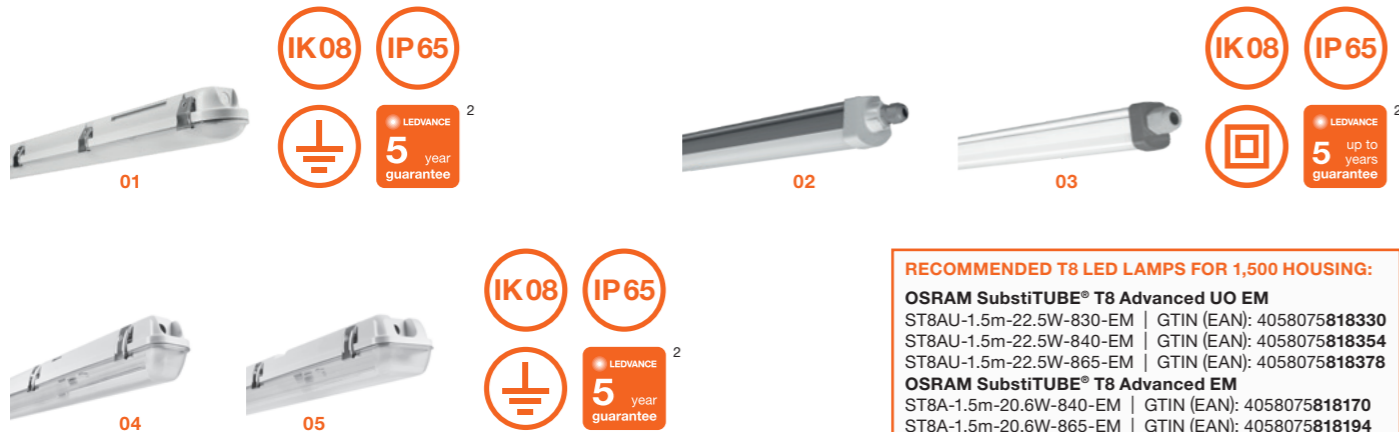
APPLICATION SUPPORT 22

LEDVANCE SUCCESS STORIES 23

DAMP PROOF



- IP65 damp proof luminaires with attractive classic and modern designs
- Efficacy of up to 120 lm/W with up to 6,700 lumen output
- Easy installation and tool-free electrical connection
- Empty body versions for LED tubes available
- Suitable e.g. for garages, underpasses, workshops, industrial and storage facilities



RECOMMENDED T8 LED LAMPS FOR 1,500 HOUSING:

OSRAM SubstiTUBE® T8 Advanced UO EM
 ST8AU-1.5m-22.5W-830-EM | GTIN (EAN): 4058075818330
 ST8AU-1.5m-22.5W-840-EM | GTIN (EAN): 4058075818354
 ST8AU-1.5m-22.5W-865-EM | GTIN (EAN): 4058075818378

OSRAM SubstiTUBE® T8 Advanced EM
 ST8A-1.5m-20.6W-840-EM | GTIN (EAN): 4058075818170
 ST8A-1.5m-20.6W-865-EM | GTIN (EAN): 4058075818194

More information:
ledvance.com/substitube

SAVE UP TO 60%¹ ENERGY

Product name	GTIN (EAN)	Replacement for ³	lm	lm/W		L70 ⁴	L80 ⁵	L90 ⁶	Dimensions L x W x H [mm]	No. Graphic
Damp Proof										
Damp Proof LED 1200 21W/4000K IP65	4058075000902	1 x 36W FL	2,400	115	105°	50,000h	35,000h	20,000h	1,200 x 95 x 78	01
Damp Proof LED 1200 39W/4000K GR IP65	40580750062108	2 x 36W FL	4,400	115	105°	50,000h	35,000h	20,000h	1,200 x 95 x 78	01
Damp Proof LED 1200 39W/6500K GR IP65	4058075000865	2 x 36W FL	4,400	115	105°	50,000h	35,000h	20,000h	1,200 x 95 x 78	01
Damp Proof LED 1500 30W/4000K IP65	4058075000940	1 x 58W FL	3,500	115	105°	50,000h	35,000h	20,000h	1,500 x 95 x 78	01
Damp Proof LED 1500 55W/4000K IP65	4058075000964	2 x 58W FL	6,400	115	105°	50,000h	35,000h	20,000h	1,500 x 95 x 78	01
Damp Proof LED 1500 55W/6500K IP65	4058075000889	2 x 58W FL	6,400	115	105°	50,000h	35,000h	20,000h	1,500 x 95 x 78	01
Damp Proof Compact										
DP Compact 1200 23W/4000K GR IP65	4058075062085	1 x 36W FL	2,800	120	120°	50,000h	35,000h	20,000h	1,290 x 86 x 68	02
DP Compact 1200 44W/4000K GR IP65	4058075062108	2 x 36W FL	5,400	120	120°	50,000h	35,000h	20,000h	1,290 x 86 x 68	02
DP Compact 1200 44W/6500K GR IP65	4058075062122	2 x 36W FL	5,400	120	120°	50,000h	35,000h	20,000h	1,290 x 86 x 68	02
DP Compact 1500 31W/4000K GR IP65	4058075062146	1 x 58W FL	3,800	120	120°	50,000h	35,000h	20,000h	1,590 x 86 x 68	02
DP Compact 1500 55W/4000K GR IP65	4058075062160	2 x 58W FL	6,700	120	120°	50,000h	35,000h	20,000h	1,590 x 86 x 68	02
DP Compact 1500 55W/6500K GR IP65	4058075062184	2 x 58W FL	6,700	120	120°	50,000h	35,000h	20,000h	1,590 x 86 x 68	02
Damp Proof Slim Value										
DP SLIM VALUE 1200 36W/4000K IP65	4058075066458	2 x 36W FL	4,000	110	120°	30,000h	—	—	1,200 x 35 x 48	03
DP SLIM VALUE 1200 36W/6500K IP65	4058075066472	2 x 36W FL	4,000	110	120°	30,000h	—	—	1,200 x 35 x 48	03
DP SLIM VALUE 1500 50W/4000K IP65	4058075066496	2 x 58W FL	5,500	110	120°	30,000h	—	—	1,500 x 35 x 48	03
DP SLIM VALUE 1500 50W/6500K IP65	4058075066519	2 x 58W FL	5,500	110	120°	30,000h	—	—	1,500 x 35 x 48	03
Damp Proof Housing for T8 LED lamps										
Damp Proof 1500 1xLamp Housing IP65	4058075000988	—	—	—	—	—	—	—	1,565 x 72 x 86	04
Damp Proof 1500 2xLamp Housing IP65	4058075001008	—	—	—	—	—	—	—	1,565 x 115 x 86	05

¹ Energy savings up to 60%. Compared to luminaire with traditional technologies. The possible power loss of traditional control gear solutions is part of the calculation of the anticipated energy savings
² Refer to www.ledvance.com/guarantee for precise conditions | ³ Replacement for usually used traditional equivalent | ⁴ t[h]: L70 @ 25°C (T_a) | ⁵ t[h]: L80 @ 25°C (T_a) | ⁶ t[h]: L90 @ 25°C (T_a)



HIGH BAY

- Replacement for traditional high-bay luminaires
- Energy savings of up to 60%¹
- High luminous efficacy with up to 135 lm/W
- Exclusive LEDVANCE design with optimized size and weight
- Different luminous flux and beam angles for different mounting heights available
- Accessories included
- Suitable e.g. for warehouse, industry, logistic centers, general lighting for high ceilings



SAVE UP TO 60%¹ ENERGY

Product name	GTIN (EAN)	Replacement for ³	lm	lm/W		L70 ⁴	L80 ⁵	L90 ⁶	Dimensions Ø x H [mm]	No. Graphic
High Bay (cable length: 1.5 m new products available from March 2018)										
High Bay LED 95W/4000K 90 DEG IP65	4058075074330	250W HID	13,000	135	90°	50,000h	35,000h	20,000h	285 x 129.5	01
High Bay LED 95W/4000K 110 DEG IP65	4058075074354	250W HID	13,000	135	110°	50,000h	35,000h	20,000h	285 x 129.5	01
High Bay LED 120W/4000K 100-240V IP65	4058075001039	250W HID	13,000	110	90°	50,000h	35,000h	20,000h	295 x 141	02
High Bay LED 120W/6500K 100-240V IP65	4058075811041	250W HID	13,500	115	90°	50,000h	35,000h	20,000h	295 x 143	02
High Bay LED 165W/4000K 70 DEG IP65	4058075074361	400W HID	22,000	135	70°	50,000h	35,000h	20,000h	376 x 139	02
High Bay LED 200W/4000K 100-240V IP65	4058075001053	400W HID	22,000	110	70°	50,000h	35,000h	20,000h	380 x 159	03
High Bay LED 200W/4000K 110 DEG IP65	4058075074385	400W HID	27,000	135	110°	50,000h	35,000h	20,000h	376 x 139	04
High Bay LED 200W/6500K 100-240V IP65	4058075811058	400W HID	23,000	120	70°	50,000h	35,000h	20,000h	380 x 159	03
High Bay LED 250W/4000K 100-240V IP65	4058075814776	400W HID	30,000	120	70°	50,000h	35,000h	20,000h	452 x 160	03
High Bay LED 250W/6500K 100-240V IP65	4058075814783	400W HID	30,000	120	70°	50,000h	35,000h	20,000h	452 x 160	03

¹ Energy savings up to 60%. Compared to luminaire with traditional technologies. The possible power loss of traditional control gear solutions is part of the calculation of the anticipated energy savings
² Refer to www.ledvance.com/guarantee for precise conditions | ³ Replacement for usually used traditional equivalent | ⁴ t[h]: L70 @ 25°C (T_a) | ⁵ t[h]: L80 @ 25°C (T_a) | ⁶ t[h]: L90 @ 25°C (T_a)