

Aspect Products



Please keep this leaflet for future reference

GENERAL NOTES

1. The MK 'Aspect' range of products consists of the main product, complete with its support frame and clipping medium, plus a separate front plate.
2. The front plate is supplied loose to aid installation.
3. Make sure not to crush or deform the spring steel clips situated along one edge of the product support frame.
4. A gasket is also supplied with each product, which may prove useful on uneven walls. See note 5 below.
5. Using the gasket with all switches and the German socket, will ensure full compliance with the appropriate standards.
6. Both standards set out to guarantee full engagement of the front plate on uneven surfaces, even when there is a mismatch of as much as 1mm between the distance the main body of the product is from the wall and that of the front plate.
7. Where no gasket is used, if thick wallpapers are cut such that they fit around the support frame and therefore remain under the edge of the front plate, full plate engagement with the clips may be restricted.

44273 PL Ed. AA

8. On normal walls, where this degree of uneven surface is not normally experienced, a more pleasing aesthetic flush fit can be achieved by omitting the gasket.

INSTALLATION

1. Ensure the depth of the back box is correct for the product and that it is fitted securely to the wall.
2. Install the cables in the normal way and, using the fixing screws supplied, mount the product, still minus its front plate, to the wall. It is important the correct headed screws are used as any other may clash with the rear of the front plate.
3. Do not over tighten the screws, so as to prevent damage or distortion to the product or support frame. Adjust so the frame sits squarely on the wall and the spring steel clip is parallel with the edge of the frame.
4. Once the module has been mounted to the wall, carefully take the front plate and with all 1-gang and landscape mounted 2-gang products, hook the left hand side of the plate onto the product support frame. Ensure the apertures line up north/south with switch/socket etc as the right hand side of the plate is slowly lowered over the module.
5. Lastly, while pushing the plate towards the right, apply finger pressure down the right hand side of the plate as shown in Fig. 1a and continue to increase the pressure until the plate is felt and heard to click into place. The clip features should now be fully engaged.

Figure 1a

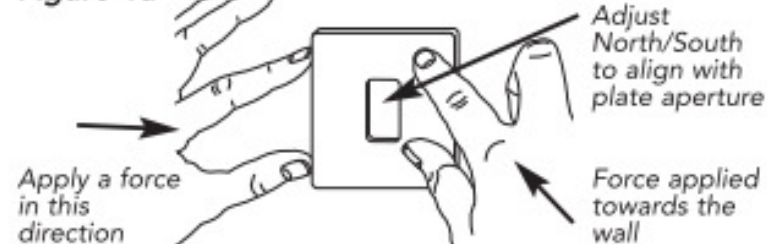
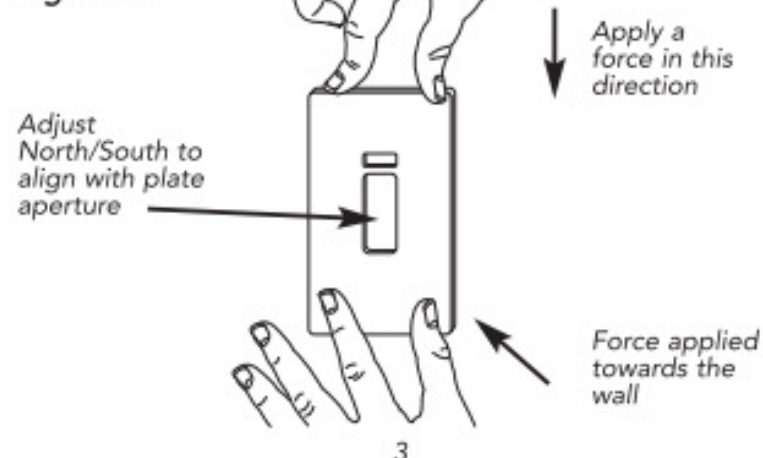


Figure 1b



6. When clipping a plate onto a portrait mounted 2-gang product, hook the top edge of the plate onto the product support frame. Then, ensuring the apertures line up with switch/socket etc. as the bottom edge of the plate is slowly lowered over the module.
7. This time, while pushing the plate down, apply finger pressure along the bottom of the plate, as shown in Fig. 1b and continue to increase the pressure until the plate is felt and heard to click into place. The clip features should now be fully engaged.

REMOVING THE FRONT PLATE

1-gang and landscape mounted 2-gang products

1. Turn off the power supply.
2. Carefully slide a screwdriver between the ramp on the main body of the product and the notch in the lower right hand edge of the plate.
3. On uneven walls, make sure the screwdriver does not go between the spring steel ramp and the wall, or damage to the wall and/or product could result.
4. Carefully slide the blade upwards and then gently lift the handle away from the wall, which will lever the plate away from the first clip. See Fig. 2.
5. With the first clip released, support the plate with one hand and continue to move the blade under the right hand side of the plate until being removed. See Fig. 3.

2

4

Figure 2

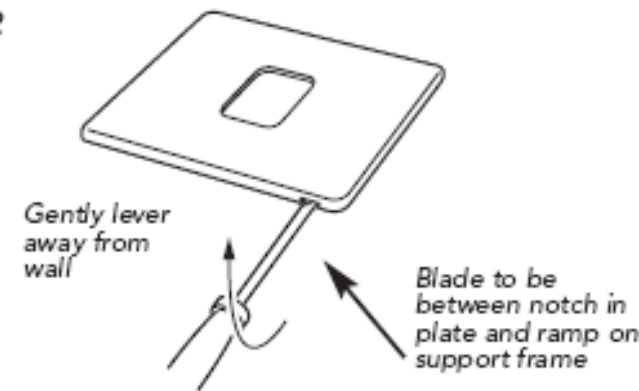
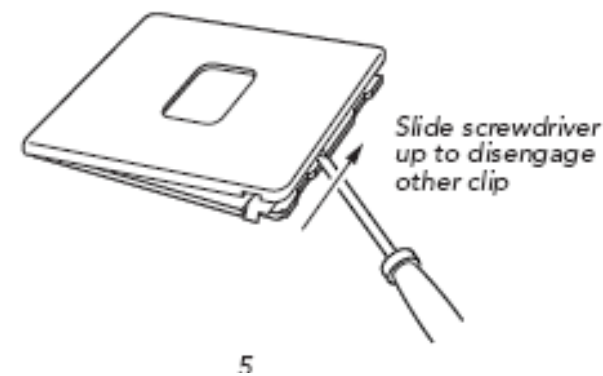


Figure 3



Portrait mounted 2-gang products

1. Turn off the power supply.
2. Carefully slide a screwdriver between the ramp on the main body of the product and the notch in the lower right hand edge of the plate.
3. On uneven walls, make sure the screwdriver does not go between the spring steel ramp and the wall, or damage to the wall and/or product could result.
4. Carefully slide the blade upwards and then gently lift the handle away from the wall, which will lever the plate away from the first clip. See Fig.4.
5. With the first clip released, support the plate with one hand and continue to move the blade to the left under the bottom edge of the plate until being removed. See Fig. 5.

DATA PRODUCTS IN EUROMOUNTING FRAMES

Products operating at extra low voltage levels (<50v) must not be mounted in the same euro enclosures as equipment rated in excess of 50v (e.g. mains socket)

CLEANING FRONT PLATES

In order to protect the quality surface finish of the front plate, periodic cleaning should only consist of polishing with a dry lint free soft cloth. On no account should abrasive or domestic cleaners be used.

6

Figure 4

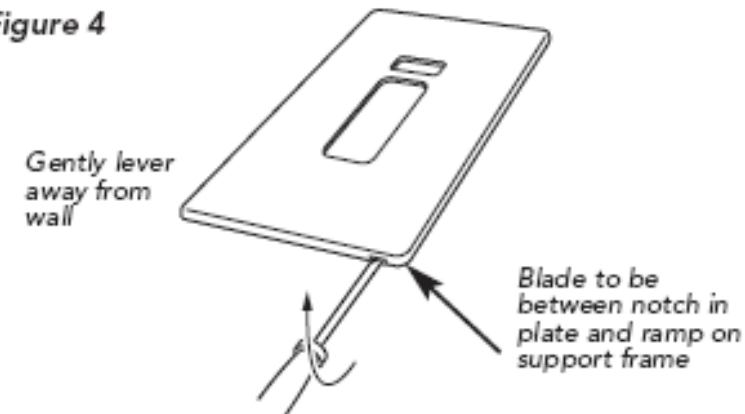
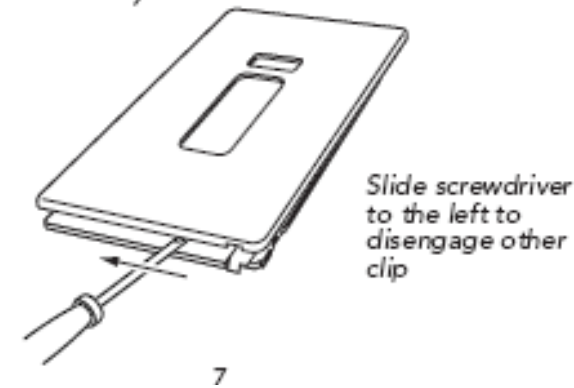


Figure 5



MK Electric
 Novar ED&S Ltd
 The Arnold Centre, Paycocke Road, Basildon,
 Essex SS14 3EA. U.K.

Tel: +44 (0) 1268 563000

Fax: 01268 563405 (UK Sales)

Fax: +44 (0) 1268 563360 (International)

email: technical@novar.com

web site: www.mkelectric.co.uk

Technical queries should be made to:
 MK Electric, Technical Sales and Services Department
 The Arnold Centre, Paycocke Road, Basildon, Essex SS14 3EA
 Tel: +44 (0)1268 563720 Fax: +44 (0)1268 563064

All marks in this document identified with a R or TM symbol adjacent to the mark are Trade Marks of Novar ED&S Limited.

8