



Visual Signals - Explosion Proof STAINLESS STEEL CALL POINT

Explosion Proof Manual Call Point > Stainless Steel CP125 Series

Product overview

The CP125 manual call point range has been approved for use in potentially explosive atmospheres and harsh environmental conditions.

Typical applications are Oil and Gas, On-shore and Offshore, Chemical, Petrochemical, Refineries & Marine locations etc.

It is compatible for use with a PLC, DCS and ESD systems via 4-20mA output. It is ideally suited for use in fire alarm systems and an addressable option with diode fitted is available.

The range also offers an additional visual LED indication option; red, green (or both) can be fitted. When fault or alarm status arises the green LED will be overridden by the red LED. The design allows for termination inside the unit.

Features/Certifications

- Approved by ATEX, IECEx
- CQST (Available on request only)
- ATEX: II 2G Exd IIC T4 - T6 (incorporating IIA & IIB)
- Zones 1, 2, 21 & 22
- Conforms to EN (IEC) 60079-0 EN (IEC) 60079-1 and EN54
- Dustproof & Weatherproof

CP125 Series > Ordering Information

Follow the chart (right) to generate your part code.

	Switch	Duty Label	Tag Label	LED Indicator	Features	Cable Entry	Finish Colour
CP125 +	S = Single Switch	Y = Yes	Y = Yes	L = Red & Green R = Red	F = Lift Flap R = Resistor (specify)	A = M20	RD = Red YW = Yellow BU = Blue
	D = Double Switch	N = No	N = No	G = Green N = No LED	D = Diode (specify) N = No Features	B = M25	BL = Black OR = Other

MODEL CONFIGURATOR (By using the table above, complete this box sequence to select your required manual call point).

CP125							
	Switch	Duty Label	Tag Label	LED Indicator	Features	Cable Entry	Finish Colour

Note: All customers orders will be confirmed in writing. Care should be taken that the correct code has been ordered as be-spoke manufactured products cannot be returned for exchange or credit later.

Kg 4.9

°C -40+70

IP 66

INDUSTRIAL

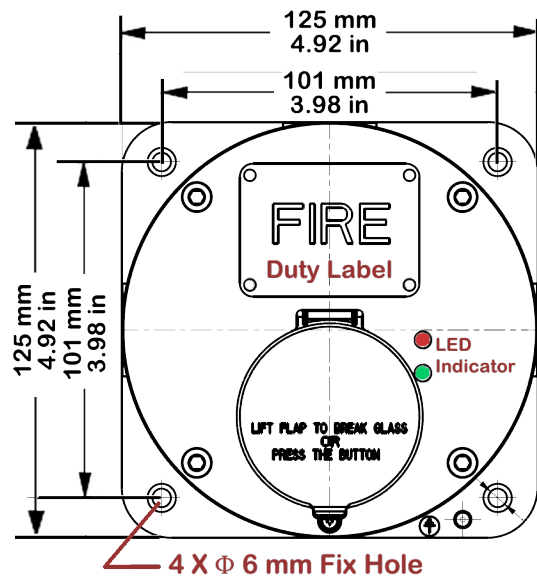
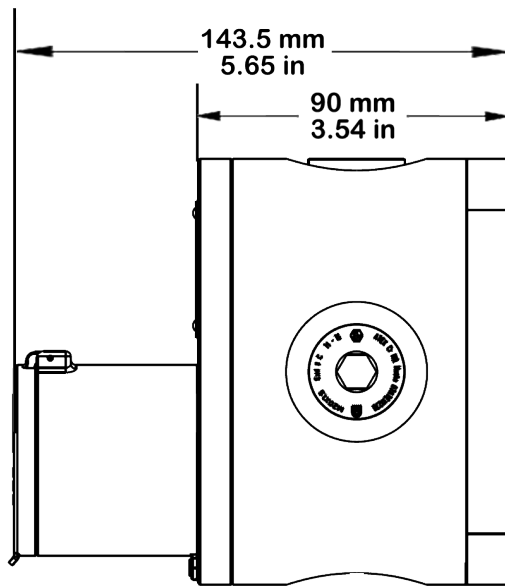
MARINE

FIRE

STAINLESS STEEL

APPROVALS and CONFORMITIES





Explosion Proof Manual Call Point > Stainless Steel CP125 Series

General Information

EX CODE:	Exd IIC T4 - T6
CERTIFICATION:	ATEX (Nemko 14 5426X), IECEx (NEM 14.0012X) CQST (Available on request only)
TYPE:	Manual Call Point

Mechanical Specifications

MATERIAL:	Enclosure: Stainless Steel 316
ENCLOSURE COLOUR:	Red (RAL3001), Yellow (RAL1003) Blue (RAL5005), Black (RAL9004)
AMBIENT TEMPERATURE:	-40 to +70
HUMIDITY:	≤ 95% RH
WEIGHT:	4.9 Kg / 10.8 lb
DIMENSIONS:	Width/Length: 125mm / 4.92" Height: 143mm / 5.65"
INGRESS PROTECTION:	IP 66

Electrical Specifications

SWITCH RATING:	30v Dc: 6A (Resistive), 6A (Inductive) 250v Ac: 11A (Resistive), 6A (Inductive)
OUTPUT:	On-Off Output (NC/NO)
TERMINATION:	Accepts upto ≤ 2.5mm ² incorporating rising clamp protectors
CABLE ENTRY:	4 x M20 or M25 For 1/2" or 3/4" NPT requirements, male/female adapter glands are available. Contact sales dept for further part codes.

Accessories

50210:	M20 E1EX Stainless Steel Gland (Multi Armour Cone) Atex Cat 2 & 3, EExde IIC 2 GD Cable ID 11 - 15.5mm OD 14.5 - 21mm Gland for Multi Armoured Cable *
50211:	M20 A2EX Stainless Steel Gland Atex Cat 2 & 3, EExde IIC 2 GD Cable OD 11 - 15.5mm Gland for Unarmoured Cable *
50212:	M20 E1EX-QS Stainless Steel Gland (Ex d IIC, Ex e IIC, Ex nR IIC, Ex tb IIIC) Cable OD 14.5 - 20.5mm Barrier Gland for Steel and Aluminium Armoured Cable *
50213:	M20 A2EX Quick Stop Stainless Steel Gland (Ex d IIC, Ex nR IIC, Ex tb IIC) Cable OD 9 - 15mm Barrier Gland for Unarmoured Cable *
50214:	M20 Stainless Steel Stopping Plug Atex EExde I/IIC Standard M20 Blanking Plug
50221:	Epoxy Minute Adhesive 24m/l tube One tube sufficient for five barrier glands
* 15mm	Thread length for Stainless Steel products
Note:	M25 options available for the above