

5 5 Years
Product Warranty
UK Only

3 3 Years
On-Site Warranty
Main-land UK Only



DD 2 Mini

08756 DD212/4P-SCT

LED DD 2 Mini 4pin 6/8/10/12W 2700/4000/6500K

- Wattage switchable 6W/8W/10W/12W
- Save energy by up to 65%
- Colour temperature switchable 2700K/4000K/6500K
- Replacement for 16W fluorescent DD lamps used with magnetic ballast
- Compatible with Kosnic emergency module for instant conversion
- Flicker free



Overview

Kosnic's range of LED DD lamps takes a fresh approach to functional lighting with a design philosophy offering compatible emergency packs and microwave sensor so that there are no barriers to retrofitting LEDs in commercial fittings.

IP20



General Information

Ambient Temperature Range (°C)	-20°C to 40°C
IP Rating	IP20
Installation Area	Internal

Compliance

LVD	EN 62031:2020, EN 62493:2015+A1:2022
EMC	EN 55015:2019+A11:2020, EN 61000-3-2:2019+A1:2021, EN 61000-3-3:2013+A1:2019+A2:2021, EN 61547:2023
Others	UKCA, CE, RoHS, WEEE

Technical Summary

Product Code	DD212/4P-SCT
Input Voltage Supply	220-240Vac 50/60Hz
Inrush Current (peak/duration) (A)	2.55 A / 40 µs
Settable Wattages	6W, 8W, 10W, 12W
Power Factor	0.85
Settable Colour Temperatures	2700K, 4000K, 6500K
SDCM of CCT	<6
CRI	82
Dimmable	N
Flicker	<2%
Lumens Output Maximum	1,720 lm
Maximum Efficiency	145 lm/W
Maintained Luminous Flux	170 lm
L70B50 Lifetime (h) @ Ta 25 °C	30,000 h
Nominal Lifetime (h)	30,000 h
Glow wire temperature(°C)	650
Blue Light Hazard	RG1
Weight	0.12Kg
Dimensions (L x W x D) (mm)	150x150x35
Beam Angle - Lumi (°)	120
LS Energy Efficiency Class	D

Tel: 01635 523 713

Email: sales@kosnic.com

Kosnic.com



Kosnic Lighting KosnicUK KosnicLightingUK

5 5 Years
Product Warranty
UK Only

3 3 Years
On-Site Warranty
Main-land UK Only

DD 2 Mini



08756 DD212/4P-SCT

Accessories

Product Code	Description	Type
DDLAMPHLD	LED DD Lamp holder for 4pin GR10q	Housing

Power (W)	Current (mA)	CCT (K)	Power Factor	Lumen (lm)
6	33	2700	0.8	780
6	33	4000	0.8	830
6	33	6500	0.8	820
8	42	2700	0.82	1060
8	42	4000	0.82	1150
8	42	6500	0.82	1120
10	52	2700	0.84	1330
10	52	4000	0.84	1450
10	52	6500	0.84	1390
12	61	2700	0.85	1550
12	61	4000	0.85	1720
12	61	6500	0.85	1630

Overview

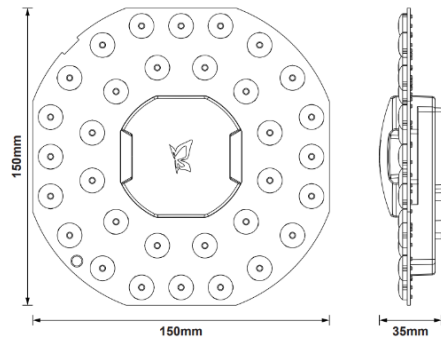
Kosnic's range of LED DD lamps takes a fresh approach to functional lighting with a design philosophy offering compatible emergency packs and microwave sensor so that there are no barriers to retrofitting LEDs in commercial fittings.

IP20



General Information

Ambient Temperature Range (°C)	-20°C to 40°C
IP Rating	IP20
Nominal Lifetime (h)	30,000 h
Installation Area	Internal



Tel: 01635 523 713

Email: sales@kosnic.com

Kosnic.com



5 5 Years
Product Warranty
UK Only

3 3 Years
On-Site Warranty
Main-land UK Only

DD 2 Mini

08756 DD212/4P-SCT



Overview

Kosnic's range of LED DD lamps takes a fresh approach to functional lighting with a design philosophy offering compatible emergency packs and microwave sensor so that there are no barriers to retrofitting LEDs in commercial fittings.

IP20



General Information

Ambient Temperature Range (°C)	-20°C to 40°C
IP Rating	IP20
Nominal Lifetime (h)	30,000 h
Installation Area	Internal

Tel: 01635 523 713

Email: sales@kosnic.com

Kosnic.com

