

PRODUCT CODE: MP600450
ECO-FRIENDLY STANDARD FOOT



DESCRIPTION

600mm Eco-Friendly Standard Foot

FINISH

Foot: Black / Channel: Self finish

MATERIAL

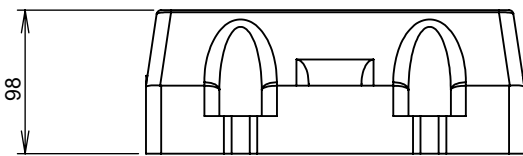
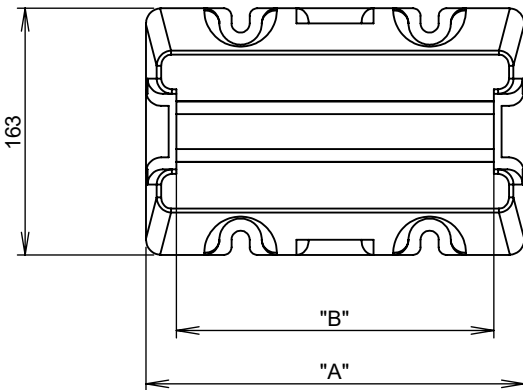
Foot: SBR Recycled Rubber / Channel: Aluminium

PACKAGING


Supplied individually

ADDITIONAL NOTES

Suitable for internal & external applications between -40°C to +80°C
'Bonded' 41 x 21mm channel designed for use with standard channel fixings



MODEL NO.	"A"	"B"	MAX LOAD PER PAIR
MP250160	250	210	300 kg
MP400240	400	360	320 kg
MP600450	600	560	500 kg
MP1000645	1000	960	800 kg

 Values are nominal and with a general tolerance $\pm 5\%$ unless otherwise specified