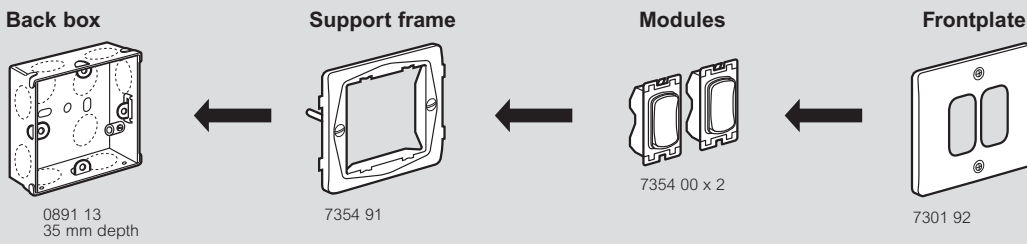


Synergy® grid system

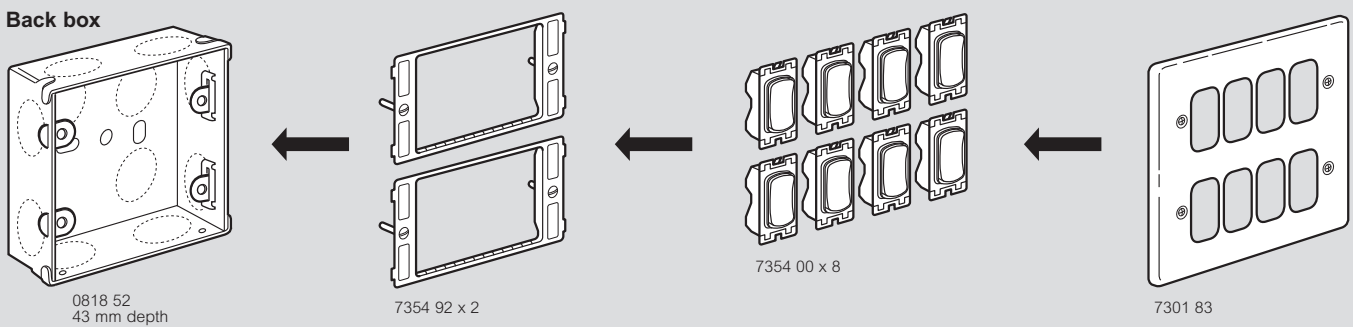
installation options : flush and surface mounting

Flush mounting installation examples

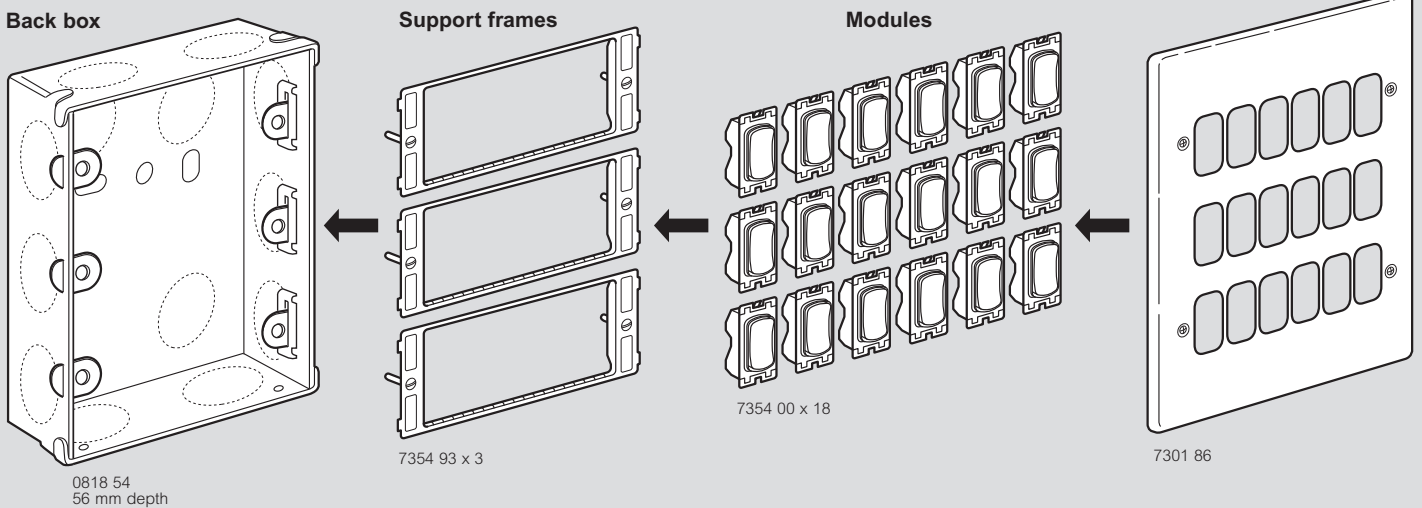
2 modules



8 modules



18 modules



Surface mounting installations

Surface mounting of Synergy grid modules can be achieved by using components illustrated in the table below

| | 1 or 2 modules | 3 or 4 modules | 6 or 8 modules | 9 or 12 modules |
|-------------------------------------|----------------|----------------|----------------|-----------------|
| Box dimensions | | | | |
| Surface box (no knockouts) | 7364 00 | 7364 01 | 7364 18 | 7364 28 |
| Surface box (with knockouts) | 7364 20 | 7364 21 | 7364 22 | 7364 32 |

Support frame selection for front plates (1-4 modules)

Support frames required for clip-on plates differ from support frames for screw-attached faceplates
 Support frames required for Modern clip-on plates are Cat. Nos. 7354 81 (1 or 2 modules) and 7354 82 (3 or 4 modules)
 Support frames required for white, traditional and metalclad plates (screw attached) are Cat. Nos. 7354 90 (1 module), 7354 91 (2 modules), and 7354 92 (3 or 4 modules)