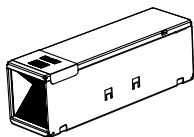
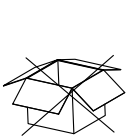
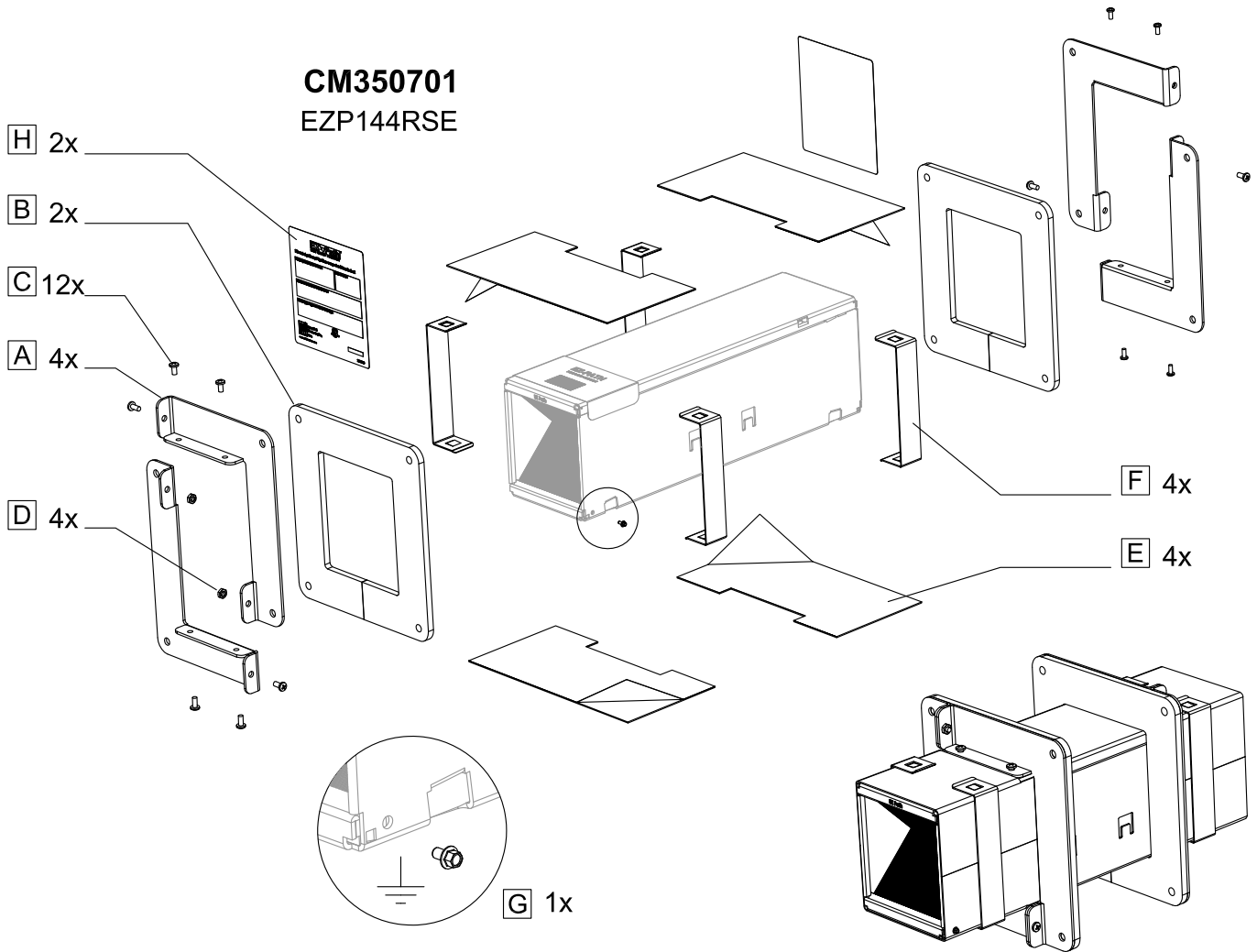
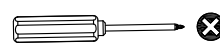
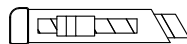
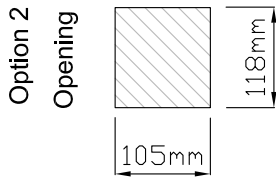
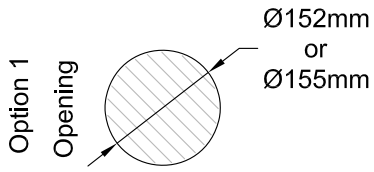


CM350701
EZP144RSE

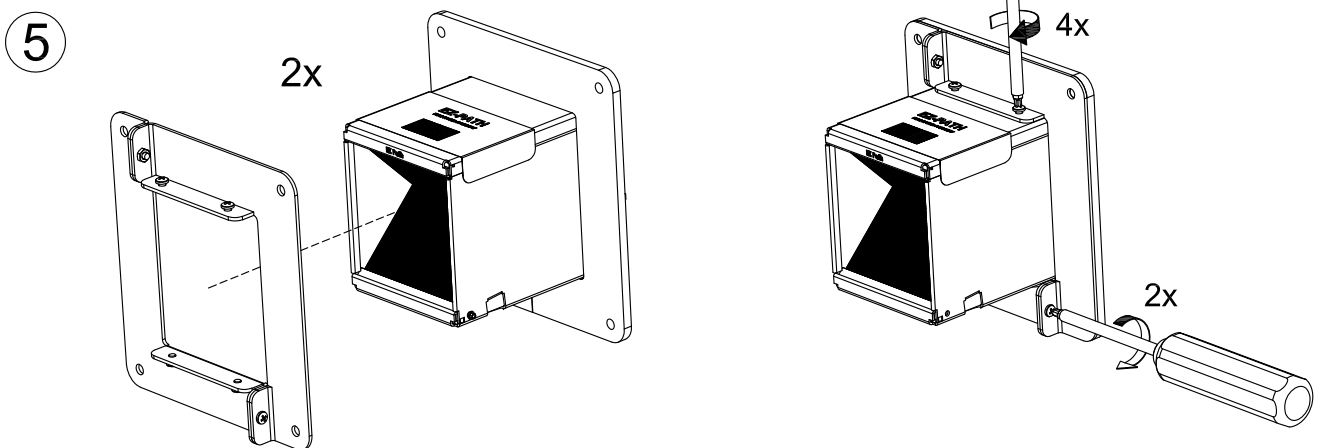
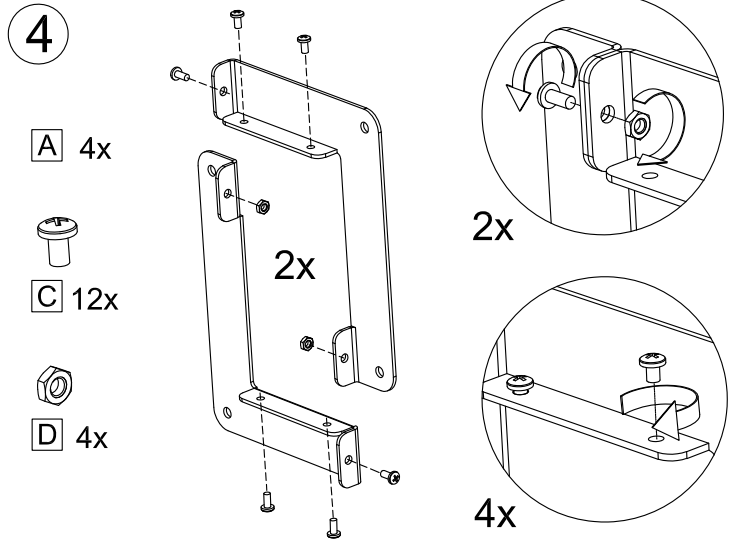
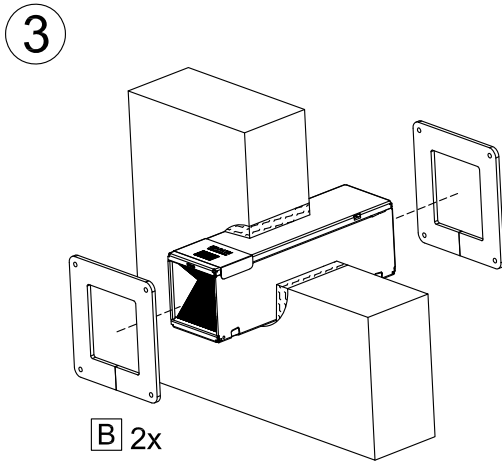
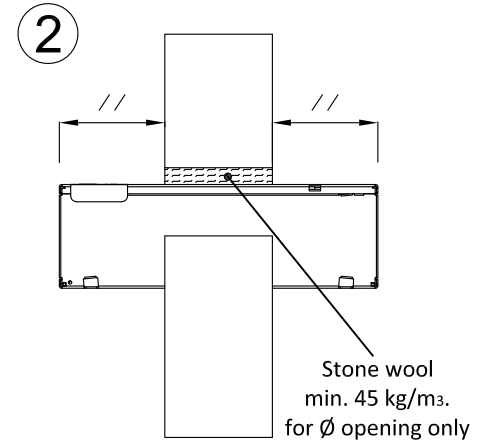
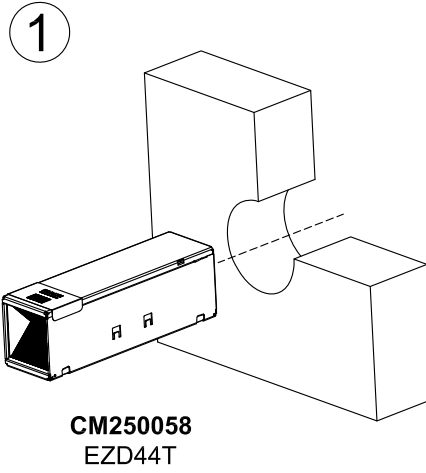


CM250058
EZD44T

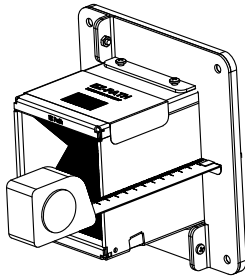




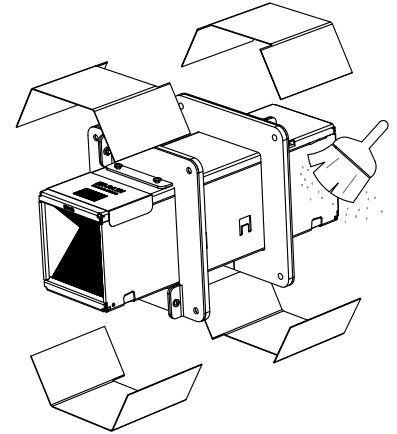
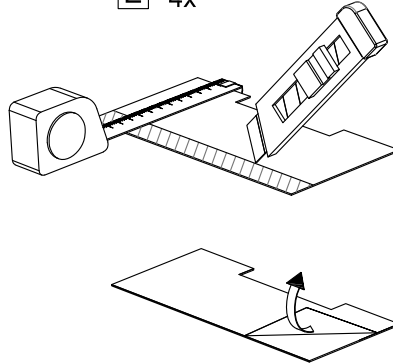
Application Sheet CM350701



6

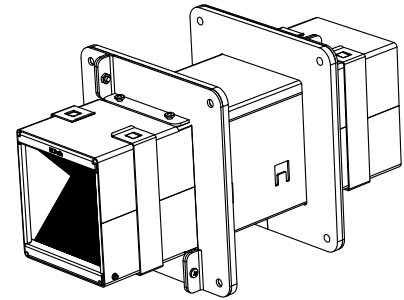
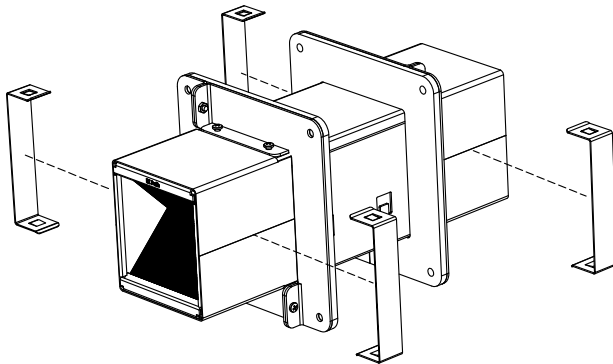


E 4x



7

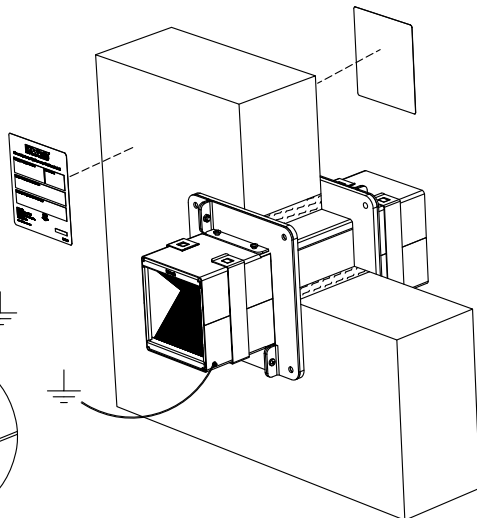
E 4x



8



H 2x



9

G 1x

