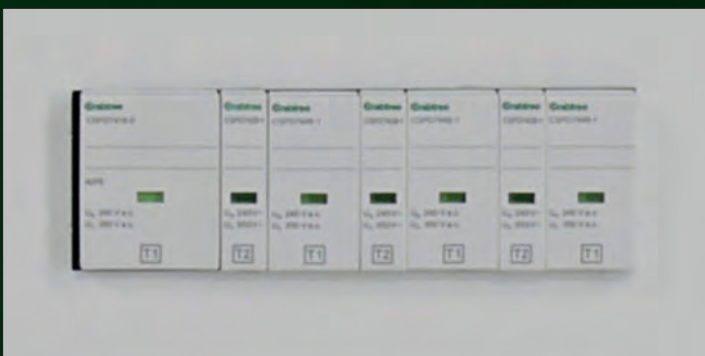
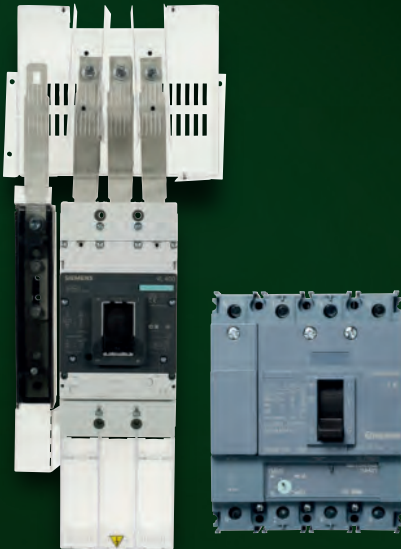


Devices

- MCCBs 16A - 160A
- Single, Triple and Four Pole
- ICU = 16 - 55kA @ 415V in accordance with BS EN 60947-2
- Complete range of accessories eg. shunt trip, UVR
- Extension terminals to accommodate oversized cables

System

- Form 3b Type 2 (TP&N Version)
- Form 4b Type 6 Group Mounted (4P Version)
- Up to 65kA for 1s Icw
- Cableways with fully removable side walls to facilitate access for cabling
- Keyhole fixings easily accessible with power tools
- Complete range of enclosure accessories eg. Add-on TPN Distribution Board
- Easy wire metering solutions
- Optional Overvoltage Protection Units and Outgoing Earth Leakage Protection
- RAL 7035 Grey Powder Coat Finish
- Designed and manufactured in the UK, in accordance with BS EN 61439-3
- Customised Factory Built Assembly Available





7PBVF1100

25kA I_{cu} @ 415V AC FIXED OVERLOAD & FIXED SHORT CIRCUIT PROTECTION

Rated Current	SP
16A	7PBVF116
20A	7PBVF120
25A	7PBVF125
32A	7PBVF132
40A	7PBVF140
50A	7PBVF150
63A	7PBVF163
80A	7PBVF180
100A	7PBVF1100
125A	7PBVF1125
160A	7PBVF1160

Rated Current	TP
16A	7PBVF316
20A	7PBVF320
25A	7PBVF325
32A	7PBVF332
40A	7PBVF340
50A	7PBVF350
63A	7PBVF363
80A	7PBVF380
100A	7PBVF3100
125A	7PBVF3125
160A	7PBVF3160

Rated Current	4P
16A	7PBVF416
20A	7PBVF420
25A	7PBVF425
32A	7PBVF432
40A	7PBVF440
50A	7PBVF450
63A	7PBVF463
80A	7PBVF480
100A	7PBVF4100
125A	7PBVF4125
160A	7PBVF4160



7PBVN350

25kA I_{cu} @ 415V AC ADJUSTABLE THERMAL & FIXED SHORT CIRCUIT PROTECTION

Rated Current	TP
16A	7PBVN316
20A	7PBVN320
25A	7PBVN325
32A	7PBVN332
40A	7PBVN340
50A	7PBVN350
63A	7PBVN363
80A	7PBVN380
100A	7PBVN3100
125A	7PBVN3125
160A	7PBVN3160

Rated Current	4P
16A	7PBVN416
20A	7PBVN420
25A	7PBVN425
32A	7PBVN432
40A	7PBVN440
50A	7PBVN450
63A	7PBVN463
80A	7PBVN480
100A	7PBVN4100
125A	7PBVN4125
160A	7PBVN4160

POWERSTAR VM160 ENCLOSURES - SELECTION TABLE

Description	250A Panel Board	400A Panel Board	800A Panel Board	Notes
TPN PANEL BOARDS				
6-Way TPN Panelboard	17VM32506	17VM34006	-	Form 3b Type 2
12-Way TPN Panelboard	17VM32512	17VM34012	-	Form 3b Type 2
18-Way TPN Panelboard	17VM32518	17VM34018	-	Form 3b Type 2
4 Pole Panel Boards				
4-Way 4 Pole Panelboard	-	-	17VM48004	Form 4b Type 6 GM
8-Way 4 Pole Panelboard	-	-	17VM48008	Form 4b Type 6 GM
12-Way 4 Pole Panelboard	-	-	17VM48012	Form 4b Type 6 GM
INCOMING KITS - 250A				
Incoming Copper Interconnections 250A TP	17VL3250CK	-	-	(1) Interconnections (+)
Incoming Device 250A TP SW DIS	17VL3250SW	-	-	(2) Device
Incoming Copper Interconnections 250A 4P	17VL4250CK	-	-	(1) Interconnections (+)
Incoming Device 250A 4P SW DIS	17VL4250SW	-	-	(2) Device
Incoming Copper Interconnections 250A TP	17VL3250CK	-	-	(1) Interconnections (+)
Incoming Device 250A 3P MCCB	17VL3250MCCB	-	-	(2) Device
Incoming Copper Interconnections 250A 4P	17VL4250CK	-	-	(1) Interconnections (+)
Incoming Device 250A 4P MCCB	17VL4250MCCB	-	-	(2) Device
250A Direct Connection Kit	17VL4250DC	-	-	(1) Interconnections Only
INCOMING KITS - 400A				
Incoming Copper Interconnections 400A TP	-	17VL3400CK	17VL83400CK	(1) Interconnections (+)
Incoming Device 400A TP SW DIS	-	17VL3400SW	17VL3400SW	(2) Device
Incoming Copper Interconnections 400A 4P	-	17VL4400CK	17VL84400CK	(1) Interconnections (+)
Incoming Device 400A 4P SW DIS	-	17VL4400SW	17VL4400SW	(2) Device
Incoming Copper Interconnections 400A TP	-	17VL3400CK	17VL83400CK	(1) Interconnections (+)
Incoming Device 400A 3P MCCB	-	17VL3400MCCB	17VL3400MCCB	(2) Device
Incoming Copper Interconnections 400A 4P	-	17VL4400CK	17VL84400CK	(1) Interconnections (+)
Incoming Device 400A 4P MCCB	-	17VL4400MCCB	17VL4400MCCB	(2) Device
400A Direct Connection Kit	-	17VL4400DC	17VL8400DC	(1) Interconnections Only
INCOMING KITS - 630A				
Incoming Copper Interconnections 630A TP	-	-	17VL83630CK	(1) Interconnections (+)
Incoming Device 630A TP SW DIS	-	-	17VL3630SW	(2) Device
Incoming Copper Interconnections 630A 4P	-	-	17VL84630CK	(1) Interconnections (+)
Incoming Device 630A 4P SW DIS	-	-	17VL4630SW	(2) Device
Incoming Copper Interconnections 630A TP	-	-	17VL83630CK	(1) Interconnections (+)
Incoming Device 630A 3P MCCB	-	-	17VL3630MCCB	(2) Device
Incoming Copper Interconnections 630A 4P	-	-	17VL84630CK	(1) Interconnections (+)
Incoming Device 630A 4P MCCB	-	-	17VL4630MCCB	(2) Device
630A Direct Connection Kit	-	-	17VL8630DC	(1) Interconnections Only
INCOMING KITS - 800A				
Incoming Copper Interconnections 800A TP	-	-	17VL3800CK	(1) Interconnections (+)
Incoming Device 800A TP SW DIS	-	-	17VL3800SW	(2) Device
Incoming Copper Interconnections 800A 4P	-	-	17VL4800CK	(1) Interconnections (+)
Incoming Device 800A 4P SW DIS	-	-	17VL4800SW	(2) Device
Incoming Copper Interconnections 800A TP	-	-	17VL3800CK	(1) Interconnections (+)
Incoming Device 800A 3P MCCB	-	-	17VL3800MCCB	(2) Device
Incoming Copper Interconnections 800A 4P	-	-	17VL4800CK	(1) Interconnections (+)
Incoming Device 800A 4P MCCB	-	-	17VL4800MCCB	(2) Device
800A Direct Connection Kit	-	-	17VL800DC	(1) Interconnections Only
TERMINAL EXTENSIONS FOR INCOMER DEVICES - TP INCOMERS				
TP Front Connecting Bars	17VL9300-4ED30	17VL9400-4ED30	17VL9600-4ED30	-
TP Box Terminals	17VL9300-4TC30	17VL9400-4TC30	-	-
TP Circular Conductor Terminals	17VL9300-4TD30	17VL9400-4TD30	-	-
TP Multiple Feed In Terminal	-	17VL9460-4TF30	17VL9600-4TG30	-
TP Screw Connection Terminals	17VL9300-4TA30	17VL9300-4TA30	17VL9600-4TA30	-
TERMINAL EXTENSIONS FOR INCOMER DEVICES - 4P INCOMERS				
4P Front Connecting Bars	17VL9300-4ED40	17VL9400-4ED40	17VL9600-4ED40	-
4P Box Terminals	17VL9300-4TC40	17VL9400-4TC40	-	-
4P Circular Conductor Terminals	17VL9300-4TD40	17VL9400-4TD40	-	-
4P Multiple Feed In Terminal	-	17VL9460-4TF40	17VL9600-4TG40	-
4P Screw Connection Terminals	17VL9300-4TA40	17VL9400-4TA40	17VL9600-4TA40	-
METER CABLEWAYS				
Size 1: Four Meter Knock-Out Cableway	17VM1MCW	-	-	250A 6W
Size 2: Six Meter Knock-Out Cableway	17VM2MCW	17VM2MCW	-	250A 12W or 400A 6W
Size 3: Seven Meter Knock-Out Cableway	17VM3MCW	17VM3MCW	17VM3MCW	250A 18W or 400A 12W or 800A 4W
Size 4: Nine Meter Knock-Out Cableway	-	17VM4MCW	17VM4MCW	400A 18W or 800A 8W
Size 5: Ten Meter Knock-Out Cableway	-	-	17VM5MCW	800A 12W
Corner Unit	17VMCU	17VMCU	17VMCU	2 x Required For Any Add-On Enclosure

POWERSTAR VM160 ENCLOSURES - SELECTION TABLE

Description	250A Panel Board	400A Panel Board	800A Panel Board	Notes
EARTH LEAKAGE CABLEWAYS				
Size 1: Three E/L Cut-Out Cableway	17VM1ECW	-	-	250A 6W
Size 2: Four E/L Cut-Out Cableway	17VM2ECW	17VM2ECW	-	250A 12W or 400A 6W
Size 3: Five E/L Cut-Out Cableway	17VM3ECW	17VM3ECW	17VM3ECW	250A 18W or 400A 12W or 800A 4W
Size 4: Six E/L Cut-Out Cableway	-	17VM4ECW	17VM4ECW	400A 18W or 800A 8W
Size 5: Seven E/L Cut-Out Cableway	-	-	17VM5ECW	800A 12W
ADD-ON ENCLOSURES				
Add-on 2 x 250A TP Outgoing MCCBs (3P)	-	17VM3P2502	-	400A Board Only
Add-on 2 x 250A 4P Outgoing MCCBs (4P)	-	-	17VM4P2502	800A Board Only
Add-on Control Module Enclosure - 24 mod	17VM24CME	17VM24CME	17VM24CME	-
Add-on SPN Distribution Board - 19 mod	17VMSPNDB	17VMSPNDB	17VMSPNDB	-
Add-on TPN Distribution Board - 19 mod	17VMTPNDB	17VMTPNDB	17VMTPNDB	-
Add-on Cable Spreader Box	17VM1CSB	17VM1CSB	17VM1CSB	-
INCOMING METERING - STANDARD				
250A 3-Phase Meter Kit - Std	17VM250IMKSTD	-	-	-
400A 3-Phase Meter Kit - Std	-	17VM400IMKSTD	17VM8400IMKSTD	-
630A 3-Phase Meter Kit - Std	-	-	17VM8630IMKSTD	-
800A 3-Phase Meter Kit - Std	-	-	17VM8800IMKSTD	-
INCOMING METERING - MID				
250A 3-Phase Meter Kit - MID	17VM250IMKMID	-	-	-
400A 3-Phase Meter Kit - MID	-	17VM400IMKMID	17VM8400IMKMID	-
630A 3-Phase Meter Kit - MID	-	-	17VM8630IMKMID	-
800A 3-Phase Meter Kit - MID	-	-	17VM8800IMKMID	-
OUTGOING CIRCUITS METERING - STANDARD				
160A Meter Kit - Std	17VM160MKSTD	17VM160MKSTD	17VM160MKSTD	-
250A Meter Kit - Std	-	17VM250MKSTD	17VM250MKSTD	Use with 2W Add-On Only
OUTGOING CIRCUITS METERING - MID				
160A Meter Kit - MID	17VM160MKMID	17VM160MKMID	17VM160MKMID	-
250A Meter Kit - MID	-	17VM250MKMID	17VM250MKMID	Use with 2W Add-On Only
ACCESSORIES				
Meter Pack Voltage Supply Cable Loom	17VMVSLK	17VMVSLK	17VMVSLK	-
Earth Leakage Pack Voltage Supply Loom	17VMVSLK	17VMVSLK	17VMVSLK	-
Additional 160:5 Std CT	17VM160MKCT	17VM160MKCT	17VM160MKCT	-
Additional 250:5 Std CT	-	17VM250MKCT	17VM250MKCT	-
OUTGOING EARTH LEAKAGE PROTECTION				
35mm Internal Diameter	17VMEL35	17VMEL35	17VMEL35	-
70mm Internal Diameter	17VMEL70	17VMEL70	17VMEL70	-
OVERVOLTAGE PROTECTION				
Surge Arrester Kit	17VMTPSA	17VMTPSA	-	-
Surge Arrester Kit 4P	-	-	17VM4PSA	-
Lightning Arrester Kit	17VMTPLA	17VMTPLA	-	-
Lightning Arrester Kit 4P	-	-	17VM4PLA	-
Combo Lightning & Surge Arrester kit	17VMTPCLSA	17VMTPCLSA	-	-
Combo Lightning & Surge Arrester kit 4P	-	-	17VM4PCLSA	-
ACCESSORIES				
SP MCCB Blanking Kit (Door Blank & Busbar Cap)	17VMSPBK	17VMSPBK	17VMSPBK	-
TP MCCB Blanking Kit (Door Blank & Busbar Caps)	17VMTPBK	17VMTPBK	17VMTPBK	-
4P MCCB Blanking Kit (Door Blank & Busbar Caps)	17VM4PBK	17VM4PBK	17VM4PBK	-
SPARES & ACCESSORIES				
Terminal Bar Oversize Cable Clamps - Size 1 (Set of 3)	17VMSPCC	17VMSPCC	17VMSPCC	-
Terminal Bar Oversize Cable Clamps - Size 2 (Set of 3)	17VMSPCC2	17VMSPCC2	17VMSPCC2	-
Gland Plate Panelboard	17VMSPGPP	17VMSPGPP	17VMSPGPP	-
Gland Plate Cableway	17VMSPGPC	17VMSPGPC	17VMSPGPC	-
Aluminium Gland Plate Panelboard (3mm)	17VMSPGPAP	17VMSPGPAP	17VMSPGPAP	-
Aluminium Gland Plate Cableway (3mm)	17VMSPGPAC	17VMSPGPAC	17VMSPGPAC	-
Brass Gland Plate Panelboard (1.6mm)	17VMSPGPBP	17VMSPGPBP	17VMSPGPBP	-
Brass Gland Plate Cableway (1.6mm)	17VMSPGPBC	17VMSPGPBC	17VMSPGPBC	-
Incoming Earth Connection	17VMSPIEK	17VMSPIEK	17VMSPIEK	-
Door Hinge (Set of 2)	17VMSPHG	17VMSPHG	17VMSPHG	-
Lock & Key (Set)	17VMSPLK	17VMSPLK	17VMSPLK	-
Door Latch	17VMSPDL	17VMSPDL	17VMSPDL	-
Set of Replacement Fixings	17VMSPF1	17VMSPF1	17VMSPF1	-
Terminal Bar - 11 Connections	17VMSPTB1	17VMSPTB1	17VMSPTB1	-
Terminal Bar - 21 Connections	17VMSPTB2	17VMSPTB2	17VMSPTB2	-
Terminal Bar - 31 Connections	17VMSPTB3	17VMSPTB3	17VMSPTB3	-
Shield Way Label - 6 Way	17VMSPWL1	17VMSPWL1	17VMSPWL1	-
Shield Way Label - 12 Way	17VMSPWL2	17VMSPWL2	17VMSPWL2	-
Shield Way Label - 18 Way	17VMSPWL3	17VMSPWL3	17VMSPWL3	-
Shield Way Label (4P) - 4 Way	17VMSPWL4	17VMSPWL4	17VMSPWL4	-
Shield Way Label (4P) - 8 Way	17VMSPWL5	17VMSPWL5	17VMSPWL5	-
Shield Way Label (4P) - 12 Way	17VMSPWL6	17VMSPWL6	17VMSPWL6	-

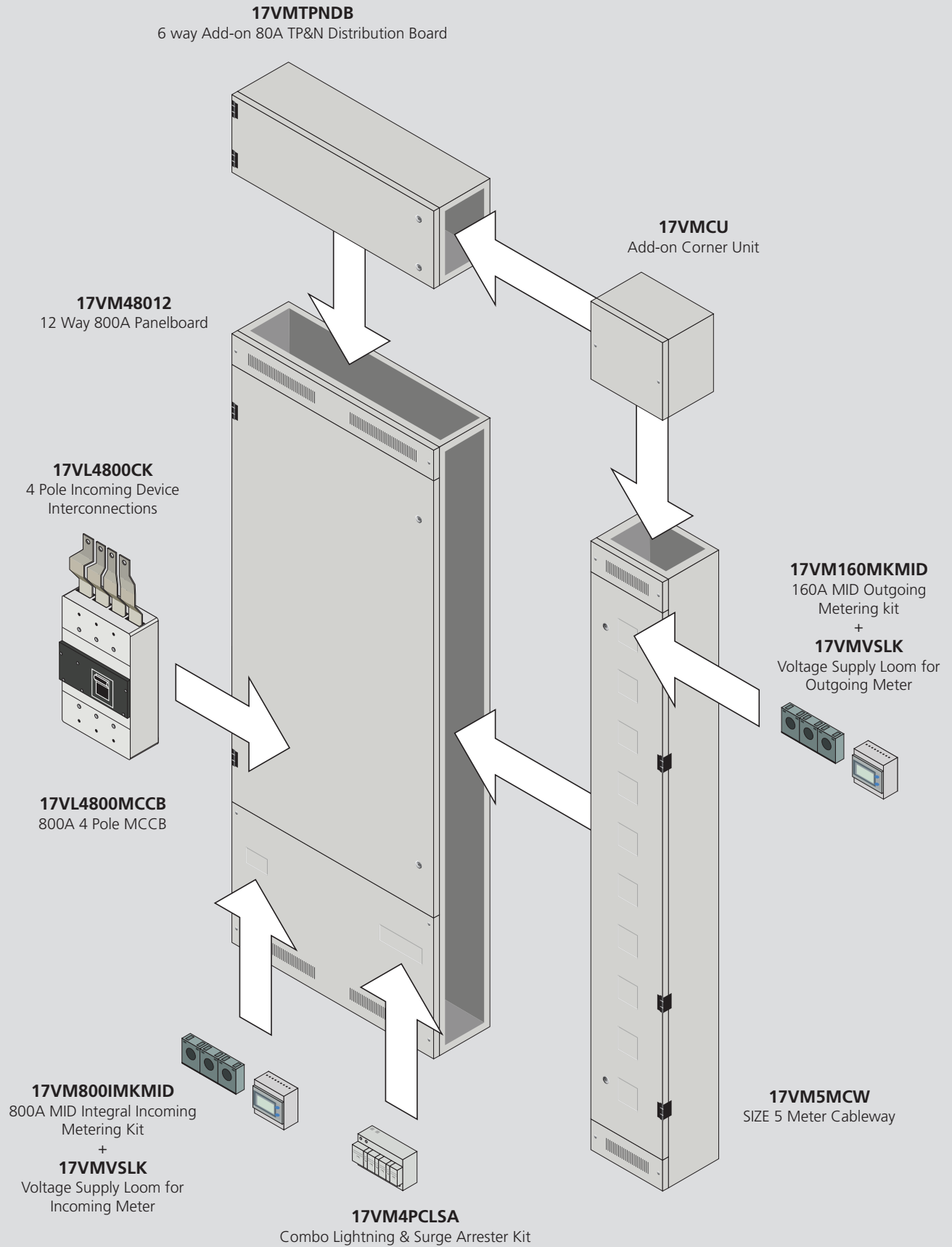
POWERSTAR VM160 DEVICES - SELECTION TABLE

Description	SP	2P	3P	4P
25KA FIXED THERMAL FIXED MAGNETIC				
16A with Box Terminals	7PBVF116	7PBVF216	7PBVF316	7PBVF416
20A with Box Terminals	7PBVF120	7PBVF220	7PBVF320	7PBVF420
25A with Box Terminals	7PBVF125	7PBVF225	7PBVF325	7PBVF425
32A with Box Terminals	7PBVF132	7PBVF232	7PBVF332	7PBVF432
40A with Box Terminals	7PBVF140	7PBVF240	7PBVF340	7PBVF440
50A with Box Terminals	7PBVF150	7PBVF250	7PBVF350	7PBVF450
63A with Box Terminals	7PBVF163	7PBVF263	7PBVF363	7PBVF463
80A with Box Terminals	7PBVF180	7PBVF280	7PBVF380	7PBVF480
100A with Box Terminals	7PBVF1100	7PBVF2100	7PBVF3100	7PBVF4100
125A with Box Terminals	7PBVF1125	7PBVF2125	7PBVF3125	7PBVF4125
160A with Box Terminals	7PBVF1160	7PBVF2160	7PBVF3160	7PBVF4160
25KA ADJUSTABLE THERMAL FIXED MAGNETIC				
16A with Box Terminals	-	-	7PBVN316	7PBVN416
20A with Box Terminals	-	-	7PBVN320	7PBVN420
25A with Box Terminals	-	-	7PBVN325	7PBVN425
32A with Box Terminals	-	-	7PBVN332	7PBVN432
40A with Box Terminals	-	-	7PBVN340	7PBVN440
50A with Box Terminals	-	-	7PBVN350	7PBVN450
63A with Box Terminals	-	-	7PBVN363	7PBVN463
80A with Box Terminals	-	-	7PBVN380	7PBVN480
100A with Box Terminals	-	-	7PBVN3100	7PBVN4100
125A with Box Terminals	-	-	7PBVN3125	7PBVN4125
160A with Box Terminals	-	-	7PBVN3160	7PBVN4160
36KA ADJUSTABLE THERMAL FIXED MAGNETIC				
16A with Box Terminals	-	-	7PBVS316	7PBVS416
20A with Box Terminals	-	-	7PBVS320	7PBVS420
25A with Box Terminals	-	-	7PBVS325	7PBVS425
32A with Box Terminals	-	-	7PBVS332	7PBVS432
40A with Box Terminals	-	-	7PBVS340	7PBVS440
50A with Box Terminals	-	-	7PBVS350	7PBVS450
63A with Box Terminals	-	-	7PBVS363	7PBVS463
80A with Box Terminals	-	-	7PBVS380	7PBVS480
100A with Box Terminals	-	-	7PBVS3100	7PBVS4100
125A with Box Terminals	-	-	7PBVS3125	7PBVS4125
160A with Box Terminals	-	-	7PBVS3160	7PBVS4160
200A with Box Terminals	-	-	7PBVS3200	7PBVS4200
250A with Box Terminals	-	-	7PBVS3250	7PBVS4250
55KA ADJUSTABLE THERMAL FIXED MAGNETIC				
16A with Box Terminals	-	-	7PBVM316	7PBVM416
20A with Box Terminals	-	-	7PBVM320	7PBVM420
25A with Box Terminals	-	-	7PBVM325	7PBVM425
32A with Box Terminals	-	-	7PBVM332	7PBVM432
40A with Box Terminals	-	-	7PBVM340	7PBVM440
50A with Box Terminals	-	-	7PBVM350	7PBVM450
63A with Box Terminals	-	-	7PBVM553	7PBVM463
80A with Box Terminals	-	-	7PBVM380	7PBVM480
100A with Box Terminals	-	-	7PBVM3100	7PBVM4100
125A with Box Terminals	-	-	7PBVM3125	7PBVM4125
160A with Box Terminals	-	-	7PBVM3160	7PBVM4160
200A with Box Terminals	-	-	7PBVM3200	7PBVM4200
250A with Box Terminals	-	-	7PBVM3250	7PBVM4250

Accessories	
MCCB Dolly Locking Device	17VMDLD
Auxiliary Switch 1C/O	17VMAUXCC
Trip Alarm Switch 1C/O	17VMTAS
Undervolts Release 110V 50Hz	17VMAUV/110
Undervolts Release 208...230V 50Hz	17VMAUV/230
Undervolts Release 125...127VDC	17VMAUV/125
Shunt Trip 24VAC, 12...30VDC	17VMAST/24
Shunt Trip 220...250VAC or DC	17VMAST/230
3VM1 TP Terminal Extensions - 150mm ²	17VM3TES150
3VM1 4P Terminal Extensions - 150mm ²	17VM4TES150
3VM TP Front Connection Bars	17VM3160FCB
3VM 4P Front Connection Bars	17VM4160FCB

Accessories	
3VM Aux Cable Terminal for Cable Clamp	17VM160CACT
3VM Aux Cable Terminal for Busbar	17VM160BACT
SP 3VM Short Terminal Shroud	17VM9111-0WD10
TP 3VM Short Terminal Shroud	17VM9111-0WD30
4P 3VM Short Terminal Shroud	17VM9111-0WD40
TP 3VM Long Terminal Shroud	17VM9111-0WF30
4P 3VM Long Terminal Shroud	17VM9111-0WF40
160A Neutral Link Outgoing	17VMN11
250A Neutral Link Outgoing	17VMN12
250A Neutral Link Incoming	17VMN122
400A Neutral Link Incoming	17VMN124

POWERSTAR VM160 SELECTION GUIDE



Rated uninterrupted current (Iu)		(A)	160A			
Poles			1	3,4		
Rated current (In)		(A)	16...160A			
Service Voltage (Ue)	AC (50/60Hz)	(V)	415	500		
	DC	(V)	125	500		
Impulse withstand voltage (Uim)		(kV)	8	8		
Insulation Voltage(Ui)		(V)	500	690		
Circuit breaker in accordance with IEC 60947-2			√	√		
Ultimate Breaking capacity (Icu)			F	F/N	S	M
AC 50/60Hz 220/230V		(kA)	25	37	55	85
AC 50/60Hz 380/415V		(kA)	5	25	36	55
AC 50/60Hz 440V		(kA)	-	16	25	36
AC 50/60Hz 500V		(kA)	-	7	7	10
Service Breaking capacity (Ics)						
AC 50/60Hz 220/230V		(kA)	18	27	27	63
AC 50/60Hz 380/415V		(kA)	3	18	18	41
AC 50/60Hz 440V		(kA)	-	12	12	27
AC 50/60Hz 500V		(kA)	-	5	5	5
Utilisation Cat			A			
Trip unit						
TM210	FTFM		√	√		
TM220	ATFM			√		
MCCB Rated operational current In @ 50°C		(A)	16...160A			
Mechanical life	No. Of Ops		12000	12000		
Electrical life	No. Of Ops		6000	6000		
Dimensions	W	mm	25.4	76.2 (3P)/ 101.6 (4P)		
	D	mm	70	70		
	H	mm	130	130		
Electromagnetic capability			CISPR11 Class A and B			
			IEC 60947-1 Appendix S			
			IEC 60947-2 Appendix B, F, J and N			
Ambient conditions	Pollution Degree		IEC 60947-1 IEC 60664-1 Pollution degree 3			
	Temperature Range	Operation	-25°C to +70°C			
		Storage	-25°C to +80°C			

Individual product sheets are available

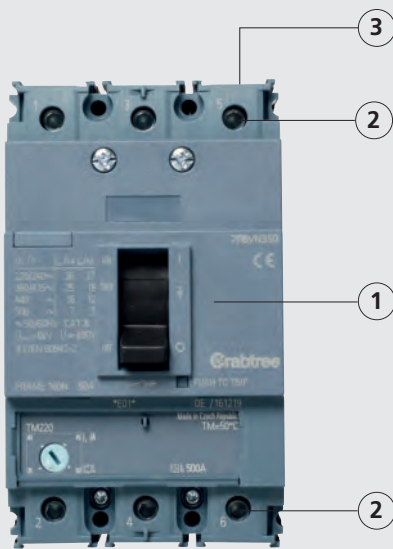
DERATING FACTORS FOR INSTALLATIONS ABOVE 2000M

	Height			
	2000m	3000m	4000m	5000m
Breaking capacity I_{cu} / I_{cs}	1.00	0.90	0.80	0.70
Operating voltage U_{max}	1.00	0.90	0.80	0.70
Operating current $I_{max}^{1)}$	1.00	0.96	0.92	0.88
Current setting $I_r^{2)}$	1.00	1.02	1.04	1.06

¹⁾ At maximum ambient temperature 50°C

²⁾ Thermal-magnetic trip units only

DEGREES OF PROTECTION



- ① Front panel without termination area
- ② Front panel termination area
- ③ Infeed/load ends

Level	Accessories cover		Terminal cover	
	Without	With	Without	With
①	--	IP4X	--	--
②	--	--	IP2X	--
③	--	--	--	IP3X

PROTECTION RELEASE FUNCTIONS

	TM210	TM220
Ir Adjustable	--	√
Ii Adjustable	--	--
Ir Fixed	√	--
Ii Fixed	√	√

Typ/Model:

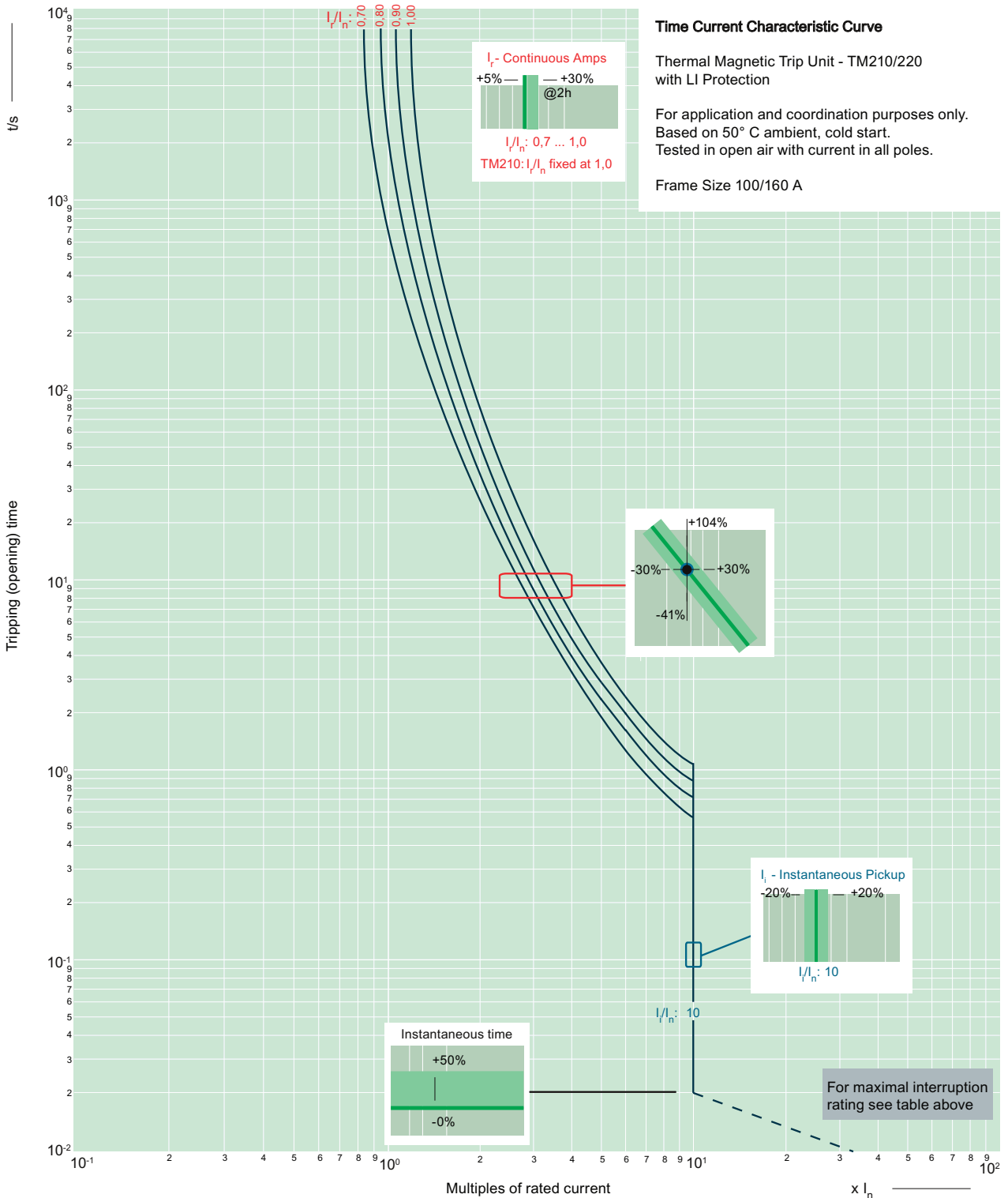
TM210/220

Tripping Curve VM160 with TM210/220

English

Disclaimer of liability:

The content of the document has been carefully reviewed. However, we can not guarantee the accuracy or completeness of the document. We reserved the right to alter at any time.



TECHNICAL DATA POWERSTAR VM160 - Z_s VALUES

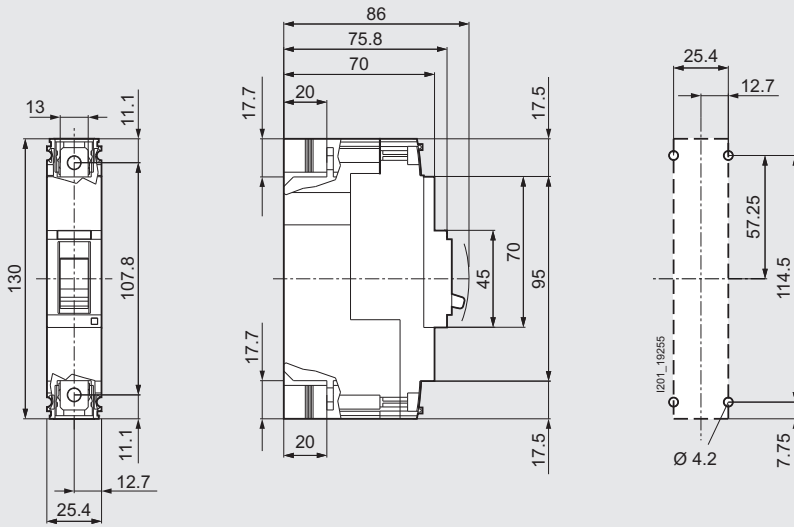
MAX Z_s VALUES BASED ON 230V PHASE TO EARTH VOLTAGE IN ACCORDANCE WITH BS 7671 FOR TM210 PROTECTION

In A	5s Disconnection	0.4s Disconnection
	Ohms	Ohms
16A	1.62	0.57
20A	1.60	0.57
25A	1.69	0.57
32A	1.40	0.57
40A	1.13	0.46
50A	0.77	0.36
63A	0.82	0.29
80A	0.48	0.23
100A	0.37	0.18
125A	0.15	0.14
160A	0.11	0.11

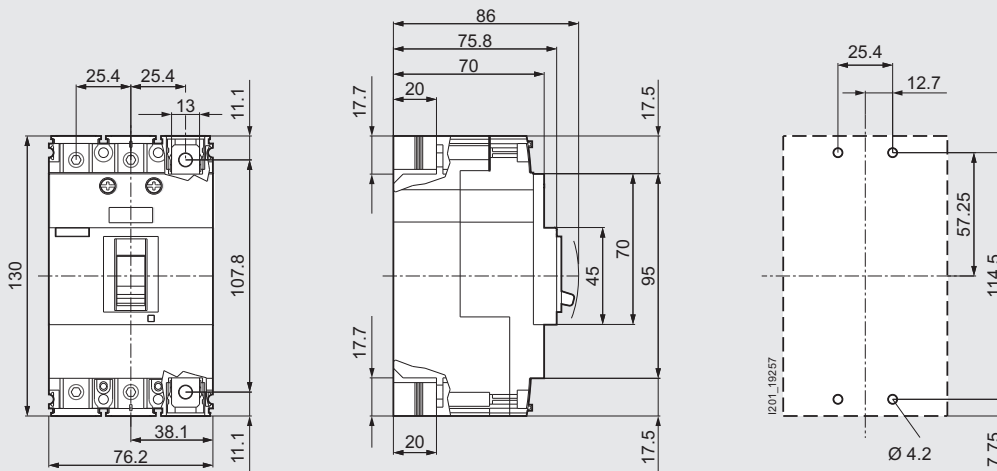
MAX Z_s VALUES BASED ON 230V PHASE TO EARTH VOLTAGE IN ACCORDANCE WITH BS 7671 FOR TM220 PROTECTION

In A	5s Disconnection		0.4s Disconnection	
	Ir set at MIN	Ir set at MAX	Ir set at MIN	Ir set at MAX
	Ohms		Ohms	
16A	2.31	1.62	0.64	0.57
20A	2.28	1.59	0.69	0.57
25A	2.42	1.69	0.73	0.57
32A	2.00	1.39	0.61	0.57
40A	1.61	1.12	0.49	0.46
50A	1.11	0.77	0.36	0.36
63A	1.17	0.82	0.37	0.29
80A	0.68	0.47	0.23	0.23
100A	0.52	0.36	0.18	0.18
125A	0.14	0.14	0.14	0.14
160A	0.16	0.11	0.11	0.11

100/160 FRAME SINGLE POLE



100/160A FRAME TRIPLE POLE



100/160A FRAME 4 POLE

