

## References

### Front operation - Switch body with a shunt trip coil 230 VAC

Rating (A)	No. of poles	Switch body	Direct handle	External handle	Shaft for external handle	Auxiliary contact position	Auxiliary contact tripping	Terminal shrouds	Terminal screens	Inter phase barrier				
250 A	3 P	3500 3026	Black 3999 6203	S3 type Black IP55 1431 3511 <sup>(1)</sup>  S3 type Red/Yellow IP55 1432 3511	200 mm 1401 1520 320 mm 1401 1532 <sup>(1)</sup>	1 <sup>st</sup> contact NO/NC 3999 0051 2 <sup>nd</sup> contact NO/NC 3999 0052	1 contact NO/NC 3999 0031	3 P 3998 3040 <sup>(2)</sup> 4 P 3998 4040 <sup>(2)</sup>						
	4 P	3500 4026												
400 A	3 P	3500 3041												
	4 P	3500 4041												
630 A	3 P	3500 3064												
	4 P	3500 4064												
800 A	3 P	3500 3081												
	4 P	3500 4081												
1250 A	3 P	3500 3121												
	4 P	3500 4121												
1600 A	3 P	3500 3161												
	4 P	3500 4161												
1800 A	3 P	3500 3180												
	4 P	3500 4180												
													3 P 2998 0003 4 P 2998 0004	

(1) Standard.

(2) Top/bottom.

### Side operation - Switch body with a shunt trip coil 230 VAC

Rating (A)	No. of poles	Switch body	Direct handle	External handle	Shaft for external handle	Auxiliary contact position	Auxiliary contact tripping	Terminal shrouds	Terminal screens	Inter phase barrier				
250 A	3 P	3505 3026	Black 3999 6012 <sup>(1)</sup> Red 3999 6013	S3 type Black IP55 1435 3511 <sup>(1)</sup>  S3 type Red IP55 1436 3511	200 mm 1403 1520	1 <sup>st</sup> contact NO/NC 3999 0051 2 <sup>nd</sup> contact NO/NC 3999 0052	1 contact NO/NC 3999 0031	3 P 3998 3040 <sup>(2)</sup> 4 P 3998 4040 <sup>(2)</sup>						
	4 P	3505 4026												
400 A	3 P	3505 3041												
	4 P	3505 4041												
630 A	3 P	3505 3064												
	4 P	3505 4064												
800 A	3 P	3505 3081												
	4 P	3505 4081												
1250 A	3 P	3505 3121												
	4 P	3505 4121												
1600 A	3 P	3505 3161												
	4 P	3505 4161												
1800 A	3 P	3505 3180												
	4 P	3505 4180												
													3 P 2998 3120 <sup>(2)</sup> 4 P 2998 4120 <sup>(2)</sup>	

(1) Standard.

(2) Top/bottom.

# SIDERMAT

Load break switches for power distribution  
from 250 to 1800 A with tripping function

## Accessories

### External operation handle

For front operation				
Rating (A)	Handle type	Handle colour	External IP <sup>(1)</sup>	Reference
250 ... 1800	S3	Black	IP55	1431 3511 <sup>(2)</sup>
250 ... 1800	S3	Red / Yellow	IP55	1432 3511

(1) IP: protection degree according to IEC 60529. (2) Standard.

For side operation				
Rating (A)	Handle type	Handle colour	External IP <sup>(1)</sup>	Reference
250 ... 1800	S3	Black	IP55	1435 3511 <sup>(2)</sup>
250 ... 1800	S3	Red	IP55	1436 3511

(1) IP: protection degree according to IEC 60529. (2) Standard.



Handle type S3

### Direct operation handle

For front operation		
Rating (A)	Handle colour	Reference
250 ... 1800	Black	3999 6203

For side operation		
Rating (A)	Handle colour	Reference
250 ... 1800	Black	3999 6012



### Alternative colour Type S handle cover

#### Use

For single lever S3 type handles.

Other colours: please contact us.

Colour	To be ordered in multiples of	Handle type	Reference
Light grey	50	S3	1401 0001
Dark grey	50	S3	1401 0011



### Type S handle adapter

#### Use

Enables S-type handles to be fitted in place of existing older style Socomec handles.

#### Dimensions

Adds 12 mm to the handle depth.

Handle colour	To be ordered in multiples of	External IP <sup>(1)</sup>	Reference
Black	1	IP65	1493 0000

(1) IP: protection degree according to IEC 60529.



### Shaft for external operation

#### Use

Standard lengths:

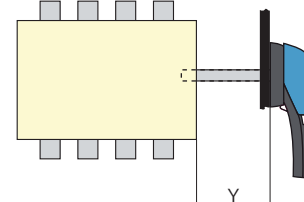
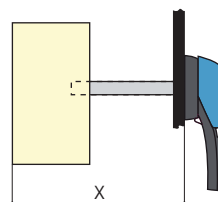
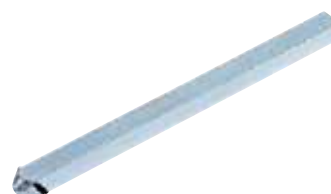
- 200 mm,
- 320 mm.

Other lengths: please contact us.

For front operation			
Rating (A)	Dimension X (mm)	Shaft length (mm)	Reference
250 ... 630	275 ... 439	200 mm	1401 1520
250 ... 630	275 ... 559	320 mm	1401 1532 <sup>(1)</sup>
800	296 ... 460	200 mm	1401 1520
800	296 ... 580	320 mm	1401 1532 <sup>(1)</sup>
1250 ... 1800	291 ... 455	200 mm	1401 1520
1250 ... 1800	291 ... 575	320 mm	1401 1532 <sup>(1)</sup>

(1) Standard.

For side operation			
Rating (A)	Dimension Y (mm)	Shaft length (mm)	Reference
800 ... 1800	110 ... 279	200	1403 1520



# FUSERBLOC and high speed fuses (uR)

Fuse combination switches

protection of power semi-conductors up to 1250 A

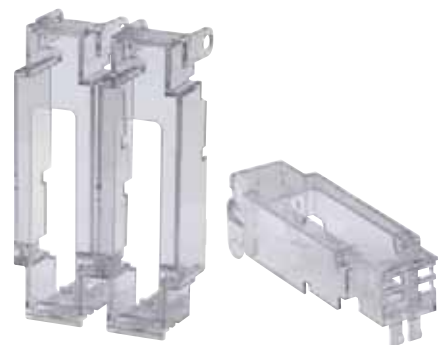
## Accessories

Terminal shrouds for FUSERBLOC fitted fuse blown microswitch

### Use

Protection against direct contact with live parts situated in the fuse compartment for FUSERBLOC fitted with uR fuses with fuse blown auxiliary contacts.

Rating (A)	Fuses <sup>(1)</sup>	No. of poles	Option <sup>(2)</sup>	Accessories <sup>(3)</sup>
			(factory mounted)	(customer-mounted)
			References	References
160	00	2 P	3990 7015	3999 7015
160	00	3 P	3990 8015	3999 8015
160	00	4 P	3990 9015	3999 9015
160	0	2 P	3990 7016	3999 7016
160	0	3 P	3990 8016	3999 8016
160	0	4 P	3990 9016	3999 9016
250	1	2 P	3990 7024	3999 7024
250	1	3 P	3990 8024	3999 8024
250	1	4 P	3990 9024	3999 9024
400	2	2 P	3990 7039	3999 7039
400	2	3 P	3990 8039	3999 8039
400	2	4 P	3990 9039	3999 9039
630	3	3 P	3890 8063	3899 8063
630	3	4 P	3890 9063	3899 9063



access\_221\_a

(1) For the fuses: see "Fuses uR 10 to 2000 A" page 354.

(2) If ordered at the same time as the standard device.

(3) If ordered later.

Other accessories: see "FUSERBLOC" page 264.

## FUSERBLOC for uR fuses type K/50

### Characteristics

FUSERBLOC V 800 A for BK fuses size 2														
Fuse rating (A)	400	450	500	550	630	700	800	900	1000	1100	1250			
Max. I for the FUSERBLOC (A)	380	420	440	450	500	520	530	530	530	540	550			
FUSERBLOC 1250 A for fuse size 3														
Fuse rating (A)	500	550	630	700	800	900	1000	1100	1250	1400	1500	1600	1800	2000
Max. I for the FUSERBLOC (A)	500	550	620	630	720	790	870	940	1050	1100	1100	1100	1100	1100

### References

#### Front operation

Rating (A) / Fuse	No. of poles	Switch body only <sup>(1)</sup>	Direct handle	External handle	Shaft for external handle	Fuse protection covers	Auxiliary contact pre-break and position	Terminal shrouds
800 A / 2	3 P	3680 3081	3999 6012	Black IP55 1443 3111 <sup>(2)</sup> Red / Yellow IP65 1444 3111	200 mm 1400 1220 320 mm 1400 1232	included	Consult us	3998 3063
	4 P	3680 6081						3998 4063
1250 A / 3	3 P	3680 3121						3998 3120
	4 P	3680 6121						3998 4120

(1) Please consult us.

(2) Standard.

## References

### BS88 - Front and side operation - Switch body with a shunt trip coil - 230 VAC

Rating (A) Fuse <sup>(1)</sup>	No. of poles	Front operation Switch body	Side operation Switch body	Direct handle <sup>(2)</sup>	External handle	Shaft for external handle	Auxiliary contact position	Auxiliary contact tripping	Terminal shrouds <sup>(3)</sup>	Terminal screens <sup>(4)</sup>	Inter phase barrier					
250 A B1-B2-B3	3 P	3660 3026	3665 3026	Front operation Black 3999 6012	S3 type  Front operation Black IP55 1431 3511 <sup>(2)</sup> Red IP55 1432 3511	Front operation 200 mm 1401 1520 320 mm 1401 1532 <sup>(2)</sup>	1 <sup>st</sup> contact NO/NC 3999 0051  2 <sup>nd</sup> contact NO/NC 3999 0052	1 contact NO/NC 3999 0031	3 P 3998 3040	4 P 3998 4040						
	4 P	3660 6026	3665 6026													
400 A B1-B2- B3-B4	3 P	3660 3041	3665 3041													
	4 P	3660 6041	3665 6041													
630 A C1-C2	3 P	3660 3064	3665 3064						Side operation Black IP55 1435 3511 <sup>(2)</sup> Red IP55 1436 3511	Side operation 200 mm 1403 1520					3998 3063	3998 4063
	4 P	3660 6064	3665 6064													
800 A C1-C2-C3	3 P	3660 3080	3665 3080	Front operation Black 3999 6012					3 P 3998 3120 4 P 3998 4120	3 P 2998 0003 4 P 2998 0004						
	4 P	3660 6080	3665 6080													
1250 A D1	3 P	3660 3121	3665 3121	Side operation Black 3999 6012												
	4 P	3660 6121	3665 6121													

(1) For the fuses: see "BS88 industrial fuselinks" page 338.

(2) Standard.

(3) Top/bottom.

(4) Bottom terminals protection screen as standard.

# FUSOMAT

Visible breaking and tripping fuse switches  
from 250 to 1250 A

## Accessories

### Direct handle

Front operation		
Rating (A)	Handle colour	Reference
250 ... 630	Black	3999 6201
800 ... 1250	Black	3999 6012
250 ... 1250	Red	consult us

Side operation		
Rating (A)	Handle colour	Reference
250 ... 1250	Black	3999 6012
250 ... 1250	Red	3999 6013



access\_156\_a\_2\_cat

### External handle

Front operation				
Rating (A)	Handle type	Handle colour	External IP	Reference
250 ... 1250	S3	Black	IP55	1431 3511
250 ... 1250	S3	Red	IP55	1432 3511

Side operation				
Rating (A)	Handle type	Handle colour	External IP	Reference
250 ... 1250	S3	Black	IP55	1435 3511
250 ... 1250	S3	Red	IP55	1436 3511



access\_151\_a\_1\_cat



access\_166\_a\_2\_cat

S3 type handle

S3 type handle

### S-type handle adapter

#### Use

Enables S-type handles to be fitted in place of existing older style Socomec handles.

#### Dimensions

Adds 12 mm to the depth of the handle.

Handle colour	To be ordered in multiples of	External IP <sup>(1)</sup>	Reference
Black	1	IP65	1493 0000

(1) IP: protection degree according to IEC 60529 standard.



access\_187\_a\_1\_cat

### Alternative S-type handle cover colours

#### Use

For single lever S3 type handles.

Other colours: Please consult us.

Colour	To be ordered in multiples of	Handle	Reference
Light grey	50	S3 type	1401 0001
Dark grey	50	S3 type	1401 0011
Light grey	50	S4 type	1401 0031
Dark grey	50	S4 type	1401 0041



access\_198\_a\_2\_cat

### Shaft for external handle

#### Use

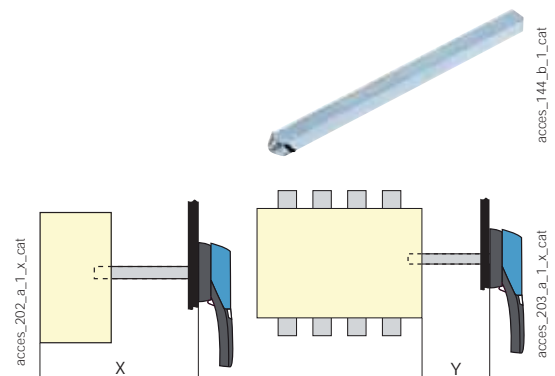
Standard lengths:

- 200 mm
- 320 mm.

Other lengths: Please consult us.

Front operation				
Rating (A)	Dimension X (mm)	Shaft length (mm)	Type	Reference
250 ... 400	300 ... 422	200	15 x 12	1401 1520
250 ... 400	300 ... 542	320	15 x 12	1401 1532
630 ... 1250	345 ... 467	200	15 x 12	1401 1520
630 ... 1250	345 ... 587	320	15 x 12	1401 1532

Side operation				
Rating (A)	Dimension Y (mm)	Shaft length (mm)	Type	Reference
250 ... 1250	78 ... 200	200	15 x 12	1403 1520



access\_202\_a\_1\_x\_cat

access\_144\_b\_1\_cat

access\_203\_a\_1\_x\_cat