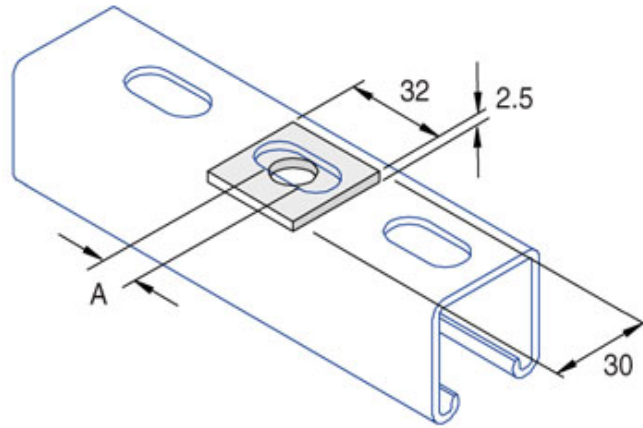


Standard Dimensions:x

The following are standard dimensions unless otherwise stated.

All dimensions subject to commercial tolerance.

- Hole Size: 14mm diameter
- Hole Spacing (From End): 20mm from end of fitting
- Hole spacing (On Center): 48mm center to center
- Fitting Width: 40mm



Part No.	Finish	Size	Length	Weight	Box Qty
P1063/06	PG	M6	2.5	0.02	100
P1063/08	PG	M8	2.5	0.02	100
P1063/10	PG	M10	2.5	0.02	100
P1063/12	PG	M12	2.5	0.02	100
P1063/06	SS	M6	2.5	0.01	100
P1063/08	SS	M8	2.5	0.01	100
P1063/10	SS	M10	2.5	0.01	100
P1063/12	SS	M12	2.5	0.02	100

Project: _____

Approval Stamp:

Architect / Engineer: _____

Date: _____ **Phone:** _____

Contractor: _____

Address: _____

Notes 1: _____