

# Product datasheet

Specifications

## Modicon M171 Optimized Flush mounting 22 I/Os, Modbus



TM171OFM22R

### Main

Range of product	Modicon M171/M172
Product or component type	Controller
Product specific application	HVAC and pumping solution
Variant	Programmable
Total inputs/outputs	22
Discrete input number	6
Discrete output number	1 for open collector 3 for relay outputs SPST with same common 2 for relay outputs SPST with independent common
Discrete output current	2 A for relay
Analogue input number	2 configurable 3 analog input NTC
Analogue output number	3 voltage, range: 0...10 V 2 PWM/PPM, range: 20 kHz, 12 V, 35 mA

### Complementary

Number of port	1 LAN expansion bus 1 RS485 - screw terminal block (Modbus serial link)
Input/Output number	5 analog output(s) 6 digital input(s) 5 analog input(s) 6 digital output(s)
Discrete input logic	Sink or source (positive/negative)
Contacts usage	Volt-free contacts
Analogue input type	voltage 0...5 V (ratiometric) voltage 0...10 V NTC temperature probe - 50...100 °C - resolution: 0.1 °C current 0...20 mA/4...20 mA voltage 0...1 V
Sensor power supply	12 V DC at 85 mA 5 V DC at 20 mA
[Us] rated supply voltage	12...24 V 24 V
Width	140 mm
Height	110 mm
Depth	61.6 mm
Net weight	0.385 kg

Disclaimer: This documentation is not intended as a substitute for and is not to be used for determining suitability or reliability of these products for specific user applications

## Packing Units

Unit Type of Package 1	PCE
Number of Units in Package 1	1
Package 1 Weight	233 g
Package 1 Height	13 cm
Package 1 width	9 cm
Package 1 Length	12.5 cm
Unit Type of Package 2	S02
Number of Units in Package 2	8
Package 2 Weight	2.182 kg
Package 2 Height	15 cm
Package 2 width	30 cm
Package 2 Length	40 cm

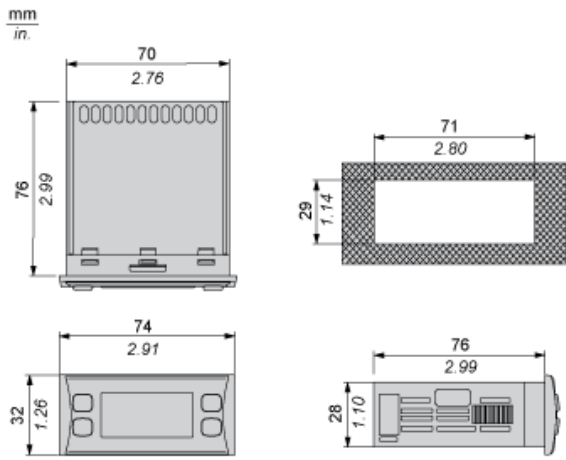
## Offer Sustainability

REACH Regulation	<a href="#">REACH Declaration</a>
REACH free of SVHC	Yes
EU RoHS Directive	Pro-active compliance (Product out of EU RoHS legal scope) <a href="#">EU RoHS Declaration</a>
Mercury free	Yes
RoHS exemption information	<a href="#">Yes</a>
China RoHS Regulation	<a href="#">China RoHS declaration</a>
WEEE	The product must be disposed on European Union markets following specific waste collection and never end up in rubbish bins

## Contractual warranty

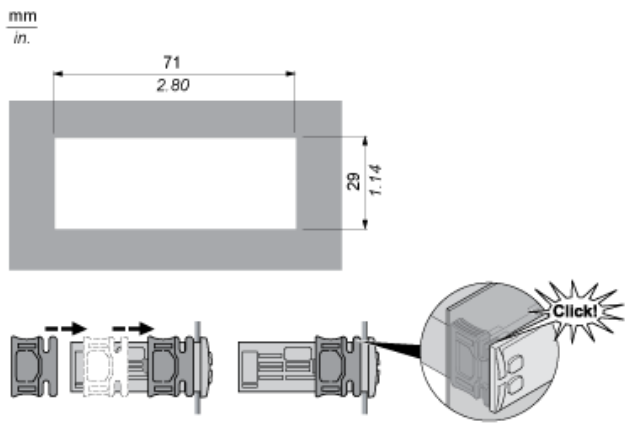
Warranty	18 months
----------	-----------

Dimensions



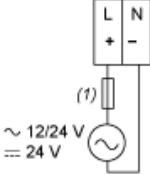
**Mounting on Panel with the Special Brackets Provided**

---



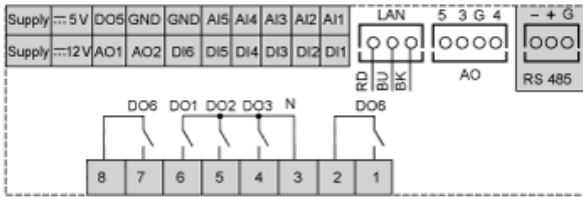
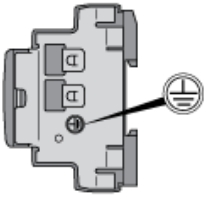
**Power Supply**

---



(1) Type T fuse (Controller: 1.25 A , Expansion: 1 A)

**Wiring Diagram**



- N** : Neutral
- GND** : Ground
- BK** : Black
- BU** : Blue
- RD** : Red
- AI** : Analogue input
- AO** : Analogue output
- DI** : Digital input
- DO** : Digital output