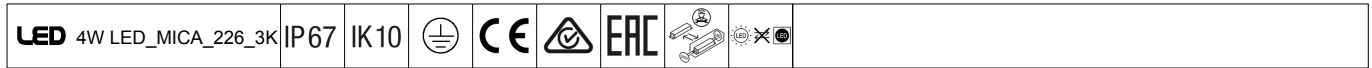


# Mica

# THORN

## 96271498 MICA SLIM S 3L35 ACC 10D 832 RS SF



### Mica

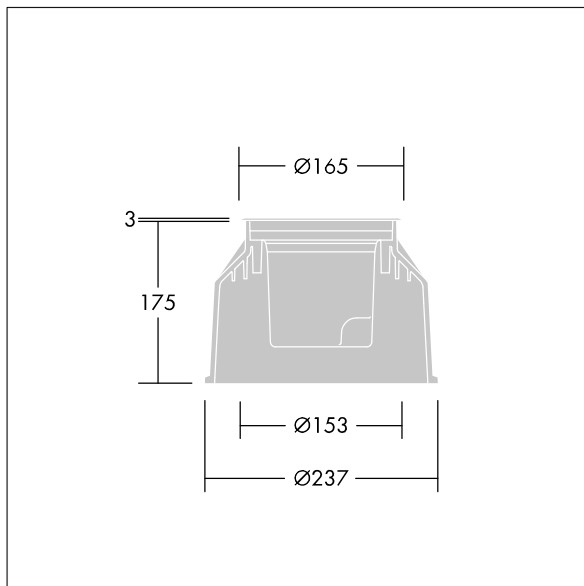
A small, shallow, round ground recessed luminaire. 3 LED (s) driven at 350mA by integral driver. 10° beam angle for driveover illumination applications. Tilting angle adjustment of ±15°. Body: die-cast aluminium with powdered paint finish. Frame: stainless steel, 3mm thick. Front glass: semi-frosted toughened glass, mm thick, surface temperature complies with EN60598-2-13. Pre-wired with 0.5m cable. Recessing box: polypropylene. Rated IP67, class I electrical. Maximum static load 5000kg. Complete with 3200K LED

Mica and Mica Slim can be installed in areas with a maximum low speed of 30km/h for the flat versions and 20km/h for the dome versions.

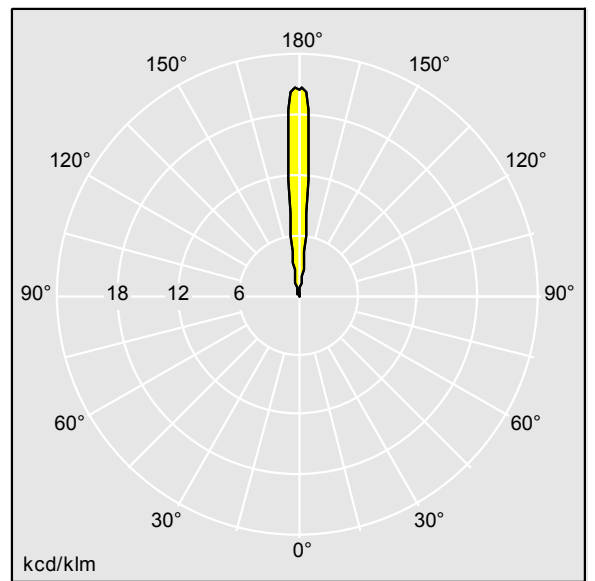
Dimensions: Ø165 x 178 mm  
Luminaire input power: 4.3 W  
Luminaire luminous flux: 226 lm  
Luminaire efficacy: 53 lm/W  
Weight: 2.6 kg



TLG\_MICA\_F\_SS3LEDRSSF.jpg



TLG\_MICA\_M\_2015LDLSLMSRS.wmf



TLLA\_96271498.ltd

Lamp position: STD - standard  
Light Source: LED  
Luminaire luminous flux\*: 226 lm  
Luminaire efficacy\*: 53 lm/W  
Lamp efficacy: 52 lm/W  
Colour Rendering Index min.: 80

Correlated colour temperature: 3200 Kelvin  
Rated median useful life\*:  
L70 50000h at 25°C  
Ballast: 1x EL2  
Luminaire input power\*: 4.3 W  
Dimming: FO  
LOR: 1,00 ULOR: 1,00 DLOR: 0,00

All values marked with an \* are rated values. Thorn uses tried and tested components from leading suppliers, however there may be isolated instances of technology-related failures of individual LEDs during the rated product lifetime. International standards set the tolerance in initial flux and connected load at ±10%. Unless stated otherwise, the values apply to an ambient temperature of 25°C.

In most products the failure of one LED point causes no functional impairment to the lighting performance of the luminaire and is therefore no reason for complaint. Unless otherwise stated all Thorn LED products are suitable for unrestricted use (rated RG1) with regard photobiological blue light safety (IEC/EN60598-1).

Thorn Lighting is constantly developing and improving its products. The right is reserved to change specifications without prior notification or public announcement.  
© Thorn Lighting