



## **KPRO06PWR/GU10**

PRO, LED GU10, 6W



### **Product Overview**

Suitable for the most demanding of professional users, Kosnic's KTC-PRO range offers lamps that deliver huge energy savings over halogen lamps without compromising on brightness. The lamps can quickly replace halogen products in accent and general lighting applications, and once in place rapid payback is achieved.

## Features

Save energy up to 85% compared with halogen lamps.

Direct replacement of GU10 halogen lamp.

High lumen output.

Long life of 35,000h.

Instant start.

Negligible UV output.

Mercury free.

## Safety and Maintenance

Switch off supply and allow cooling before handling lamp.

Use in totally enclosed fittings will reduce lamp life.

Do not dispose of lamp in household waste.

Dispose of in appropriate section of local civic amenity site or recycling centre.

## Specifications

	KPRO06PWR/GU10-S30	KPRO06PWR/GU10-S40	KPRO06PWR/GU10-S65
<b>Fitting</b>	GU10	GU10	GU10
<b>Shape / Type</b>	PAR16	PAR16	PAR16
<b>Colour Finish</b>	Silver	Silver	Silver
<b>Optics Type</b>	Prismatic Lens	Prismatic Lens	Prismatic Lens
<b>Wattage (w)</b>	6	6	6
<b>Equivalent Wattage (w)</b>	48	50	52
<b>Useful Lumens (lm)</b>	320	340	350
<b>Total Lumens (lm)</b>	400	420	430
<b>Input Current (mA)</b>	47	47	47
<b>Input Voltage</b>	220-240Vac	220-240Vac	220-240Vac
<b>CCT Temperature (k)</b>	3000	4000	6500
<b>CCT Name</b>	Warm White	Cool White	Day Light
<b>Rated Life (hrs)</b>	35000	35000	35000
<b>Nominal Lifetime (hrs)</b>	35000	35000	35000
<b>Switch Cycles</b>	50000	50000	50000
<b>Peak Candelas (cd)</b>	430	440	450
<b>Beam Angle (°)</b>	45	45	45
<b>CRI</b>	82	84	83
<b>Dimmable</b>	No	No	No
<b>Retrofit</b>	Yes	Yes	Yes
<b>Suitable for Accent Lighting</b>	Yes	Yes	Yes
<b>Power Factor</b>	0.55	0.55	0.55
<b>Start Time (s)</b>	0.3	0.3	0.3

<b>Warm-up Time (s)</b>	Instant full light	Instant full light	Instant full light
<b>Length (mm)</b>	54	54	54
<b>Width (mm)</b>	50	50	50
<b>Depth (mm)</b>	50	50	50
<b>Mercury (mg)</b>	0	0	0
<b>Clean-up instructions</b>	N/A	N/A	N/A
<b>Rated Power (W)</b>	6.0	6.0	6.0
<b>Rated Useful Luminous Flux (lm)</b>	320	340	350
<b>LMF at Lifetime</b>	0.75	0.75	0.75
<b>SDCM of CCT</b>	<6	<6	<6
<b>Ambient Temperature (°C)</b>	-20 to 40	-20 to 40	-20 to 40
<b>Barcode</b>	-	0609207991748	-

## Product Markings

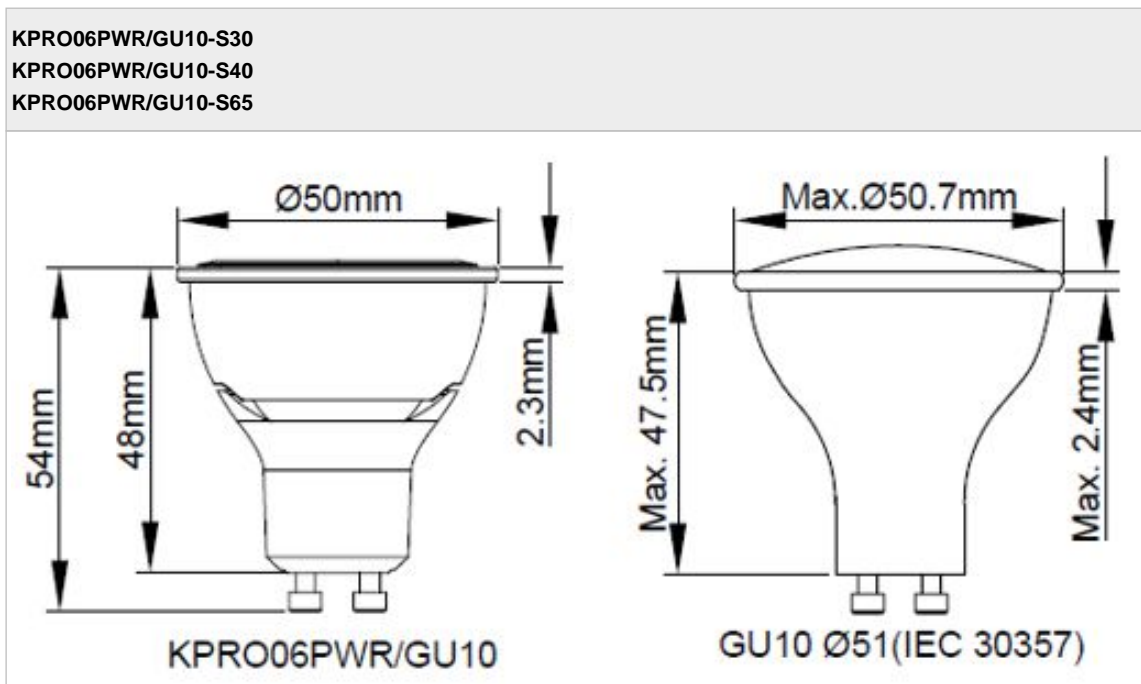
	KPRO06PWR/GU10-S30	KPRO06PWR/GU10-S40	KPRO06PWR/GU10-S65
<b>Manufacturer</b>	Kosnic	Kosnic	Kosnic
<b>Product Code</b>	KPRO06PWR/GU10-S30	KPRO06PWR/GU10-S40	KPRO06PWR/GU10-S65
<b>Volts (V)</b>	220-240Vac 50-60Hz	220-240Vac 50-60Hz	220-240Vac 50-60Hz
<b>Nominal Watts (W)</b>	6	6	6
<b>Current (mA)</b>	47	47	47
<b>Nominal Useful Luminous Flux (lm)</b>	320	340	350
<b>CCT (K)</b>	3000	4000	6500
<b>Beam Angle (°)</b>	45	45	45
<b>CE Mark</b>	Yes	Yes	Yes
<b>WEEE Mark</b>	Yes	Yes	Yes
<b>Batch Code</b>	Yes	Yes	Yes

## Energy Label

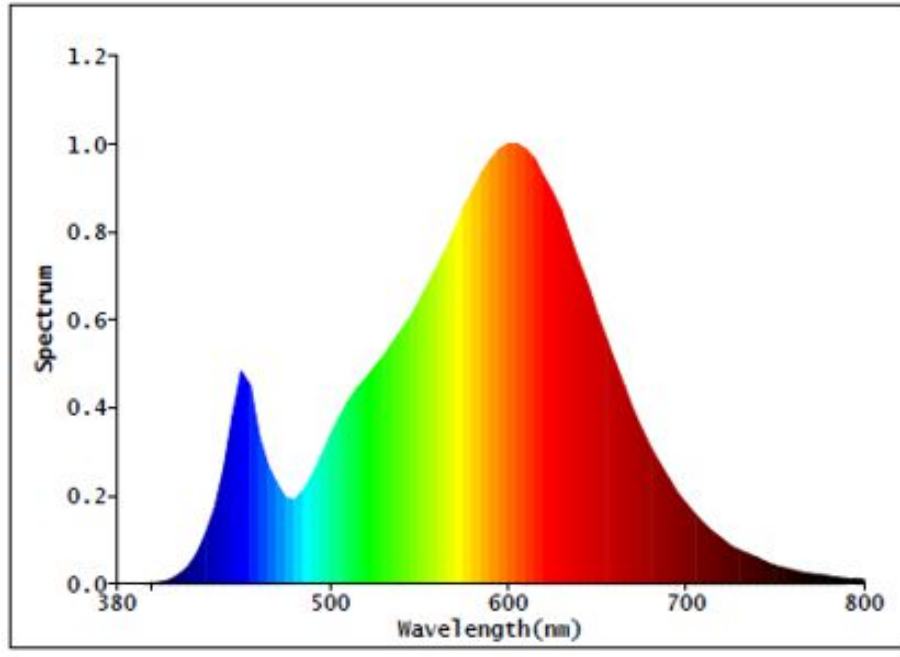
	KPRO06PWR/GU10-S30	KPRO06PWR/GU10-S40	KPRO06PWR/GU10-S65
<b>Manufacturer</b>	Kosnic	Kosnic	Kosnic
<b>Product Code</b>	KPRO06PWR/GU10-S30	KPRO06PWR/GU10-S40	KPRO06PWR/GU10-S65
<b>Energy Class</b>	A	A+	A+
<b>Energy Consumption (kWh/1000h)</b>	6	6	6

# Packaging

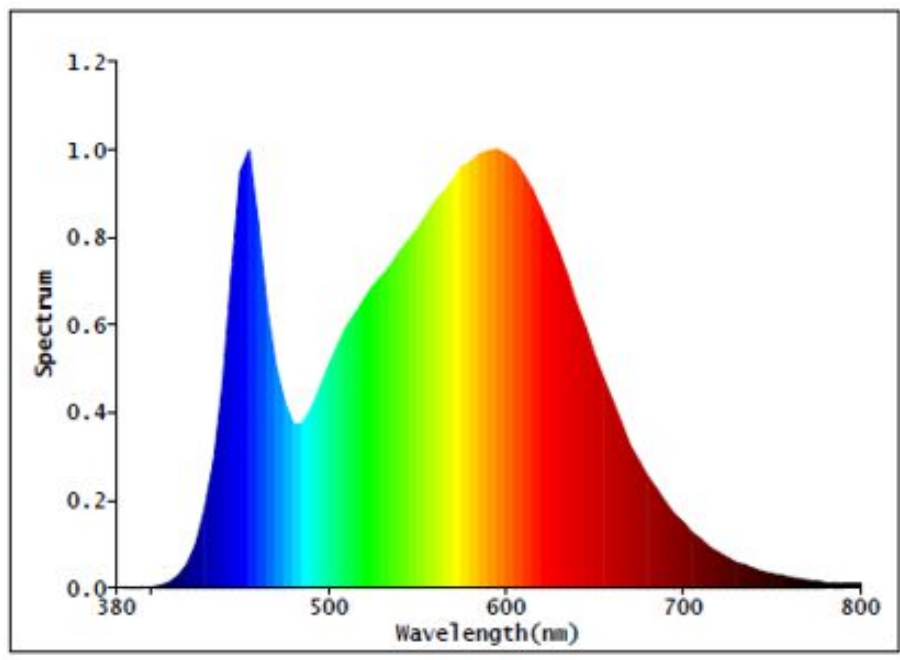
	KPRO06PWR/GU10-S30	KPRO06PWR/GU10-S40	KPRO06PWR/GU10-S65
Outer Box Length (mm)	575	575	575
Outer Box Width (mm)	285	285	285
Outer Box Height (mm)	157	157	157
Volume	0.025728375	0.025728375	0.025728375
Box Quantity	100	100	100
Outer Box Weight (kg)	7	6.8	6.8

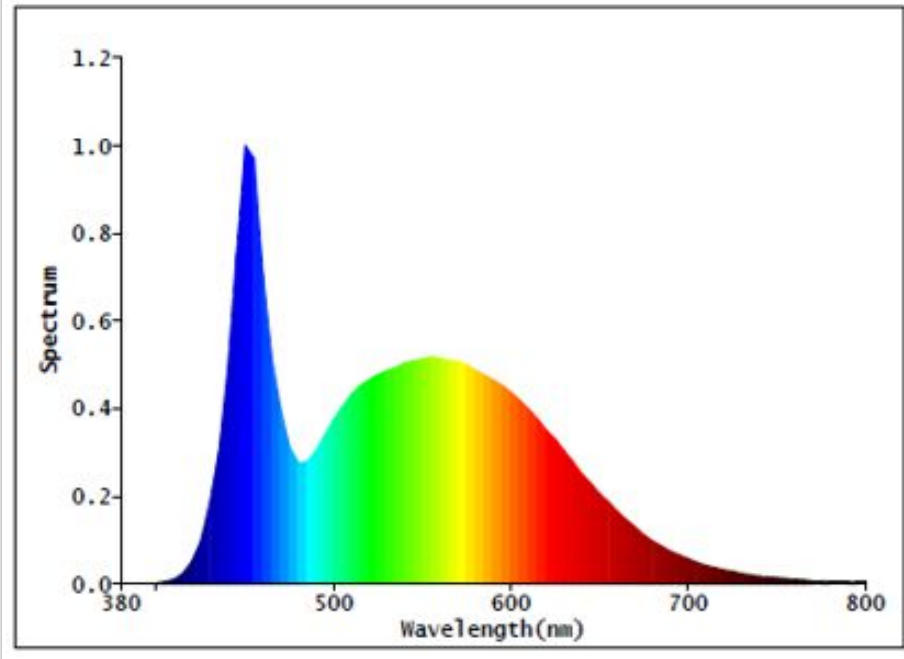


KPRO06PWR/GU10-S30



KPRO06PWR/GU10-S40





Datasheet generated from <https://onetimepim.com> last updated Monday, November 1, 2021 9:06:44 AM