

FILTERLESS FAN INFINITY

Filterless WC, Bathroom & Kitchen Fan



FILTERLESS FAN INFINITY

Filterless WC, Bathroom & Kitchen Fan



About

EnviroVent has been continually refining Filterless extract technology since it invented it 10 years ago, which has reduced social housing landlord's extractor fan maintenance costs by tens of millions of pounds. The newest addition to the range, The Filterless Infinity, improves lifecycle costs even further with an unparalleled, no quibble 7 year maintenance-free and renewable warranty as standard.

Features & Benefits

- ✦ Unique patented cartridge system
- ✦ Filterless technology
- ✦ Ultra Low Watt motor technology
- ✦ Patented helical power expansion chamber
- ✦ Automatic vapour tracking function
- ✦ SELV models available
- ✦ On-going 7 year warranty
- ✦ Designed for the life of the building
- ✦ Versatile and flexible
- ✦ Ideal for all applications
- ✦ Environmentally friendly
- ✦ Low maintenance
- ✦ Low life-cycle costings
- ✦ Easy to clean
- ✦ Whisper quiet running
- ✦ Usage meter



The Filterless Infinity Fan is designed and manufactured in the UK specifically for the rigours of Social Housing where there is a need to remove moisture and improve indoor air quality for all in the dwelling over the long term with minimal maintenance.

Some of the Benefits

✓ Precision Engineered, Allowing us to Offer a 7 Year Guarantee

We are absolutely confident that we can offer a 7 year no quibble maintenance-free warranty because we have been running an accelerated life test programme for nearly 10 years on the Infinity's predecessor - the original EnviroVent Filterless Fan.

Our R&D teams are continually testing and improving this technology to make it perform even better for longer. Following extensive testing and research we have further engineered the airflow of the Filterless Infinity with exact precision to achieve the optimal efficiency out of the highest quality bearings. The stylish new front grille allows the air to pass through with the least possible resistance to achieve the quietest performance.

✓ Intellitrac® Controls

Running continuously on trickle, the Filterless Infinity ensures that condensation and high humidity levels are kept at bay.

No user intervention is required as the Intellitrac® Technology constantly monitor the average humidity. As this rises and falls, the motor speed rises and falls in direct correlation. This controls condensation both quietly and efficiently, eliminating the problem of noisy extract fans and reducing the periods of time when the fan operates on maximum speed, saving energy.



✓ One Fan for all Situations

Ideal for bathrooms, kitchens, WCs and from simple through the wall installations, to ceiling, window and inline installations, the Filterless Infinity fits all with the use of easy to install accessory kits.



Wall



Ceiling



Window



In-Line

✓ Usage Meter as Standard

This is built into the central cartridge as standard to enable landlords to monitor operational life.



Installation Friendly

The Filterless Infinity has also been designed for the easiest installation ever:

IP66 rated cable entry sockets accessible through all points of the compass	
An IPX4 sealed chamber housing all electronics	
No complicated selection switches for commissioning	
The SELV version is supplied with a power supply unit incorporating a fixed fuse spur	

✓ Easy Cleaning in 4 Steps

The fan has been designed for ease of cleaning and servicing in mind. That is why it can be carried out safely and quickly by the resident.

There is a small magnet which deactivates the fan as soon as the front grille is removed. The impeller can then be cleaned in a sink or dishwasher and the fan scroll can be wiped clean with a cloth quickly and easily.

Once the impeller is inserted again and the front grille replaced, the fan will continue to run as normal. No more unsightly fans with clogged filters.

1 Remove the front cover



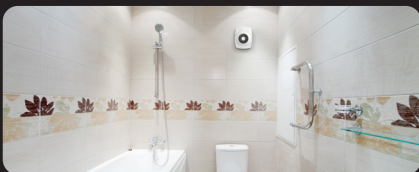
2 Clip out impeller & wipe clean



3 Wash the impeller under a tap



4 Replace impeller & front cover



Annual Running Costs

All costs are based on an electricity cost of £0.15 per unit (kWh). These calculations must be used as a guide only.

Settings

STANDARD	KITCHEN TRICKLE	KITCHEN BOOST	BATHROOM TRICKLE	BATHROOM BOOST
WATTS	2	24	1	7
Hours run per day	22	2	22	2
Energy cost p/a (£)	£2.41	£2.6	£1.20	£0.77
Total cost p/a (£)	£5.04		£1.97	

Options & Ancillaries

DESCRIPTION	CODE(S)
REMOTE PULLCORD	EFHTCM-RC*
REMOTE WALL SWITCH	EFHTCM-WS*
WALL MOUNTED KIT	1RD EFWAK
CEILING MOUNTED KIT	1AC EFCMBR
WINDOW FIXING KIT (230V)	EFWIK 230V
WINDOW FIXING KIT (SELV)	EFWIK 12V
IN-LINE FIXING KIT	KITINLINEFAN

Technical Specification

Product

Innovative centrifugal extract fan unit which has been designed to deliver the lowest possible maintenance, the lowest long term life-cycle costs and the lowest energy costs.

Application Suitability

Can be wall, ceiling, window or duct mounted to comply with current Building Regulations. The one fan will ventilate any domestic Kitchen, utility room or bathroom and is supplied in a 230V or SELV format.

Motor

Incorporates the Ultra Low Watt EC motor technology with sealed for life ball bearings designed to operate continuously at a pre-set 'background' rate.

Performance & Sound Levels

SETTING	Duty (l/s)	Power (W)	Sound dB(A) @ 3m
BATHROOM TRICKLE	9	1	30.8
KITCHEN TRICKLE	11	2	30.8
BATHROOM BOOST	34	7	36.0
KITCHEN BOOST	53	24	46.2

Fan

The fan is of filterless technology for ease of maintenance/cleaning. Forward curved centrifugal fan to provide increased airflow. The fan will allow a smooth uninterrupted flow of contaminated air through the fan scroll to atmosphere, without the need for filtration.

Servicing / Maintenance

Achieved by removal/exchange/replacement of central cartridge. Rear carcass remains in position ensuring minimal disruption to occupier and no electrical competence or redecoration required. The fan can be cleaned by removing the quick release impeller.

Warranty

Covered by an on-going, repeatable 7 year warranty, subject to the completion of specified maintenance.

Controls

Continuous running 2-speed* filterless fan with integral variable speed and Intellitrac® humidity tracking system. The fan should have either a pullcord override or optional wireless boost for odour control.

Wiring

The fan is pre-wired with 1 metre of flexible cable to speed up installation. The SELV version is provided with a short length of low voltage cable. On the RC version the fan is pre-wired with 3 metres of volt free remote pullcord cable.

Accreditations

Conforms to the requirements of the UK Building Regulations and the Technical Standards for Ventilation. Conforms to requirements of the EC council directives Relating to Electromagnetic Compatibility and Electrical Safety (LDV and EMC). CE Marked.

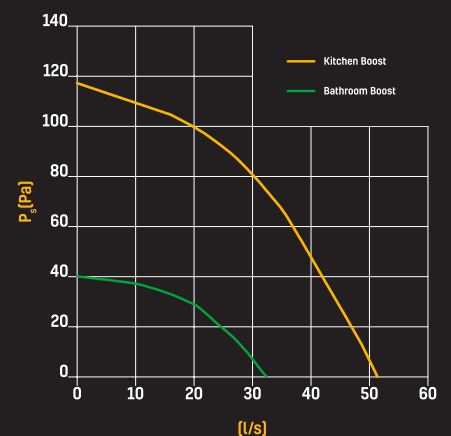
*Low voltage version for the SELV

Your Requirements

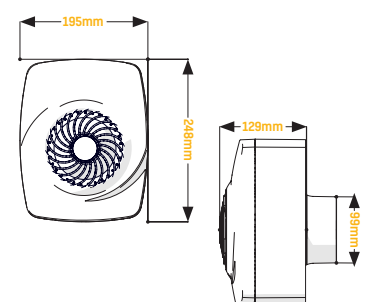
The Filterless Infinity fan is available in 230V or SELV format and can be wall, window, ceiling, in-line or panel mounted with the use of the below kits. Please contact us to obtain your unique customer order code.



Performance Curves



Dimensions (mm)



*Used with Remote Cord version

envirovent®

Leaders in the manufacture of innovation and sustainable ventilation

EnviroVent Ltd
EnviroVent House
Hornbeam Business Park
Harrogate
HG2 8PA

T / 0345 27 27 807
F / 01423 301 022
E / enquiries@envirovent.com
W / www.envirovent.com

Due to our policy of continuous innovation and improvement, EnviroVent reserves the right to alter products specification and appearance without notice.

E&OE | MKT ENV403 - V1 - 21.01.20

Copyright © EnviroVent Ltd 2020



Follow us on
facebook



Follow us on
twitter



Watch us on
Youtube



Follow us on
Instagram



Follow us on
Pinterest



Find us on
LinkedIn

