

Midi Horns and Sirens / Signal Horn 570

Signal horn WM Contin. tone 42-48VAC GY

Part No.: 570.052.66

**MECHANICAL DATA**

| | |
|------------------------------|-----------------------------|
| Length | 152 mm |
| Height | 360 mm |
| Diameter | 148 mm |
| Materials | PC/ABS |
| Housing colour | Grey |
| Protection category | IP55 |
| Connection | Screw terminals |
| cross-sectional area maximum | 2,50mm ² / 14AWG |
| Cable entry | Through hole |
| Cable entry maximum | d = 10 mm |
| Type of fixing | Wall mounting |
| Working temperature minimum | -20°C |
| Working temperature maximum | +60°C |
| Weight with packaging | 1073 g |
| Product weight | 953 g |

ELECTRICAL DATA

| | |
|-----------------------------|--------------------|
| Operating voltage | 42-48V |
| Operating voltage type | AC |
| Operating voltage frequency | 50Hz |
| Operating voltage tolerance | +/- 10% |
| Rated operational voltage | 42 VAC |
| Rated operational current | 240 mA |
| Rated inrush current | <10A |
| Protection class | Protection class 2 |
| Pollution degree | 3 |

ACOUSTIC DATA

| | |
|-----------------------------|-----------------|
| Volume (max) at 1m distance | 108,0 dB (A) |
| Acoustic signal image | Continuous tone |
| Acoustic service life | 250 h minimum |

APPROVAL DATA

| | |
|------------------------------|-----|
| Conforms with CE | Yes |
| Conforms with RoHS directive | Yes |
| WEEE | Yes |
| Conforms with ATEX-directive | No |
| Conforms with CCC | No |
| Conforms with UL | No |



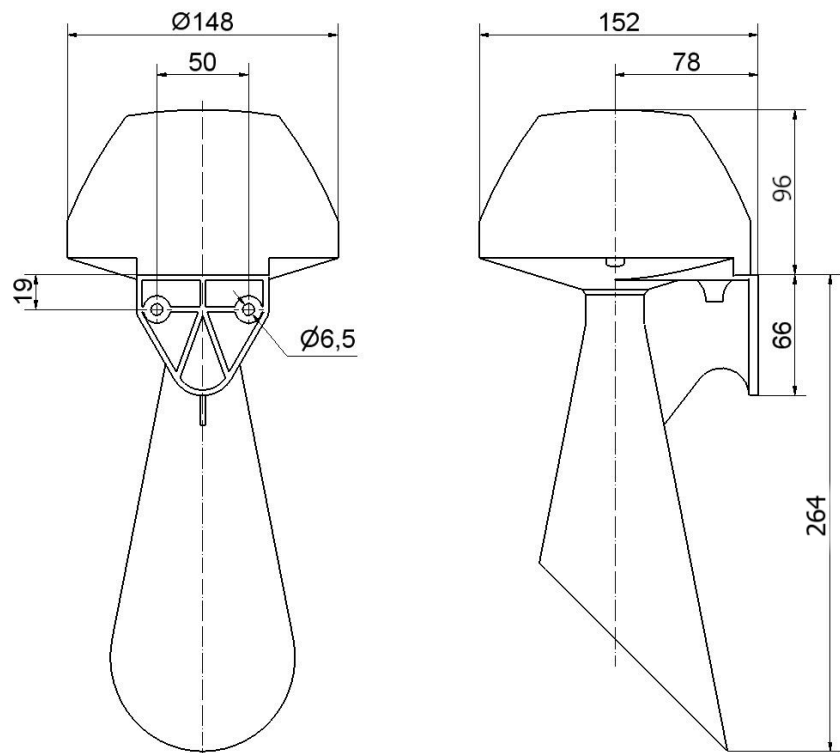
For additional installation and mounting information, refer to the appropriate user guide at www.werma.com. This printed copy is for information only and is subject to alteration.

Midi Horns and Sirens / Signal Horn 570

Signal horn WM Contin. tone 42-48VAC GY

| | |
|-------------------------------|-----------------------|
| Conforms with FCC | No |
| Conforms with IC | No |
| EAC certificate available | Yes |
| Conforms with UKCA (Importer) | Yes (WERMA (UK) Ltd.) |
| Conforms with AS-I | No |
| ICAO Certification | No |
| Conforms with DNV | No |
| Conforms with RoHS CN | No |
| Conforms with VdS | No |

DRAWING



! For additional installation and mounting information, refer to the appropriate user guide at www.werma.com. This printed copy is for information only and is subject to alteration.