

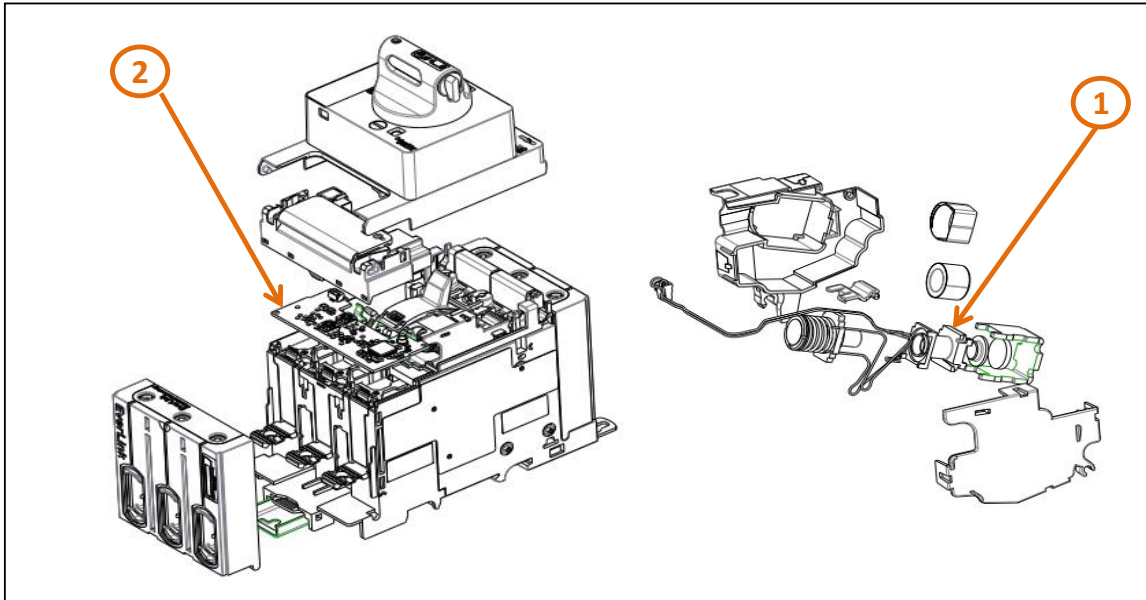
Product End of Life Instructions

TeSys Deca TeSys GV4 Motor circuit breaker

TeSys Deca



End of Life Instructions



Recommendation	Number on drawing	Component / Material	Weight (in g)	Comment
To be depolluted	1	Other plastic parts with brominated flame retardants	0.89	BOBBIN MINITOP
To be depolluted	2	Electronic Board (Communication) > 10cm ²	10	PCB TRIP UNIT ME4 BASIC

Product description

Manufacturer identification	Schneider Electric Industries SAS
Brand name	Schneider Electric
Product function	The Motor Breaker GV4P 3 poles circuit breaker equipped with a thermal magnetic trip unit is designed to provide protection against overloads and short-circuits for electrical motors with assigned voltage up to 690VAC and rated current of 115A.
Product reference	GV4P115N
Additional similar product references	Tesys GV4L, Tesys GV4LE, Tesys GV4P, Tesys GV4PE, Tesys GV4PEM with: Breaking capacity type B, N or S Terminal EL2 connector or Crimp lug
Total representative product mass	1600 g
Representative product dimensions	155mm x 81mm x 165mm
Accessories	No
Date of information release	08/2023

Additional information

Legal information	This product family is in the scope of European Union directive 2012/19/EU on Waste Electrical and Electronic Equipment (WEEE). The product family must be disposed according to the legislation of the country. This document is intended for use by end of life recyclers or treatment facilities. It provides the basic information to assure an appropriate end of life treatment for the components and materials of the product.	
In case of special transportation: transportation method	No	
Recyclability potential	50%	Recyclability rate has been calculated based on REEECY'LAB tool developed by Ecosystem, for components/materials not covered by the tool, data from the "ECO' DEEE recyclability and recoverability calculation method" was taken. If no data was found a conservative assumption was used (0% recyclability).

Schneider Electric Industries SAS

Country Customer Care Center
<http://www.schneider-electric.com/contact>

35, rue Joseph Monier
 CS 30323
 F- 92500 Rueil Malmaison Cedex
 RCS Nanterre 954 503 439
 Capital social 896 313 776 €

www.se.com

ENVEOLI1704004_V2

Published by Schneider Electric

© 2023 - Schneider Electric – All rights reserved

2023/08/19