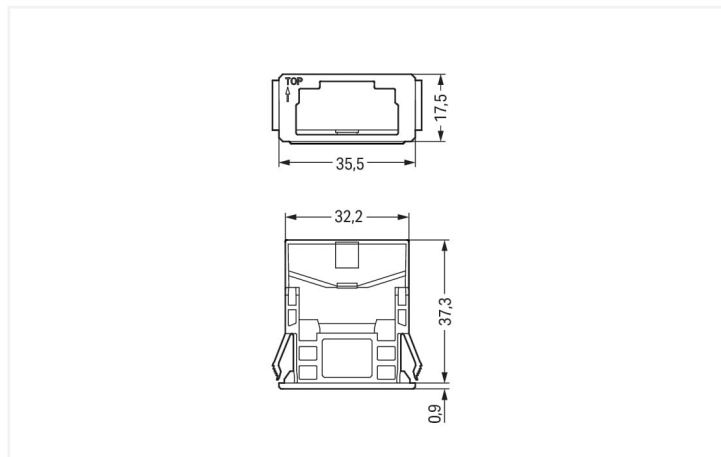


**Data Sheet | Item Number: 770-318**  
Snap-in frame; 3-pole; 1.0 ... 3.0 mm; black

<https://www.wago.com/770-318>



Color: ■ black



Dimensions in mm

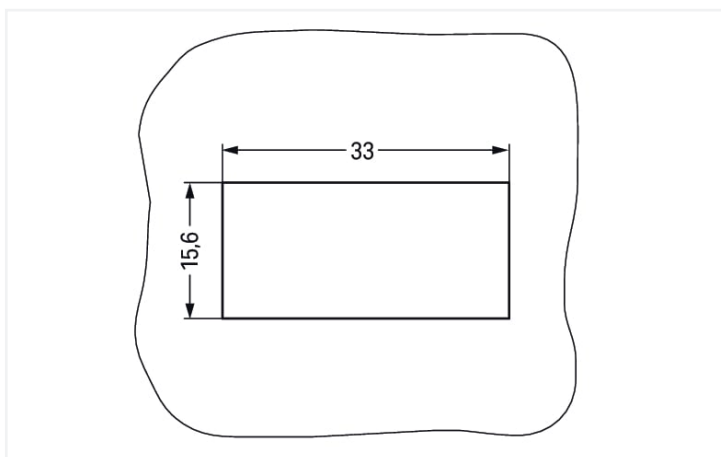


Plate thickness: 1 ... 3 mm  
Cutout tolerance: + 0.1 mm

Please see note below!

**Mounting accessories WINSTA® MIDI 3-pole**

Choose proven sustainability for the electrical installation at your construction site: The mounting accessories from the WINSTA® MIDI product line. With WAGO, you benefit from a large selection of expansions for the WINSTA® product line. WINSTA® MIDI with Push-in CAGE CLAMP® spring pressure connection technology is used in a broad range of individual products you can use for quick, easy, secure, tailored electrical installation.

Lower costs through fast commissioning and elimination of service expenses – solutions from WINSTA® MIDI

The WINSTA® Pluggable Connection System allows pluggable electrical installation. This significantly reduces the need for servicing and lowers costs. Take advantage of the pluggable version of our maintenance-free spring pressure connection technology too! Plan your installation with with protection against mismatching from WAGO.

- for automation controllers
- fast, secure installation

## Notes

Note	The snap-in connectors must be relieved of tensile and transverse forces. A surface finish can influence the edge radius of the cutouts. This may affect the snap-in socket fit, so ensure an adequate fit before use. In addition, the punched edge should be on the inside for punched cutouts. The wings of the snap-in connectors must not be mechanically stressed for a long period before use (e.g., due to a pre-locking position).
------	---

## Connection data

### Connection 1

Pole number	3
-------------	---

## Physical data

Width	35.5 mm / 1.398 inches
Height	17.5 mm / 0.689 inches
Depth	38.75 mm / 1.526 inches

## Mechanical data

Housing sheet thickness	1 ... 3 mm / 0.039 ... 0.118 inches
Mounting type	Snap-in flange
Suitable	for socket and plug

## Material data

Note (material data)	<a href="https://www.wago.com/us/material-specifications">Information on material specifications can be found here</a>
Color	black
Insulation material	Polyamide (PA66)
Flammability class per UL94	V0
Fire load	0.114 MJ
Weight	3.3 g

## Environmental requirements

Processing temperature	-5 ... +40 °C
Continuous operating temperature	-35 ... +85 °C
Note on continuous operating temperature	Insulating parts for temperatures ≤ 105 °C

## Commercial data

Product Group	20 (Winsta)
eCl@ss 10.0	27-44-06-92
eCl@ss 9.0	27-44-06-92
ETIM 8.0	EC002863
ETIM 7.0	EC002863
PU (SPU)	100 pcs
Packaging type	Bag
Country of origin	DE
GTIN	4066966073744
Customs tariff number	39269097900

**Environmental Product Compliance**

RoHS Compliance Status Compliant, No Exemption

**Approvals / Certificates**

Approvals for marine applications



Approval	Standard	Certificate Name
LR Lloyds Register	IEC 61984	LR22429487TA

**Downloads**

Environmental Product Compliance

Compliance Search
Environmental Product Compliance 770-318 <a href="#">↓</a>

**Documentation**

Bid Text			
770-318	19.02.2019	xml 2.57 KB	<a href="#">↓</a>
770-318	04.12.2014	doc 23.00 KB	<a href="#">↓</a>

**CAD/CAE-Data**

CAD data
2D/3D Models 770-318 <a href="#">↓</a>

CAE data
WSCAD Universe 770-318 <a href="#">↓</a>
ZUKEN Portal 770-318 <a href="#">↓</a>

## 1 Compatible Products

### 1.1 Optional Accessories

#### 1.1.1 Locking system

##### 1.1.1.1 Locking system

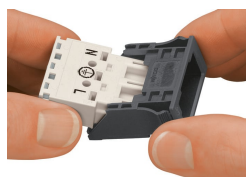


**Item No.: 770-140**

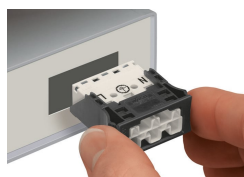
Locking lever; for sockets and plugs; for tool operation; gray

## Installation Notes

### Installation



Insert the socket or plug into the frame (observe the "TOP" marking on the frame!), then snap the assembled unit into the cutout.



Snap the assembled unit into the cutout.