

# RFID Ositrack

## Splitter Box, Ethernet Modbus TCP/IP

## Boîte de raccordement

## User Guide / Manuel utilisateur

### Original instructions

01 / 2022



**Telemecanique**

**Sensors**



# Table of Contents

---

Chapter	Page
<b>Safety Information</b>	<b>5</b>
<b>About the Book</b>	<b>7</b>
<b>1 Hardware setup</b>	<b>9</b>
1.1 Description	9
1.2 Presentation	10
1.2.1 General	10
1.2.2 Wiring	11
1.2.3 LED indicators	12
1.3 Dimensions	13
1.4 Characteristics	14
1.5 Connections	15
1.5.1 Connecting the power supply	15
1.5.2 Connecting Ositrack compact stations	15
1.5.3 Ethernet connection	16
1.6 Ethernet Modbus TCP/IP network examples	17
<b>2 Software setup</b>	<b>19</b>
2.1 General	19
2.1.1 Protocols supported	19
2.1.2 Addresses and port number	20
2.2 Assigning an IP address by ARP and Telnet	21
2.2.1 Configuring the IP address	22
2.2.2 Assigning a temporary IP address	25

## Table of Contents

---

Chapter	Page
<b>3 Modbus and Ethernet Modbus TCP/IP protocols</b>	<b>27</b>
3.1 General	27
3.1.1 Modbus protocol	27
3.1.2 Ethernet Modbus TCP/IP protocol	29
3.2 Examples of applications	31
3.2.1 Assembly	31
3.2.2 Hardware configuration of the PLC with PL7 PRO (V4.3 or higher)	32
3.2.3 Example of programming a request for station @ 2	33
3.2.4 PLC configuration with Unity PRO XL V1.0.1	33
3.2.5 Reading 5 words in the tag from word %MW 0 of the tag in station @ 2	34
<b>4 Diagnostics</b>	<b>35</b>
4.1 Diagnostic LED states	35
4.2 Diagnostics during Ethernet addressing	37
<b>5 Glossary</b>	<b>39</b>

## Safety Information

---

### Important Information

#### NOTICE

Read these instructions carefully, and look at the equipment to become familiar with the device before trying to install, operate, or maintain it. The following special messages may appear throughout this documentation or on the equipment to warn of potential hazards or to call attention to information that clarifies or simplifies a procedure.



The addition of this symbol to a Danger or Warning safety label indicates that an electrical hazard exists, which will result in personal injury if the instructions are not followed.



This is the safety alert symbol. It is used to alert you to potential personal injury hazards. Obey all safety messages that follow this symbol to avoid possible injury or death.

### **DANGER**

DANGER indicates an imminently hazardous situation, which, if not avoided, **will result** in death or serious injury.

### **WARNING**

WARNING indicates a potentially hazardous situation, which, if not avoided, **can result** in death, serious injury, or equipment damage.

### **CAUTION**

CAUTION indicates a potentially hazardous situation, which, if not avoided, **can result** in injury or equipment damage.

## Safety Information

---

---

### PLEASE NOTE

Electrical equipment should be installed, operated, serviced, and maintained only by qualified personnel. No responsibility is assumed by Schneider Electric for any consequences arising out of the use of this material.

© 2008 Schneider Electric. All Rights Reserved.

## About the Book

---

### At a Glance

#### Document Scope

This manual describes how to use Ositrack compact stations and associated accessories.

### Related Documents

<b>Title of Documentation</b>	<b>Reference Number</b>
User Guide: Compact Stations	1655669 01
User Guide: Hand-held terminal	1690004 01

### User Comments

We welcome your comments about this document. You can reach us through the customer support page on your local TeSensors website.

### Cybersecurity

Machines, controllers, and related equipment are usually integrated into networks. Unauthorized persons and malware may gain access to the machine as well as to other devices on the network/fieldbus of the machine and connected networks via insufficiently secure access to software and networks.

## About the Book

---

---

### **WARNING**

#### **UNAUTHORIZED ACCESS TO THE MACHINE VIA SOFTWARE AND NETWORKS**

- In your hazard and risk analysis, consider all hazards that result from access to and operation on the network/fieldbus and develop an appropriate cybersecurity concept.
- Verify that the hardware infrastructure and the software infrastructure into which the machine is integrated as well as all organizational measures and rules covering access to this infrastructure consider the results of the hazard and risk analysis and are implemented according to best practices and standards covering IT security and cybersecurity (such as ISO/IEC 27000 series, ISO/IEC 15408, IEC 62351, ISA/IEC 62443, Common Criteria for Information Technology Security Evaluation, NIST Cybersecurity Framework, Information Security Forum - Standard of Good Practice for Information Security).
- Verify the effectiveness of your IT security and cyber security systems using appropriate, proven methods.

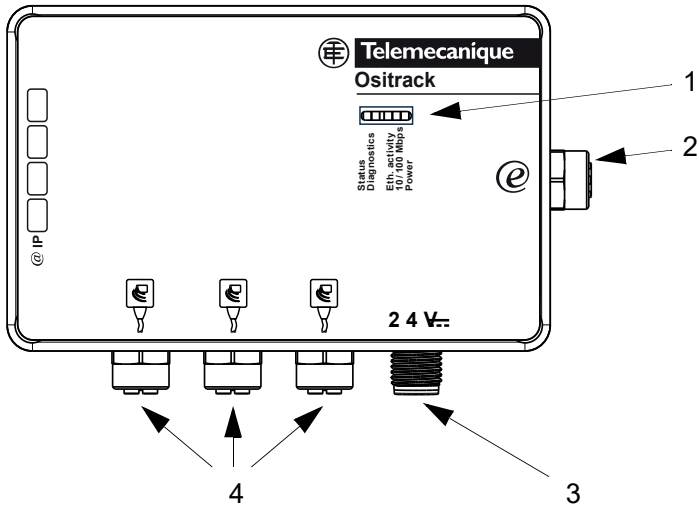
**Failure to follow these instructions can result in death, serious injury, or equipment damage.**

Consult the Schneider Electric Cybersecurity Best Practices (<https://www.se.com/ww/en/download/document/CS-Best-Practices-2019-340/>) for additional information.



## Hardware setup

### Description



Dimensions: 237 mm (9.33 in) x 120 mm (4.72 in) x 60 mm (2.36 in)

Item no.	Description
1	Signaling LEDs for the Ethernet network and the power supply
2	Ethernet sub-base
3	24 V power supply sub-base
4	3 Ositrack compact station sub-bases

## Hardware setup

---

### Presentation

---

#### General

This box is used to connect up to three XGCS compact stations on an Ethernet network.

Data is exchanged with the Ositrack stations using the Modbus TCP/IP protocol.

As a server on the network, the splitter box can receive and respond to data messages.

This data exchange enables your network to access certain Ositrack station functions, such as:

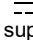
- Reading/writing tags
- Control and command
- Monitoring
- Diagnostics

It is recommended that you also refer to the RFID Compact Station Catalog DIA4ED2140601EN.

## Hardware setup

### Wiring

Use the following components for wiring (see the Schneider Electric catalogs):

Item no.	Type of cable/ connectors	Type of equipment to be connected	Cable length (m)	Reference
2	IP67 straight- through cable 4-way M12 A/RJ45	Switch	1	TCS ECL1M3M1S2
			3	TCS ECL1M3M3S2
		Hub	5	TCS ECL1M3M5S2
			10	TCS ECL1M3M10S2
			40	TCS ECL1M3M40S2
3	Extension 4-way M12 A/flying leads	24 V  power supply	2	XGS Z09L2*
			5	XGS Z09L5*
			10	XGS Z09L10*
4	Extension 5-way M12 male A/ M12 female	XGCS●●●●●●●● Ositrack compact stations	1	TCS MCN1M1F1
			2	TCS MCN1M1F2
			5	TCS MCN1M1F5
			10	TCS MCN1M1F10

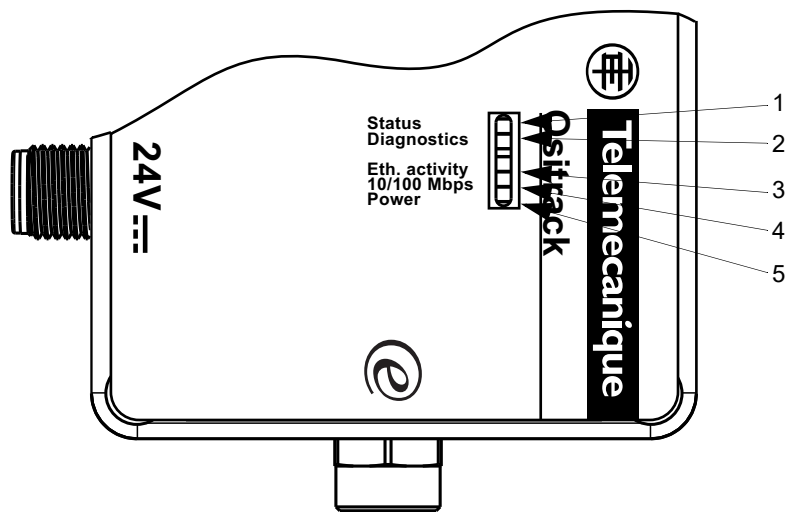
NOTE If a sub-base is not used, fit protective cover FTXCN12B on the sub-base.

Refer to the Connexium IP67 catalog for the IP67 Ethernet cables and accessories.

\* XGS Z09L● cables replace XGS Z08L● cables from January 2008.

## Hardware setup

### LED indicators



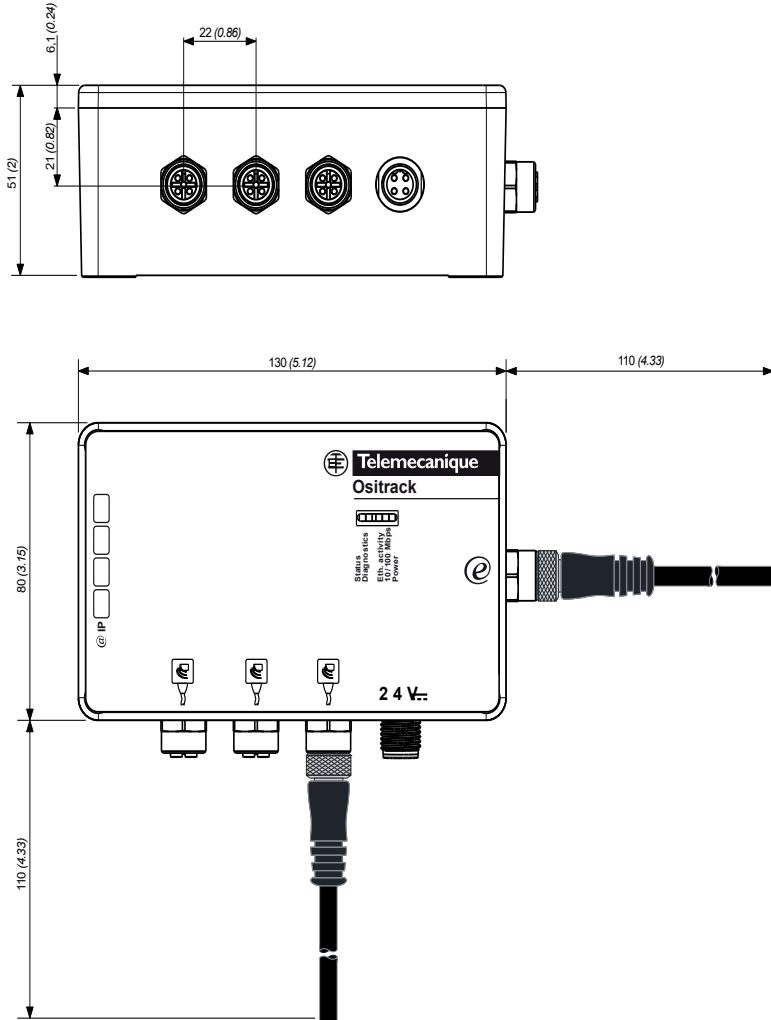
LED	Color	Description
1	Green	Status
2	Red	Diagnostics
3	Yellow/Green	Eth. activity
4	Yellow/Green	Eth 10/100 Mb
5	Green	Power supply

The splitter box has 5 signaling LEDs whose operation is detailed in Section 4 - Diagnostics.

## Hardware setup

### Dimensions

Dimensions in mm (*inches*)



M12 connector maximum tightening torque = 10 Nm (88.5 lbf.in)

## Hardware setup

---

### Characteristics

---

<b>Transparent Ready services</b>	Class	A10
	Standard Web server	Splitter box IP address configuration
	Standard Ethernet TCP/IP communication service	Modbus messaging (read/write I/O words) Requests: Modbus TCP/IP 123 words max.
<b>Ethernet connection</b>	Physical interface	10BASE-T/100BASE-TX
	Data rate	10/100 Mbps
	Medium	IP67 Ethernet cable with M12 connector coding D ref: TCS ECL1M3M●●S2
<b>Other characteristics</b>	Operating temperature	-25...+70°C (-13... +158°F)
	Storage temperature	-40...+85°C (-40... +185°F)
	Relative humidity	30...95% non condensing
	Degree of protection	IP65
	Power supply	— 24 V (limits 21...29 V) PELV
	Power consumption	< 1.0 W
	Stations	5-way female M12 connector
	Conformity to standards	UL 508, CE Electromagnetic interference, IEC61000 level 3 and EN55022

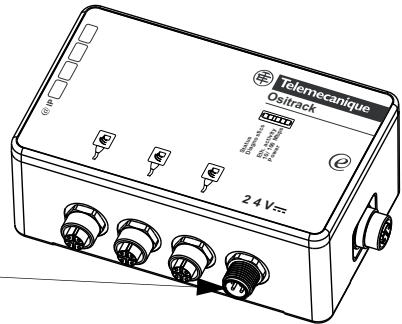
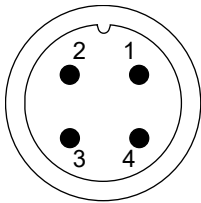
## Hardware setup

### Connections

#### Connecting the power supply

##### M12 male sub-base:

- 1 - Power supply + (24 V  $\overline{\text{---}}$ )
- 2 - Power supply + (24 V  $\overline{\text{---}}$ )
- 3 - Power supply - (0 V  $\overline{\text{---}}$ )
- 4 - Power supply - (0 V  $\overline{\text{---}}$ )



For connection to this sub-base:

- Connector: XZC C12FDM40B with terminals
- or
- Cable: XGS Z09L ●

## Hardware setup

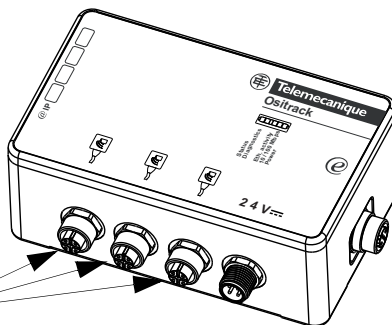
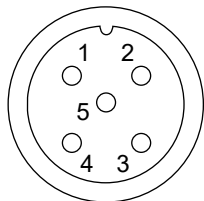
---

### Connecting Ositrack compact stations

---

#### M12 female sub-base:

- 1 - Ground
- 2 - 24 V  $\text{---}$
- 3 - 0 V  $\text{---}$
- 4 - D0
- 5 - D1



For connection to this sub-base:  
Connector: FTX DP12M5

For further information on cables, see section .

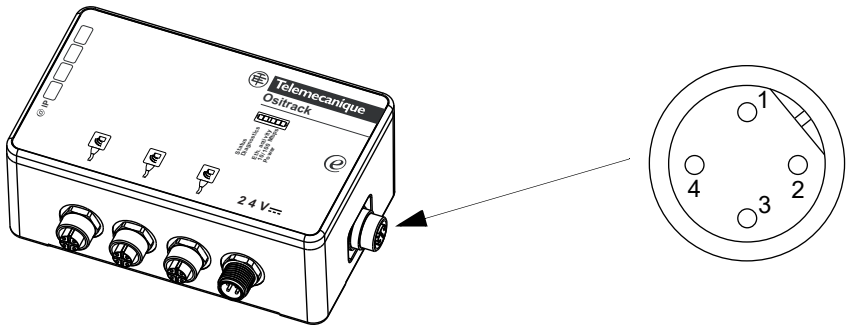


## Hardware setup

### Ethernet connection

Connection to the Ethernet network is via a cable equipped with an M12 connector (for connection to the splitter box) and an RJ45 connector (for connection to a switch or a hub). For further information on cables, see section .

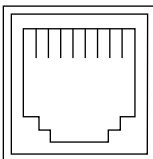
#### M12 female coding D sub-base:



M12 contact	Signal	Signal	RJ45 contact
1	TD +	TD +	1
3	TD -	TD -	2
2	RD +	RD +	3
-	Not connected	Not connected	4
-	Not connected	Not connected	5
4	RD -	RD -	6
-	Not connected	Not connected	7
-	Not connected	Not connected	8

#### RJ45 connector:

1 2 3 4 5 6 7 8

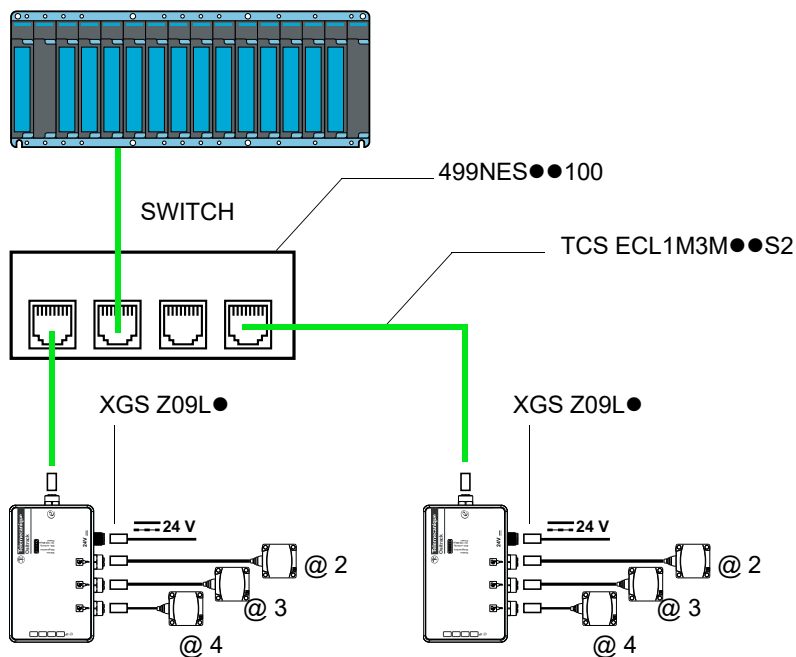


## Hardware setup

### Ethernet Modbus TCP/IP network examples

Before connecting the splitter box to the network, it is essential to configure its IP address (see section ).

Once configured, it is possible to connect several splitter boxes to the same Ethernet network. Simply ensure that each splitter box is configured with a different IP address.



For further information on station configuration and wiring, see the Ositrack Compact Station Guide DIA4ED3051001.  
The splitter box contains a line terminator.

The splitter box support up to 8 simultaneous connections (buffer management).

## Software setup

---

---

### General

---

#### Protocols supported

Exchanges with Ositrack compact stations are via the TCP/IP messaging service.

The Ethernet splitter box uses the following Internet protocols: IP (for communication on the network) and TCP (to avoid any loss or duplication of data, and to check that all the data transmitted via the connection arrives correctly at the destination equipment).

The other protocols supported are as follows:

- ARP, ICMP, Telnet, TFTP, AutoIP, DHCP, HTTP, and SNMP for communication on the network

## Software setup

---

### Addresses and port number

#### Ethernet address (MAC)

A splitter box is identified by its MAC address, encoded in 6 bytes. The first three bytes are fixed; they identify the manufacturer.

The next three are unique values assigned to each splitter box.

This address is fixed and cannot be modified. It can be seen on the label stuck on the side of the splitter box.

#### IP address

Every item of equipment connected to an Ethernet network must have a unique IP address. This address makes it possible to refer to a specific unit.

#### Subnet mask

The subnet mask defines a range of IP addresses that can be accessed from an item of equipment.

Standard IP subnet masks:

Network class	Host bits	Subnet mask
A	24	255.0.0.0
B	16	255.255.0.0
C	8	255.255.255.0

Examples:

Network class	Addresses	Accessible address ranges
C	IP: 192.168.0.1 Mask: 255.255.255.0	IP: 192.168.0.XXX
B	IP: 192.168.0.1 Mask: 255.255.0.0	IP: 192.168.XXX.XXX

XXX: 0 to 255

#### Port number

All TCP connections and all UDP datagrams are defined by a destination IP address and a port number. For example, a Telnet application generally uses port 23.

The serial channel of the unit (its port) can be associated with a particular TCP/UDP port number. Port number 9999 is reserved for accessing the unit's configuration window.

## Software setup

### Assigning an IP address by ARP and Telnet

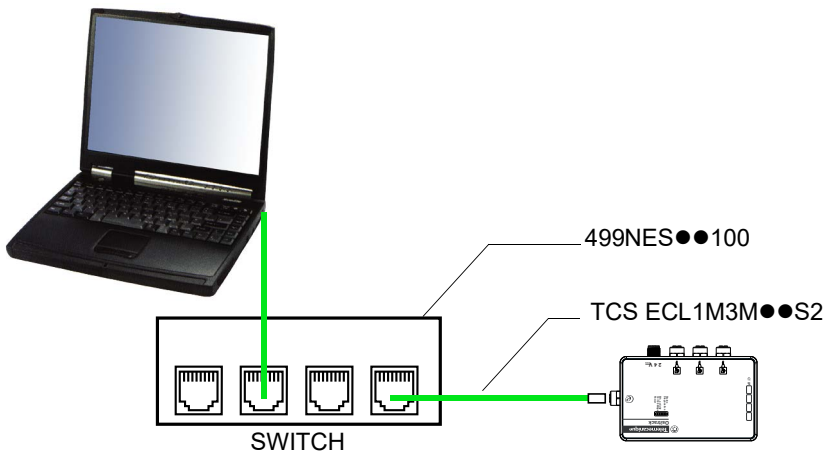
This method is recommended for configuring the splitter box IP address from a PC. The splitter box IP address must be configured for the network connection to be available.

In this case, it is necessary to have a fixed IP address. The network administrator is generally responsible for allocating IP addresses. You must have the following information available before starting to configure your splitter box:

IP address:	—	—	—	—
Gateway:	—	—	—	—
Subnet mask:	—	—	—	—

The PC must:

- be connected to the same network as the splitter box (or connected directly to the splitter box via a cross-over cable)
- have the TCP/IP protocol installed
- have a fixed IP address
- have a subnet mask compatible with the IP address that will be assigned to the splitter box (see section )



## Software setup

---

### Configuring the IP address

You can use either the procedure described in this chapter or the Web page integrated into the box (see section ).

## CAUTION

### UNINTENDED OPERATION

The product is factory-configured with the IP address 192.168.0.10. This address is reserved for new equipment and may not be used during operation. If the splitter box IP address is not known, a temporary IP address has to be assigned first (see section ).

**Failure to follow these instructions can result in injury or equipment damage.**

- 1 Configure the computer IP address with an address that is compatible with the splitter box one.  
(Example: Splitter box = 192.168.0.10 -> PC = 192.168.0.1).

## Software setup

- Open a Telnet connection on port 9999, and press the Enter key within three seconds to switch to Setup mode. If you wait longer than three seconds, the unit will restart (begin the procedure again).

Syntax	telnet "IP ADDRESS" 9999
Example	telnet 192.168.0.10 9999
Result	The following window appears

```

C:\ Telnet 192.168.0.10
Telemecanique - Modbus Bridge (XGSZ33ETH)
MAC address 0080A36A1A62
Software version V3.4.16.8A3 (210427) UDS1100
Password :----
Press Enter for Setup Mode

Model: Device Server Plus! (firmware Code:UA)

Modbus/TCP to RTU Bridge Setup
1) Network/IP Settings:
   IP Address ..... 192.1968.0.10
   Default Gateway ..... --- not set ---
   Netmask ..... --- not set ---
Telnet config password set
2) Serial & Mode Settings:
   Protocol ..... Modbus/RTU, slave(s) attached
   Serial Interface ..... 57600,8,E,1,RS485
3) Model Control Settings:
   Modem control not available with RS422/RS485
4) Advanced Modbus Protocol settings:
   Slave Addr/Unit Id Source .. Modbus/TCP header
   Modbus Serial Broadcasts ... Disabled (Id=0 auto-mapped to 1)
   MB/TCP Exception Codes .... Yes (return 00AH and 00BH)
   Char, Message Timeout ..... 00050msec, 05000msec
7) Security Settings:
   SNMP ..... Disabled
   Telnet Setup ..... Enabled
   TFTP Download ..... Disabled
   Port 77FEh ..... Enabled
   Web Server ..... Disabled
   Enhanced Password ..... Enabled

D) default settings, S)ave, Q)uit without save
Select Command or parameter set (1..7) to change:
  
```

## Software setup

---

- 3 During the first connection, users are asked to change the password of the Device. (Due to Cyber-security California Law, all the devices with IP address should be protected through password).

```
Telemecanique - Modbus Bridge (XGSZ333ETH)
MAC address 0080A36A1A62
Software version V3.4.16.8A3 (210427) UDS1100
Password :
```

- 4 Configure the parameters for function 1) Network/IP Settings.

**NOTE:** Except the "Modbus Serial Broadcasts" parameter, functions 2) and 4) correspond to parameters that must not be modified. In case of error, revert to the initial configuration

Initial configuration of parameters 2 and 4:

```
2) Serial & Mode Settings:
Protocol..... Modbus/RTU, Slave(s) attached
Serial interface ..... 57600,8,E,1,RS485
4) Advanced Modbus Protocol settings:
Slave addr/unit Id Source..... Modbus/TCP header
Modbus Serial Broadcasts..... Disabled (Id=0 auto-mapped to 1)
MB/TCP Exception codes ..... Yes (return 00AH and 00BH)
Char, Message Timeout..... 00050msec, 05000msec
```

It is possible to start the configuration procedure again from the beginning at any time by reinitializing the splitter box (turning off the power).  
The diagnostics LED (red) is on during configuration.

- 5 Reconfigure the computer IP address with an address that is compatible with the splitter box one.  
(Example: Splitter box = 192.168.0.220 -> PC = 192.168.0.1).



## Software setup

### Assigning a temporary IP address

## CAUTION

### UNINTENDED OPERATION

The product is factory-configured with the IP address 192.168.0.10. This address is reserved for new equipment and may not be used during operation. If the splitter box IP address is known (new splitter box or a splitter box already configured and whose IP Address we want to change), go directly to the previous section (see section ).

**Failure to follow these instructions can result in injury or equipment damage.**

- 1 Find the MAC address on the label affixed to one side of the splitter box.  
Example: 00-20-4A-xx-xx-xx
- 2 Using a PC running Windows (for Windows XP select Start/All Programs/Accessories/Command Prompt), enter an ARP command line as follows:

Syntax	<code>arp -s "IP ADDRESS" "MAC ADDRESS"</code>
Example	<code>arp -s 192.168.0.10 00-20-4a-xx-xx-xx</code>
Result	No response to this command unless an error occurs

The indicated IP address is a temporary address which will allow configuring the box according to the procedure specified in paragraph 2.2.1. Choose preferably an address which will be compatible with the IP address of your computer, in order to avoid reconfiguring the computer's IP address during the next steps. For example, if the computer is configured with the IP address 192.168.0.1, you can choose the IP address 192.168.0.10.

- 3 Open a Telnet connection on port 1. The splitter box will temporarily modify its IP address to adopt the one designated at this step.

Syntax	<code>telnet "IP ADDRESS" 1</code>
Example	<code>telnet 192.168.0.10 1</code>
Result	Connecting to 192.168.0.10...failed

**Nota** : Ignore the error message (Connecting.. Failed) that appears after the opening of a Telnet connection on port 1.

## Software setup

- 4 Open a Telnet connection on port 9999, and press the Enter key within three seconds to switch to Setup mode. If you wait longer than three seconds, the unit will restart (begin the procedure again).

Syntax	telnet "IP ADDRESS" 9999
Example	telnet 192.168.0.10 9999
Result	The following window appears

```

Telnet 192.168.0.10
Telemecanique - Modbus Bridge (XGSZ33ETH)
MAC address 0080A36A1A62
Software version V3.4.16.8A3 (210427) UDS1100
Password :----
Press Enter for Setup Mode

Model: Device Server Plus! (firmware Code:UA)

Modbus/TCP to RTU Bridge Setup
1) Network/IP Settings:
   IP Address ..... 192.1968.0.220
   Default Gateway ..... --- not set ---
   Netmask ..... --- not set ---
Telnet config passqord set
2) Serial & Mode Settings:
   Protocol ..... Modbus/RTU, slave(s) attached
   Serial Interface ..... 57600,8,E,1,RS485
3) Model Control Settings:
   Modem control not available with RS422/RS485
4) Advanced Modbus Protocol settings:
   Slave Addr/Unit Id Source .. Modbus/TCP header
   Modbus Serial Broadcasts ... Disabled (Id=0 auto-mapped to 1)
   MB/TCP Exception Codes .... Yes (return 00AH and 00BH)
   Char, Message Timeout ..... 00050msec, 05000msec
7) Security Settings:
   SNMP ..... Disabled
   Telnet Setup ..... Enabled
   TFTP Download ..... Disabled
   Port 77FEh ..... Enabled
   Web Server ..... Disabled
   Enhanced Password ..... Enabled

D) efault settings, S)ave, Q)uit without save
Select Command or parameter set (1..7) to change:

```

The IP address of the box is displayed (here: 192.168.0.220). To change it, follow the 2.2.1 procedure.

## Modbus and Ethernet Modbus TCP/IP protocols

### General

#### Modbus protocol

The splitter box and the compact stations constitute a Modbus network operating on the client/server principle.

The splitter box is the client, and the compact stations are the servers.

#### MODBUS Addressing rules

Each server has its own address that enables it to know that the client is addressing it.

The MODBUS addressing space comprises 256 different addresses:

0	1...247	248...255
Broadcast address	server individual addresses	Reserved

NB: With the Modbus TCP/IP Ethernet protocol, the 255 address is the address of the Modbus client.

#### Modes of Modbus addressing rules

Modbus presents 2 modes of addressing rules:

The Unicast mode:

In that mode, the client addresses an individual server. After receiving and processing of the request, the server returns a reply message to the client . A Modbus transaction is constituted of 2 messages: the client request and the server reply.

Each server must have a unique address (from 1 to 247). For the Ositrack compact station, this address is comprised between 1 and 15.

On the Modbus network, each server must have a different address.

For further details concerning the address setting of a station, refer to the user manual of the compact station (DIA4ED3051001).

The broadcast mode:

In broadcast mode, the client sends a request to all servers, but contrary to the individual mode, the latters will not return a reply. The broadcast requests can be only writing commands. The 0 address is reserved to this use.

Warning: As the servers do not return any answer; the only way of being sure that they all took into account the command is to send a reading of checking server by server.

## Modbus and Ethernet Modbus TCP/IP protocols

The Broadcast mode is supported by the XGS Z33ETH box, but is not activated by default.

To activate the Broadcast mode:

- Open a Telnet connection on port 9999, and press the Enter key within three seconds to switch to Setup mode. If you wait longer than three seconds, the unit will restart (begin the procedure again).

Syntax	telnet "IP ADDRESS" 9999
Example	telnet 192.168.0.10 9999
Result	The following window appears

```

c:\ Telnet 192.168.0.10
Telemecanique - Modbus Bridge (XGSZ33ETH)
MAC address 0080A36A1A62
Software version V3.4.16.8A3 (210427), UDS1100
Password :----
Press Enter for Setup Mode

Model: Device Server Plus! (firmware Code:UA)

Modbus/TCP to RTU Bridge Setup
1) Network/IP Settings:
   IP Address ..... 192.1968.0.10
   Default Gateway ..... --- not set ---
   Netmask ..... --- not set ---
Telnet config passqord set
2) Serial & Mode Settings:
   Protocol ..... Modbus/RTU, slave(s) attached
   Serial Interface ..... 57600,8,E,1,RS485
3) Model Control Settings:
   Modem control not available with RS422/RS485
4) Advanced Modbus Protocol settings:
   Slave Addr/Unit Id Source .. Modbus/TCP header
   Modbus Serial Broadcasts ... Disabled (Id=0 auto-mapped to 1)
   MB/TCP Exception Codes .... Yes (return 00AH and 00BH)
   Char, Message Timeout ..... 00050msec, 05000msec
7) Security Settings:
   SNMP ..... Disabled
   Telnet Setup ..... Enabled
   TFTP Download ..... Disabled
   Port 77FEh ..... Enabled
   Web Server ..... Disabled
   Enhanced Password ..... Enabled

D) efault settings, S)ave, Q)uit without save
Select Command or parameter set (1..7) to change:

```

Configure the function 4) so as to get:

### Modbus Serial Broadcasts ... Enabled (Id=1 used as broadcast)

For further details concerning the Modbus function supported by the Ositrack compact station, refer to the user guide delivered with the compact station (DIA4ED3051001).

## Modbus and Ethernet Modbus TCP/IP protocols

### Ethernet Modbus TCP/IP protocol

Modbus TCP/IP encloses a Modbus frame inside a TCP/IP frame.

The Ethernet network is used as a channel for data exchanges between the splitter box and other equipment (PLCs, etc).

The splitter box supports up to 8 active sockets. Simultaneous Modbus TCP/IP requests are automatically queued to the Ositrack compact stations.

#### Supported requests:

We can differentiate two types of requests:

- the requests addressed to servers,
- the requests addressed to the Modbus client, so to the box itself.

#### Requests addressed to the Modbus servers

The XGS Z33ETH box is transparent with regard to these requests: they extract the Modbus request of the TCP/IP frame and send it on the Modbus network. When it receives the server reply, it returns it to the transmitter by Ethernet after having inserted it in a TCP/IP frame. All Modbus requests are accepted by the XGS Z33ETH box, but only the requests supported by the connected servers can be used. All others will return an exception error code.

For further details concerning the Modbus function supported by the Ositrack station, refer to the user guide delivered with the compact station (DIA4ED3051001).

#### Requests addressed to the Modbus client

The XGS Z33ETH box supports only the identification request (2BH function). This request will be used principally to read the software version of the box. To address the box you must use the address 255.

2BH identification requests:

Field	Length	Code (H=Hexadecimal)	Remark
Address	1 byte	FFH	client Adress
Function code	1 byte	2BH	-
MEI	1 byte	0EH	Modbus Encapsulated Interface
Read Device ID Code	1 byte	01H (BASIC identification) 02H (REGULAR BASIC) 03H (EXTENDED identification)	-
Objet ID	1 byte	00H	-

NB : It exists 3 types of identification : "Basic", "Regular", "Extended". The type of identification is selected by the field value "Read Device ID Code". The 3 types of identification are supported, but the given reply is identical for the 3 types, and corresponds to the type of identification "Basic".

## Modbus and Ethernet Modbus TCP/IP protocols

Reply to the 2BH identification request:

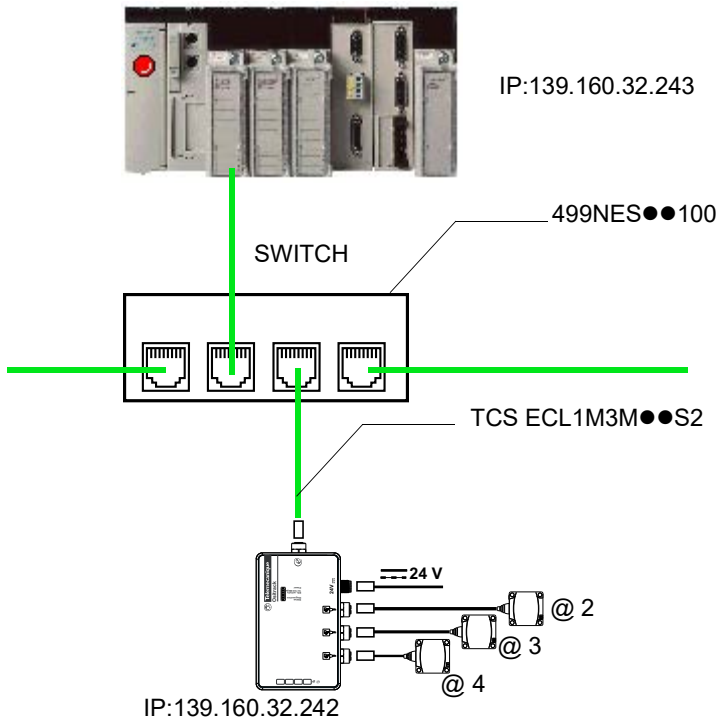
Field	Length	Code (H=Hexadecimal)	Remark
Address	1 byte	FFH	client Adress
Function code	1 byte	2BH	-
MEI	1 byte	0EH	Modbus Encapsulated Interface
Read Device ID Code	1 byte	01H (BASIC identification) 02H (REGULAR identification) 03H (EXTENDED identification)	-
Conformity level	1 byte	01H	"BASIC" Identification
More follows	1 byte	00H	All asked data are in the reply
Next Object ID	1 byte	00H	-
Number of objects	1 byte	03H	-
ID Object No.1	1 byte	00H	-
Length Object No.1	1 byte	0DH	
Value Object No.1	13 bytes	Telemecanique	Manufacturer name in ASCII
ID Object No.2	1 byte	01H	-
Length Object No.2	1 byte	09H	
Value Object No.2	09 bytes	XGSZ33ETH	Part number in ASCII
ID Object No.3	1 byte	01H	-
Length Object No.3	1 byte	0BH	
Value Object No.3	11 bytes	V3.0.16.2B5	XGS Z33ETH Software version in ASCII

# Modbus and Ethernet Modbus TCP/IP protocols

## Examples of applications

### Assembly

A splitter box and a Premium PLC are connected to an Ethernet network. The IP address of these two items has been configured as follows.



## Modbus and Ethernet Modbus TCP/IP protocols

### Hardware configuration of the PLC with PL7 PRO (V4.3 ou higher)

To enable communication between these two components, the PLC hardware configuration must be entered, giving:

- An XWAY address for the station
- The IP address of the splitter box
- The protocol of the splitter box

The screenshot shows the 'Configuration' window for a 'FACTORYCAST MODULE'. The 'Connection configuration' section contains a table with the following data:

	Xway Addr.	IP address	Protocol	Access	Mode
1	1.106	139.160.32.242	MODBUS	<input checked="" type="checkbox"/>	MULTI
2			UNITE	<input checked="" type="checkbox"/>	MULTI
3			UNITE	<input checked="" type="checkbox"/>	MULTI
4			UNITE	<input checked="" type="checkbox"/>	MULTI
5			UNITE	<input checked="" type="checkbox"/>	MULTI
6			UNITE	<input checked="" type="checkbox"/>	MULTI
7			UNITE	<input checked="" type="checkbox"/>	MULTI
8			UNITE	<input checked="" type="checkbox"/>	MULTI
9			UNITE	<input checked="" type="checkbox"/>	MULTI
10			UNITE	<input checked="" type="checkbox"/>	MULTI
11			UNITE	<input checked="" type="checkbox"/>	MULTI
12			UNITE	<input checked="" type="checkbox"/>	MULTI

XWAY address of the servers

IP address of the servers

Protocol of the servers



## Modbus and Ethernet Modbus TCP/IP protocols

### Example of programming a request for station @ 2

```
(*---- Step 2 -----*)
(* Read status word = test presence tag station @ 2*)
IF NOT %MW702:X0 THEN
    %MD1:=16#00008000;(* STATUS *)
    READ_VAR(ADR#{1.106}0.0.2,'%mw',%MD1,1,%MW800:2,%MW702:4);
END_IF;
```

ADR#{1.106} <=> 139.160.32.242

Modbus address = 2

During programming, use the XWAY address to specify the station.  
The Modbus address is set to 2.

### PLC configuration with Unity PRO XL V1.0.1

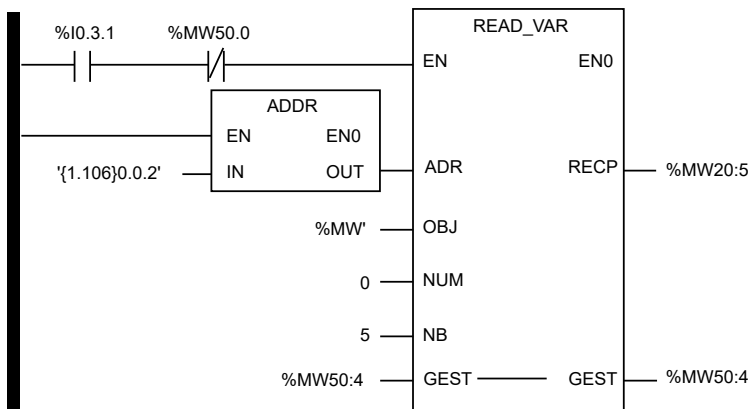
The screenshot shows the 'Configuration IP' window in the Unity PRO XL V1.0.1 software. The 'Messagerie' tab is active. Under 'Adresse XWAY', the 'Réseau' field is set to 0 and the 'Station' field is set to 0. The 'Configuration des connexions' section contains a table with columns for 'Adresse XWAY', 'Adresse IP', 'Accès', and 'Mode'. The first row is populated with '1.106', '139.160.32.242', and 'MULTI'. Below the table, there is a 'Contrôle d'accès' checkbox which is currently unchecked.

	Adresse XWAY	Adresse IP	Accès	Mode
1	1.106	139.160.32.242	<input checked="" type="checkbox"/>	MULTI
2			<input checked="" type="checkbox"/>	
3			<input checked="" type="checkbox"/>	
4			<input checked="" type="checkbox"/>	
5			<input checked="" type="checkbox"/>	
6			<input checked="" type="checkbox"/>	
7			<input checked="" type="checkbox"/>	
8			<input checked="" type="checkbox"/>	
9			<input checked="" type="checkbox"/>	
10			<input checked="" type="checkbox"/>	
11			<input checked="" type="checkbox"/>	
12			<input checked="" type="checkbox"/>	

## Modbus and Ethernet Modbus TCP/IP protocols

Reading 5 words in the tag from word %MW 0 of the tag in station @ 2

### LADDER programming



### Structured Text programming

```

if % I0.3.1 and not Management_buffer[0].0 then
    READ_VAR (adr := ADDR ('(1.106)0.0.2'),
              OBJ := '%MW',
              NUM := 0,
              NB := 5,
              GEST := Management_buffer,
              RECP => Reception_buffer);
end_if;

```

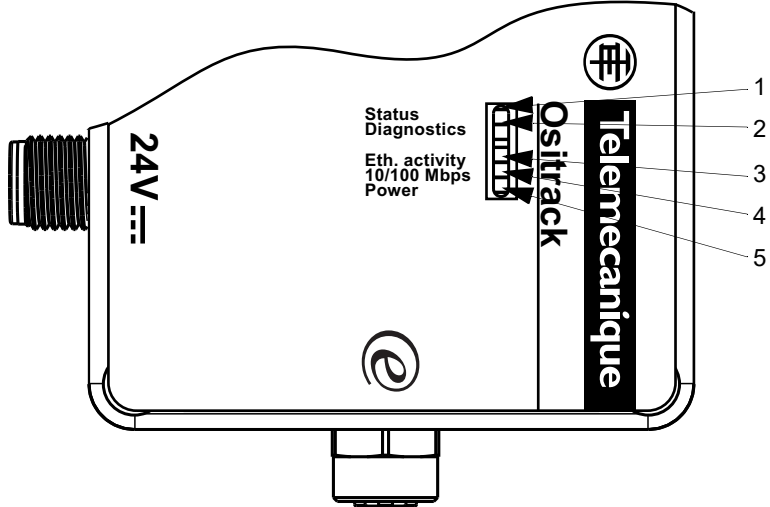
Reception_buffer	ARRAY[0..4] OF INT
Reception_buffer[0]	INT
Reception_buffer[1]	INT
Reception_buffer[2]	INT
Reception_buffer[3]	INT
Reception_buffer[4]	INT

Management_buffer	ARRAY[0..3] OF INT
Management_buffer[0]	INT
Management_buffer[1]	INT
Management_buffer[2]	INT
Management_buffer[3]	INT

## Diagnostics

### Diagnostic LED states

The splitter box has five LEDs that are visible through a window on the cover:



LED	Name	Color
1	Status	Green
2	Diagnostics	Red
3	Eth. activity	Yellow/Green
4	Eth 10/100 Mb	Yellow/Green
5	Power supply	Green

## Diagnostics

---

The splitter box has the following LEDs, which help you diagnosing problems:

- Status (green)
- Diagnostic (red)
- Ethernet Half/Full Duplex Activity (yellow = Half Duplex/green = Full Duplex)
- Ethernet 10/100 Link (yellow = 10 Mb/green = 100 Mb)
- Power (green)

If the red Diagnostics LED is on at the same time as the Status LED, this indicates a problem. If the red LED is on (continuously or flashing), count the number of times the green LED flashes between the pauses.

The following table explains the LED functions:

Condition	Diagnostic LED	Channel 1 Status LED
No Errors	OFF	N/A
Network controller error	ON	Blinks 3x/4 seconds
Serial number storage Checksum error	ON	Blinks 4x/4 seconds
Duplicate IP address present	ON	Blinks 5x/4 seconds
No DHCP response	Blinks 2x/second	Blinks 5x/4 seconds
Setup menu active	Blinks 2x/second	Follows Diagnostic LED for 2 seconds, off for 2 seconds

## Diagnostics

### Diagnostics during Ethernet addressing

PROBLEM/ MESSAGE	CAUSE	SOLUTION
When you send the <b>ARP -S</b> command, the message " <b>The ARP entry addition failed: 5</b> " is displayed.	You have opened a session with an ID that does not give you the user rights for this command on this PC.	Open a new session with the required user rights.
You are trying to assign an IP address to the splitter box using the <b>ARP</b> method, but the error message " <b>Press Enter to go into Setup Mode</b> " is displayed. When you try again to connect to the unit by Telnet, you are disconnected.	When connecting by Telnet to port 1 of the splitter box, the IP address you are giving is temporary. When connecting by Telnet to port 9999, you must press the Enter key quickly otherwise the unit restarts, which causes the IP address to be lost.	Set up a new connection by Telnet on port 1. Wait until the connection fails, then set up a new connection by Telnet on port 9999, and make sure you press Enter quickly.
When you connect by <b>Telnet</b> on <b>port 9999</b> , the message "Press Enter to go into Setup Mode" is displayed, but nothing happens when you press the Enter key, or the connection is broken.	You have not pressed the Enter key quickly enough. You have only 3 seconds to press Enter before disconnection.	Set up a new connection by Telnet on port 9999, but press the Enter key as soon as the message "Press Enter to go into Setup Mode" is displayed.

## Diagnostics

PROBLEM/ MESSAGE	CAUSE	SOLUTION
<p>When you connect by Telnet on port 1 to assign an IP address to the splitter box, <b>the Telnet window does not react any more.</b></p>	<p>It is possible that you have given an incorrect Ethernet address using the ARP command.</p>	<p>Check that the Ethernet address you gave using the ARP command is correct. An Ethernet address must contain only figures from 0 to 9 and letters from A to F. Under Windows and, generally, under Unix, the segments of the Ethernet address are separated by full stops. In some variants of Unix, the Ethernet address segments are separated by colons.</p>
	<p>The IP address you are trying to assign does not appear in your logical subnet.</p>	<p>Check that your PC has an IP address and that this is on the same logical subnet as the address you are trying to assign to the unit.</p>
	<p>The splitter box may not be connected to the network correctly.</p>	<p>Check that the link indicator LED is on. If this LED is not on continuously, this means that the physical link with the network is faulty.</p>
<p>A "Ping" test of the splitter box returns a response, but it is <b>impossible to connect by Telnet to port 9999.</b></p>	<p>It is possible there is an IP address conflict on the network.</p>	<p>Turn off the splitter box and enter the following command at the DOS prompt on your computer:</p> <pre>ARP -D X.X.X.X PING X.X.X.X</pre> <p>(where X.X.X.X is the IP address of the splitter box).</p> <p>If you get a response, there is a duplicate IP address on the network (the flashing sequence of the LEDs on the splitter box should confirm this).</p>

### Ethernet address (MAC)

A splitter box is identified by its MAC address, encoded in 6 bytes.

The first three bytes are fixed; they identify the manufacturer.

The next three are unique values assigned to each splitter box.

This address is fixed and cannot be modified. It can be seen on the label stuck on the side of the casing.

### IP address

All equipment connected to an Ethernet network must have a unique IP address.

This address makes it possible to refer to a specific unit.

### ARP and Telnet

The IP address is assigned **manually**, using an online command utility (under UNIX or Windows) that also allows the network parameters to be configured. Only one person at a time can be connected to the configuration port (port 9999). This precaution eliminates any risk of several people attempting to configure the unit.

### Auto IP

This **automatic** method is recommended if there is a small group of hosts rather than a large network. It allows the hosts to negotiate the addresses with one another and assign them accordingly, in this way creating a small network.

### DHCP

The DHCP server **automatically** assigns the IP address and provides the network configuration. The IP address will be different for each reconnection to the network or restart.

### Subnet mask

The subnet mask defines a range of IP addresses that can be accessed from an item of equipment.

### Port number

All TCP connections and all UDP datagrams are defined by a destination IP address and a port number. For example, a Telnet application generally uses port 23. A port number is similar to the last part of a telephone number for a public switched telephone network.

The serial channel of the unit (its port) can be associated with a particular TCP/UDP port number. Port number 9999 is reserved for accessing the unit's configuration window.

### UDP

User Datagram Protocol

This protocol is mainly used for broadcasting under TCP/IP.

## Glossary

---

---



# Table des matières

---

Chapitre	Page
<b>Consignes de sécurité</b>	<b>5</b>
<b>A propos de ce manuel</b>	<b>7</b>
<b>1 Mise en oeuvre matérielle</b>	<b>9</b>
1.1 Description	9
1.2 Présentation	10
1.2.1 Généralité	10
1.2.2 Câblage	11
1.2.3 Voyants de signalisation	12
1.3 Dimensions	13
1.4 Caractéristiques	14
1.5 Raccordements	15
1.5.1 Raccordement de l'alimentation	15
1.5.2 Raccordement des stations compactes Ositrack	15
1.5.3 Raccordement Ethernet	16
1.6 Exemples de réseau Ethernet TCP/IP Modbus	17
<b>2 Mise en oeuvre logicielle</b>	<b>19</b>
2.1 Généralités	19
2.1.1 Protocoles pris en charge	19
2.1.2 Adresses et numéro de port	20
2.2 Affectation d'une adresse IP par ARP et Telnet	21
2.2.1 Configurer l'adresse IP	22
2.2.2 Affectation d'une adresse IP temporaire	25

## Table des matières

---

Chapitre	Page	
<b>3</b>	<b>Protocoles Modbus et Ethernet TCP/IP Modbus</b>	<b>27</b>
3.1	Généralités	27
3.1.1	Protocole Modbus	27
3.1.2	Protocole Ethernet TCP/IP Modbus	29
3.2	Exemples d'application	31
3.2.1	Montage	31
3.2.2	Configuration matérielle de l'automate avec PL7 PRO (V4.3 ou supérieure)	32
3.2.3	Exemple de programmation d'une requête pour la station @ 2	33
3.2.4	Configuration de l'automate avec Unity PRO XL V1.0.1	33
3.2.5	Lecture de 5 mots dans l'étiquette à partir de mot %MW 0 de l'étiquette dans la station @ 2	34
<b>4</b>	<b>Diagnostic</b>	<b>35</b>
4.1	Etat des voyants de diagnostic	35
4.2	Diagnostic durant l'adressage Ethernet	37
<b>5</b>	<b>Glossaire</b>	<b>39</b>

## Consignes de sécurité

---

### Informations Importantes

#### AVIS

Veillez lire soigneusement ces consignes et examiner l'appareil afin de vous familiariser avec lui avant son installation, son fonctionnement ou son entretien. Les messages particuliers qui suivent peuvent apparaître dans la documentation ou sur l'appareil. Ils vous avertissent de dangers potentiels ou attirent votre attention sur des informations susceptibles de clarifier ou de simplifier une procédure.



L'apposition de ce symbole à un panneau de sécurité Danger ou Avertissement signale un risque électrique pouvant entraîner des lésions corporelles en cas de non-respect des consignes.



Ceci est le symbole d'une alerte de sécurité. Il vous avertit d'un risque de blessures corporelles. Respectez scrupuleusement les consignes de sécurité associées à ce symbole pour éviter de vous blesser ou de mettre votre vie en danger.

### DANGER

DANGER indique une situation immédiatement dangereuse qui, si elle n'est pas évitée, **entraînera** la mort ou des blessures graves.

### AVERTISSEMENT

AVERTISSEMENT indique une situation présentant des risques susceptibles de **provoquer** la mort, des blessures graves ou des dommages matériels.

### ATTENTION

ATTENTION indique une situation potentiellement dangereuse et susceptible d'**entraîner** des lésions corporelles ou des dommages matériels.

## Consignes de sécurité

---

---

### REMARQUE IMPORTANTE

Les équipements électriques doivent être installés, exploités et entretenus par un personnel d'entretien qualifié. Schneider Electric n'assume aucune responsabilité des conséquences éventuelles découlant de l'utilisation de cette documentation.

© 2008 Schneider Electric. All Rights Reserved.

## A propos de ce manuel

---

### Présentation

#### Objectif du document

Ce guide décrit l'utilisation des stations compactes Ositrack et des accessoires associés.

#### Document à consulter

Titre	Référence
Manuel utilisateur : Stations compactes	1655669 01
Manuel utilisateur : Terminal portable	1690004 01

#### Commentaires utilisateur

Vous pouvez nous joindre sur la page support technique de votre site Web TeSensors pays.

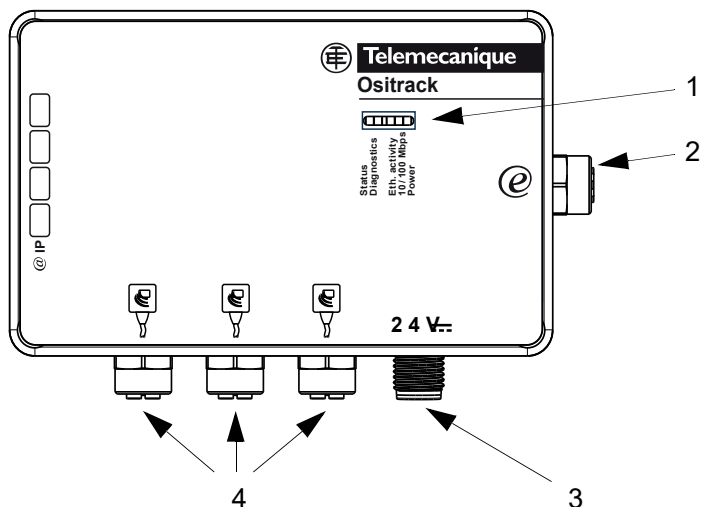
## A propos de ce manuel

---

---

## Mise en oeuvre matérielle

### Description



Encombrement : 237 mm (9.33 in) x 120 mm (4.72 in) x 60 mm (2.36 in)

Repère	Description
1	Voyants de signalisation du réseau Ethernet et de l'alimentation
2	Embase Ethernet
3	Embase Alimentation 24 V
4	3 Embases Stations compactes Ositrack

## Mise en oeuvre matérielle

---

---

### Présentation

---

#### Généralité

Cette boîte permet de raccorder de 1 à 3 stations compactes XGCS sur un réseau Ethernet.

Les échanges d'informations avec les stations Ositrack se font suivant le protocole Modbus TCP/IP.

En tant que serveur sur le réseau, la boîte de raccordement peut recevoir des messages de données et y répondre.

Cet échange de données permet à votre réseau d'accéder à certaines fonctions des stations Ositrack telles que :

- Lecture/écriture d'étiquettes,
- Commande et contrôle,
- Surveillance,
- Diagnostic.

Nous vous invitons à consulter également le catalogue station compacte RFID DIA4ED2140601FR.



## Mise en oeuvre matérielle

### Câblage

Pour le câblage, utiliser les éléments suivants (voir catalogues Schneider Electric) :

Repère	Type de câble/ connecteurs	Type d'équipement à raccorder	Longueur du câble (m)	Référence
2	Câble droit IP67 M12 4 pts A / RJ45	Switch	1	TCS ECL1M3M1S2
			3	TCS ECL1M3M3S2
		Hub	5	TCS ECL1M3M5S2
			10	TCS ECL1M3M10S2
			40	TCS ECL1M3M40S2
3	Prolongateur M12 4 pts A / fils nus	Alimentation --- 24 V	2	XGS Z09L2*
			5	XGS Z09L5*
			10	XGS Z09L10*
4	Rallonge M12 mâle 5 pts A / M12 femelle	Stations Compactes Ositrack XGCS●●●●●●●●	1	TCS MCN1M1F1
			2	TCS MCN1M1F2
			5	TCS MCN1M1F5
			10	TCS MCN1M1F10

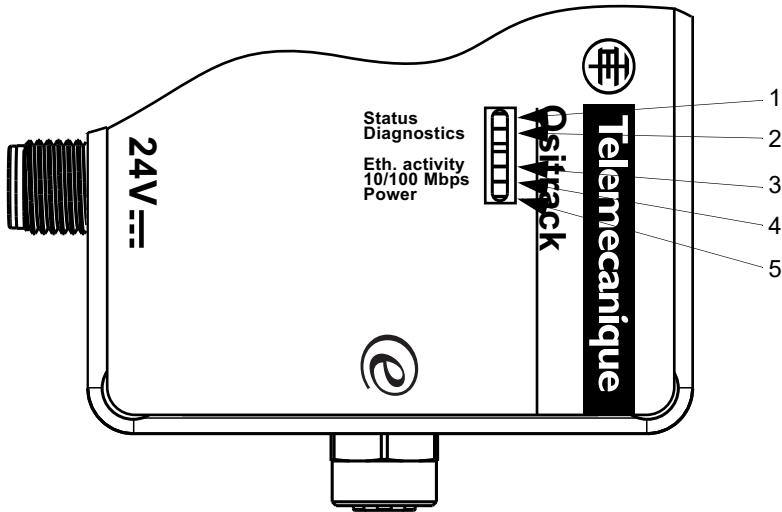
NOTA Lorsqu'une embase n'est pas utilisée, monter sur cette embase le bouchon de protection FTXCN12B.

Voir le catalogue Connexium pour les accessoires et câbles Ethernet IP67.

\* Les câbles XGS Z09L● viennent en remplacement des câbles XGS Z08L● à partir du 1er Janvier 2008.

## Mise en oeuvre matérielle

### Voyants de signalisation



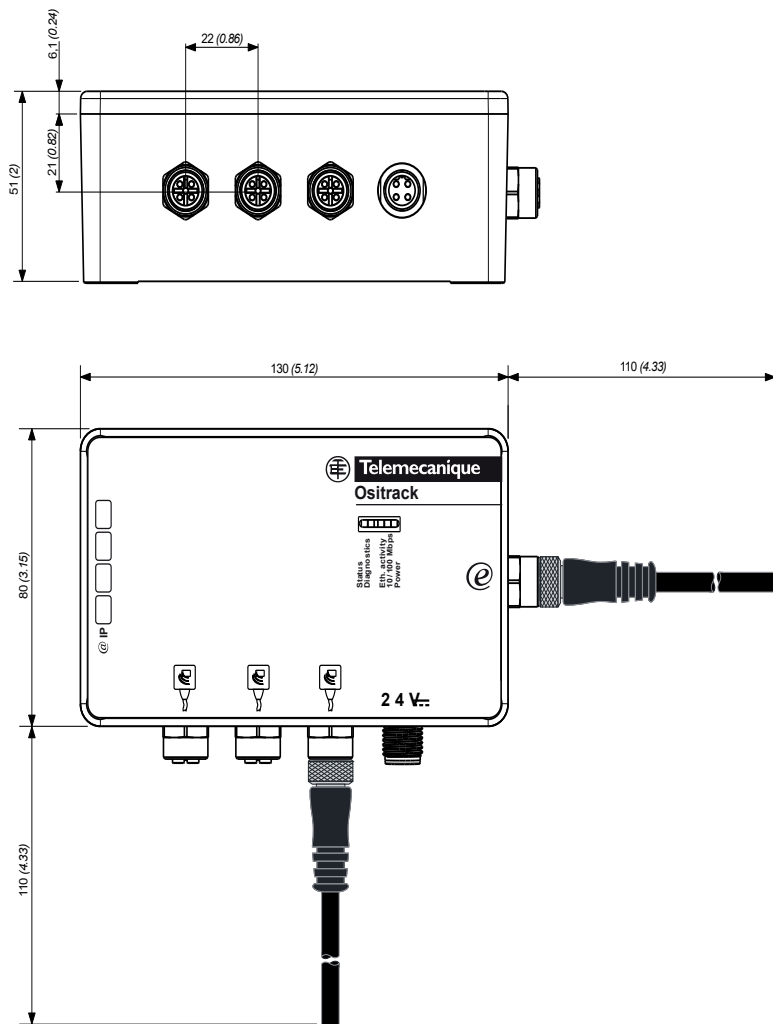
Voyant	Couleur	Description
1	Vert	Status
2	Rouge	Diagnostics
3	Jaune/Vert	Activité Eth.
4	Jaune/Vert	Eth 10/100 Mb
5	Vert	Alimentation

La boîte de raccordement est munie de 5 voyants de signalisation dont le fonctionnement est détaillé au chapitre 4 - Diagnostic.

## Mise en oeuvre matérielle

### Dimensions

Dimensions en mm (*inch*).



Couple de serrage maximum des connecteurs M12 = 10 Nm (88.5 lbf.in)

## Mise en oeuvre matérielle

### Caractéristiques

<b>Services Transparent Ready</b>	Classe	A10
	Serveur Web de base	Configuration Adresse IP de la boîte
	Service de base de communication Ethernet TCP/IP	Messagerie Modbus (lecture/écriture de mots d'entrées/sorties) Requêtes : Modbus TCP/IP de 123 mots maxi
<b>Connexion Ethernet</b>	Interface physique	10BASE-T/100BASE-TX
	Débit binaire	10/100 Mbit/s
	Médium	Câble Ethernet IP67 avec raccordement M12 codage D réf : TCS ECL1M3M●●S2
<b>Autres caractéristiques</b>	Température de fonctionnement	-25...+70°C (-13... +158°F)
	Température de stockage	-40...+85°C (-40... +185°F)
	Humidité relative	30...95 % sans condensation
	Degré de protection	IP65
	Alimentation	— 24 V (limites 21...29 V) TBTP
	Consommation	< 1,0 W
	Stations	Connecteur type M12, 5 contacts femelles.
	Conformité aux normes	UL 508, CE Perturbations électromagnétiques, niveau 3 IEC61000 et EN55022

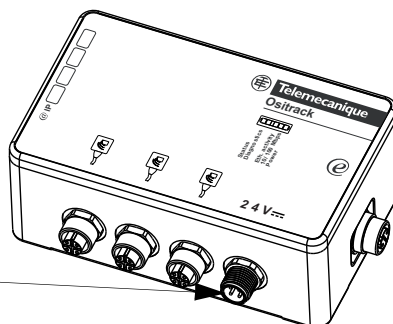
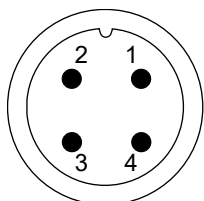
## Mise en oeuvre matérielle

### Raccordements

#### Raccordement de l'alimentation

##### Embase mâle, M12 :

- 1 - Plus alimentation (24 V)
- 2 - Plus alimentation (24 V)
- 3 - Moins alimentation (0 V)
- 4 - Moins alimentation (0 V)

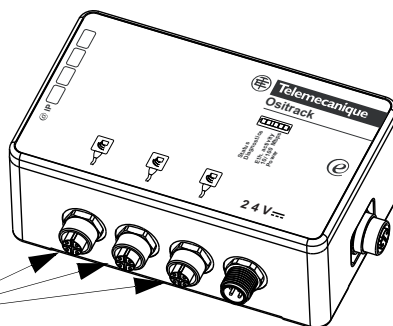
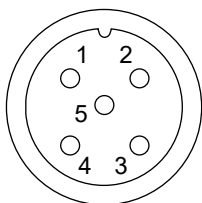


Raccordement à cette embase :  
Connecteur : XZC C12FDM40B à bornes  
ou  
Câble : XGS Z09L●

#### Raccordement des stations compactes Ositrack

##### Embase femelle, M12 :

- 1 - Terre
- 2 - 24 V
- 3 - 0 V
- 4 - D0
- 5 - D1



Raccordement à cette embase :  
Connecteur : FTX DP12M5

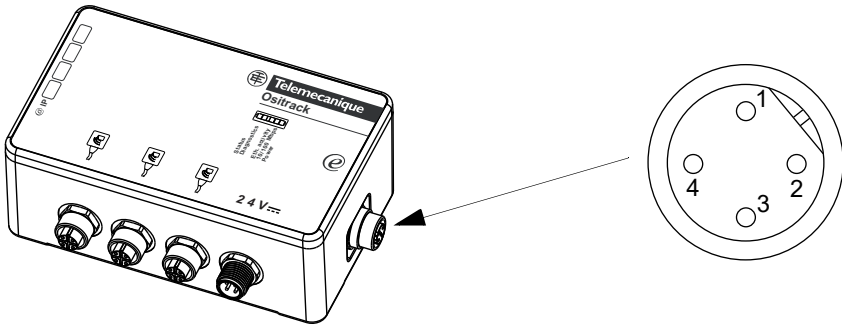
Pour plus d'informations sur les câbles, voir § .

# Mise en oeuvre matérielle

## Raccordement Ethernet

Le raccordement au réseau Ethernet se fait à l'aide d'un câble muni d'un connecteur M12 (à relier à la boîte de raccordement) et d'un connecteur RJ45 (à relier à un switch ou un HUB). Pour plus d'informations sur les câbles, voir § .

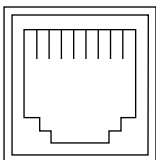
### Embase femelle, M12 codage D :



Contact M12	Signal	Signal	Contact RJ45
1	TD +	TD +	1
3	TD -	TD -	2
2	RD +	RD +	3
-	non connecté	non connecté	4
-	non connecté	non connecté	5
4	RD -	RD -	6
-	non connecté	non connecté	7
-	non connecté	non connecté	8

### Connecteur RJ45 :

1 2 3 4 5 6 7 8

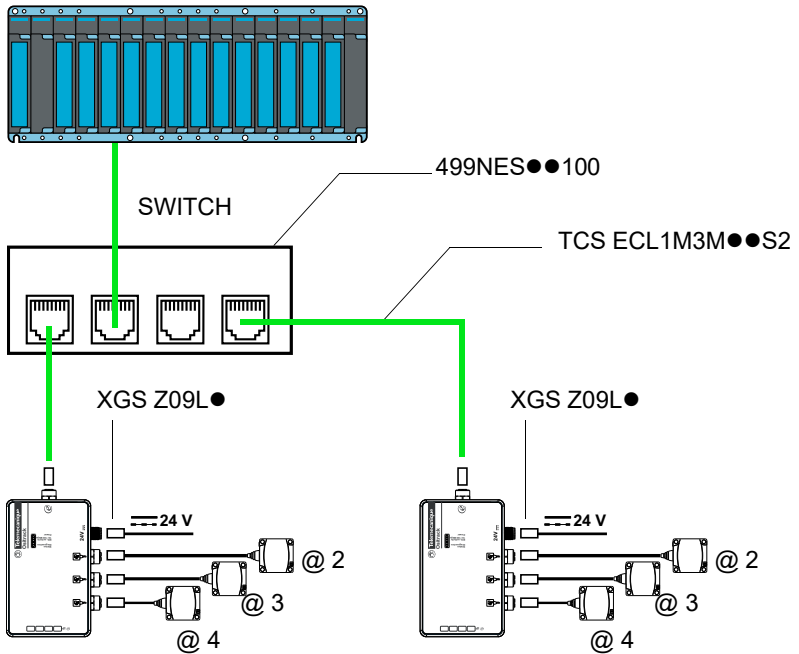


## Mise en oeuvre matérielle

### Exemples de réseau Ethernet TCP/IP Modbus

Avant de raccorder la boîte de raccordement sur le réseau, il faut impérativement configurer son adresse IP (voir §).

Une fois configurée, il est possible de connecter plusieurs boîtes de raccordement sur un même réseau Ethernet. Il suffit pour cela que chaque boîte de raccordement soit configurée avec une adresse IP différente.



Pour plus d'information sur la configuration et le câblage des stations, voir le Guide station compacte Ositrack DIA4ED3051001.

La boîte de raccordement contient une terminaison fin de ligne.

La boîte de raccordement supporte jusqu'à 8 connexions simultanées (gestion du buffer).

## Mise en oeuvre matérielle

---

---



## Mise en oeuvre logicielle

---

---

### Généralités

---

#### Protocoles pris en charge

Les échanges avec les stations compactes Ositrack se font à l'aide du service de messagerie TCP/IP.

La boîte de raccordement Ethernet utilise les protocoles Internet IP (pour les communications sur le réseau) et TCP (pour éviter toute perte ou duplication de données, et pour vérifier que toutes les données transmises via la connexion arrivent correctement à l'équipement de destination).

Les autres protocoles pris en charge sont les suivants :

- ARP, ICMP, Telnet, TFTP, AutoIP, DHCP, HTTP, et SNMP pour les communications sur le réseau.

## Mise en oeuvre logicielle

---

### Adresses et numéro de port

#### Adresse Ethernet (MAC)

Une boîte de raccordement est identifiée par son adresse MAC, codée sur 6 octets. Les trois premiers octets sont fixes, ils identifient le constructeur.

Les trois suivants sont des valeurs uniques affectées à chaque boîte de raccordement.

Cette adresse est fixe et ne peut pas être modifiée. Elle est visible sur l'étiquette collée sur le coté de la boîte de raccordement.

#### Adresse IP

Tous les équipements connectés à un réseau Ethernet doivent posséder une adresse IP unique. Cette adresse permet de faire référence à une unité spécifique.

#### Masque de sous-réseau

Le masque de sous-réseau définit une plage d'adresses IP accessibles depuis un matériel.

Masques de sous-réseau IP standard :

Classe réseau	Bits hôtes	Masque de sous réseau
A	24	255.0.0.0
B	16	255.255.0.0
C	8	255.255.255.0

Exemples :

Classe réseau	Adresses	Plages d'adresses accessibles
C	IP : 192.168.0.1 Masque : 255.255.255.0	IP : 192.168.0.XXX
B	IP : 192.168.0.1 Masque : 255.255.0.0	IP : 192.168.XXX.XXX

XXX : 0 à 255

#### Numéro de port

Toutes les connexions en TCP et tous les datagrammes UDP sont définis par une adresse IP de destination et un numéro de port. Par exemple, une application Telnet utilise en général le port 23.

Le canal sériel de l'unité (son port) peut être associé à un numéro de port TCP/UDP particulier. Le numéro de port 9999 est réservé pour l'accès à la fenêtre de configuration de l'unité.

## Mise en oeuvre logicielle

### Affectation d'une adresse IP par ARP et Telnet

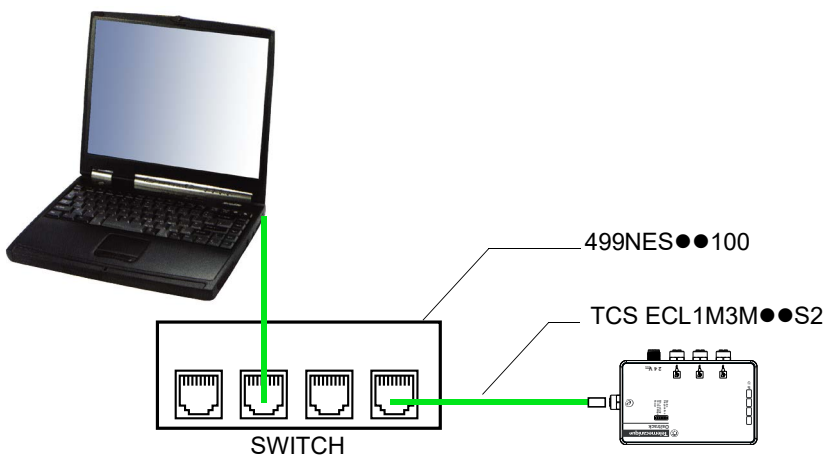
Cette méthode est recommandée pour configurer l'adresse IP de la boîte de raccordement à partir d'un PC. L'adresse IP de la boîte de raccordement doit être configurée pour que la connexion réseau soit disponible.

Dans ce cas, il est nécessaire de disposer d'une adresse IP fixe. L'administrateur réseau est généralement chargé d'attribuer les adresses IP. Vous devez disposer des informations suivantes avant de commencer à configurer votre boîte de raccordement :

Adresse IP:                    \_\_\_    \_\_\_    \_\_\_    \_\_\_  
Passerelle :                \_\_\_    \_\_\_    \_\_\_    \_\_\_  
Masque de sous-réseau : \_\_\_    \_\_\_    \_\_\_    \_\_\_

Le PC doit:

- être connecté sur le même réseau que la boîte de raccordement (ou relié directement à la boîte de raccordement via un câble croisé)
- avoir le protocole TCP/IP installé
- avoir son adresse IP fixe
- avoir son masque de sous-réseau compatible avec l'adresse IP qui sera attribuée à la boîte de raccordement (voir § )



## Mise en oeuvre logicielle

---

### Configurer l'adresse IP

Vous pouvez utiliser soit la procédure décrite dans ce chapitre, soit la page Web intégrée à la boîte (voir § ).

## ATTENTION

### FONCTIONNEMENT INATTENDU

Le produit est configuré en usine avec l'adresse IP 192.168.0.10. Cette adresse est réservée aux nouveaux équipements et ne peut être utilisée en exploitation. Si l'adresse IP de la boîte de raccordement n'est pas connue, il faut tout d'abord lui affecter une adresse IP temporaire (voir § )

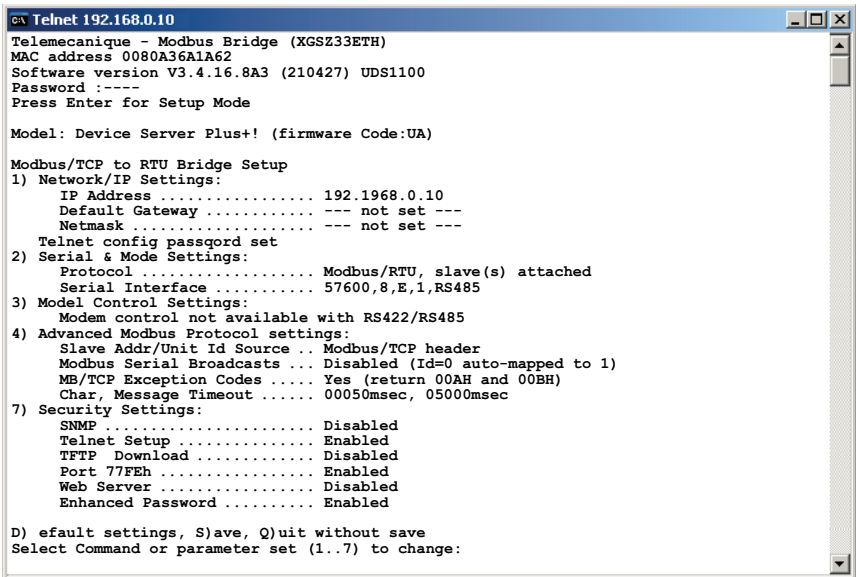
**Le non-respect de ces instructions peut provoquer des blessures ou des dommages matériels.**

- 1 Configurer l'adresse IP du PC sur une adresse compatible avec celle de la boîte (Exemple : Boîte = 192.168.0.10 -> PC = 192.168.0.1)

## Mise en oeuvre logicielle

- 2 Ouvrir une connexion Telnet sur le port 9999, et appuyez sur la touche Entrée dans un délai de trois secondes pour passer en mode de configuration (Setup). Si vous attendez plus de trois secondes, l'unité redémarrera (recommencer la procédure).

Syntaxe	telnet "ADRESSE IP" 9999
Exemple	telnet 192.168.0.10 9999
Résultat	La fenêtre suivante apparait



```
CA Telnet 192.168.0.10
Telemecanique - Modbus Bridge (XGSZ33ETH)
MAC address 0080A36A1A62
Software version V3.4.16.8A3 (210427) UDS1100
Password :----
Press Enter for Setup Mode

Model: Device Server Plus+! (firmware Code:UA)

Modbus/TCP to RTU Bridge Setup
1) Network/IP Settings:
   IP Address ..... 192.1968.0.10
   Default Gateway ..... --- not set ---
   Netmask ..... --- not set ---
Telnet config passqord set
2) Serial & Mode Settings:
   Protocol ..... Modbus/RTU, slave(s) attached
   Serial Interface ..... 57600,8,E,1,RS485
3) Model Control Settings:
   Modem control not available with RS422/RS485
4) Advanced Modbus Protocol settings:
   Slave Addr/Unit Id Source .. Modbus/TCP header
   Modbus Serial Broadcasts ... Disabled (Id=0 auto-mapped to 1)
   MR/TCP Exception Codes .... Yes (return 00AH and 00BH)
   Char, Message Timeout ..... 00050msec, 05000msec
7) Security Settings:
   SNMP ..... Disabled
   Telnet Setup ..... Enabled
   TFTP Download ..... Disabled
   Port 77FEh ..... Enabled
   Web Server ..... Disabled
   Enhanced Password ..... Enabled

D) efault settings, S)ave, Q)uit without save
Select Command or parameter set (1..7) to change:
```

## Mise en oeuvre logicielle

---

- 3 Lors de la première connexion, les utilisateurs sont invités à modifier le mot de passe de l'appareil. (En raison de la loi californienne sur la cybersécurité, tous les appareils avec une adresse IP doivent être protégés par un mot de passe).

```
Telemecanique - Modbus Bridge (XGSZ33ETH)
MAC address 0080A36A1A62
Software version V3.4.16.8A3 (210427) UDS1100
Password :
```

- 4 Configurer les paramètres de la fonction 1) Network / IP settings.

**NOTE :** Sauf le paramètre "Modbus Serial Broadcasts", les fonctions 2) et 4) correspondent à des paramètres qui ne doivent pas être modifiés. En cas d'erreur, revenir à la configuration initiale.

Configuration initiale des paramètres 2 et 4 :

```
2) Serial & Mode Settings:
  Protocol..... Modbus/RTU, Slave(s) attached
  Serial interface ..... 57600,8,E,1,RS485
4) Advanced Modbus Protocol settings:
  Slave addr/unit Id Source..... Modbus/TCP header
  Modbus Serial Broadcasts..... Disabled (Id=0 auto-mapped to 1)
  MB/TCP Exception codes ..... Yes (return 00AH and 00BH)
  Char, Message Timeout..... 00050msec, 05000msec
```

A tout moment, il est possible de reprendre la procédure de configuration au début en réinitialisant la boîte de raccordement (coupure d'alimentation). Le voyant de diagnostic (rouge) est allumé pendant la configuration.

- 5 Reconfigurer l'adresse IP du PC sur une adresse compatible avec celle de la boîte (Exemple : Boîte = 192.168.0.220 -> PC = 192.168.0.1)

### Affectation d'une adresse IP temporaire

# ATTENTION

## FONCTIONNEMENT INATTENDU

Le produit est configuré en usine avec l'adresse IP 192.168.0.10. Cette adresse est réservée aux nouveaux équipements et ne peut être utilisée en exploitation. Si l'adresse IP de la boîte de raccordement est connue (boîte neuve ou boîte déjà configurée dont on veut changer l'adresse), passer directement au paragraphe précédent (voir §).

**Le non-respect de ces instructions peut provoquer des blessures ou des dommages matériels.**

- 1 Trouver l'adresse MAC sur l'étiquette fixée sur un côté de la boîte de raccordement.  
Exemple : 00-20-4A-xx-xx-xx
- 2 À partir d'un PC sous Windows (pour Windows XP: Démarrer / Programmes / Accessoires / Invite de commande), taper une ligne de commande ARP comme suit :

Syntaxe	<code>arp -s "ADRESSE IP" "ADRESSE MAC"</code>
Exemple	<code>arp -s 192.168.0.10 00-20-4a-xx-xx-xx</code>
Résultat	Pas de réponse à cette commande sauf en cas d'anomalie

L'adresse IP indiquée est une adresse temporaire qui permettra ensuite de configurer la boîte selon la procédure indiquée paragraphe 2.2.1. Choisissez de préférence une adresse compatible avec l'adresse IP de votre PC, de façon à éviter de reconfigurer l'adresse IP du PC lors des étapes suivantes. Par exemple, si le PC est configuré avec l'adresse IP 192.168.0.1, vous pouvez choisir l'adresse IP 192.168.0.10.

- 3 Ouvrir une connexion Telnet sur le port 1. La boîte de raccordement modifiera provisoirement son adresse IP pour adopter celle qui sera désignée à cette étape.

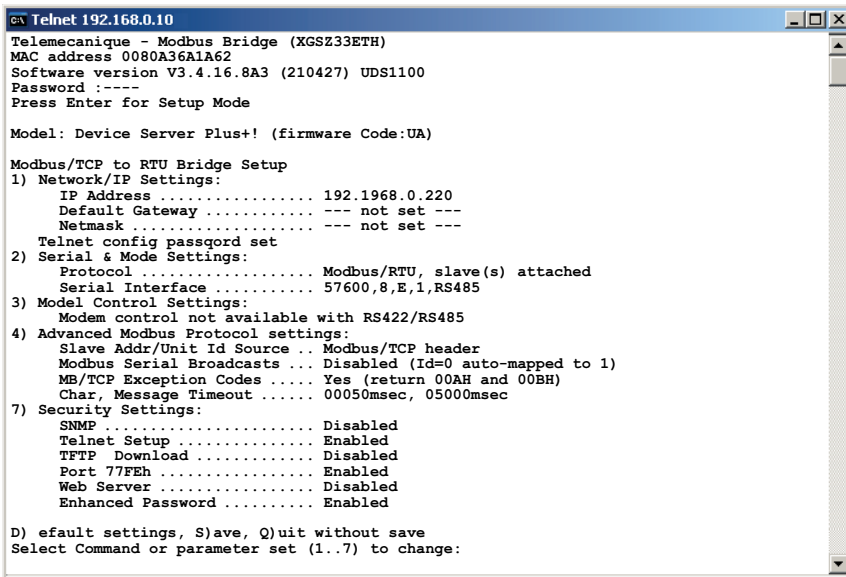
Syntaxe	<code>telnet "ADRESSE IP" 1</code>
Exemple	<code>telnet 192.168.0.10 1</code>
Résultat	<code>Connecting to 192.168.0.10...failed</code>

**Nota :** Ne pas tenir compte du message d'erreur (Connecting.. Failed) qui apparaît lors de l'ouverture d'une connexion Telnet sur le port 1.

## Mise en oeuvre logicielle

- 4 Ouvrir une connexion Telnet sur le port 9999, et appuyez sur la touche Entrée dans un délai de trois secondes pour passer en mode de configuration (Setup). Si vous attendez plus de trois secondes, l'unité redémarrera (recommencer la procédure).

Syntaxe	telnet "ADRESSE IP" 9999
Exemple	telnet 192.168.0.10 9999
Résultat	La fenêtre suivante apparait



```

C:\> Telnet 192.168.0.10
Telemecanique - Modbus Bridge (XGSZ33ETH)
MAC address 0080A36A1A62
Software version V3.4.16.8A3 (210427) UDS1100
Password :----
Press Enter for Setup Mode

Model: Device Server Plus+! (firmware Code:UA)

Modbus/TCP to RTU Bridge Setup
1) Network/IP Settings:
   IP Address ..... 192.1968.0.220
   Default Gateway ..... --- not set ---
   Netmask ..... --- not set ---
Telnet config passqord set
2) Serial & Mode Settings:
   Protocol ..... Modbus/RTU, slave(s) attached
   Serial Interface ..... 57600,8,E,1,RS485
3) Model Control Settings:
   Modem control not available with RS422/RS485
4) Advanced Modbus Protocol settings:
   Slave Addr/Unit Id Source .. Modbus/TCP header
   Modbus Serial Broadcasts ... Disabled (Id=0 auto-mapped to 1)
   MB/TCP Exception Codes .... Yes (return 00AH and 00BH)
   Char, Message Timeout ..... 00050msec, 05000msec
7) Security Settings:
   SNMP ..... Disabled
   Telnet Setup ..... Enabled
   TFTP Download ..... Disabled
   Port 77FEh ..... Enabled
   Web Server ..... Disabled
   Enhanced Password ..... Enabled

D) efault settings, S)ave, Q)uit without save
Select Command or parameter set (1..7) to change:
```

L'adresse IP de la boîte est alors affichée (ici : 192.168.0.220). Pour la changer, suivre la procédure 2.2.1.



# Protocoles Modbus et Ethernet TCP/IP Modbus

---

---

## Généralités

---

### Protocole Modbus

La boîte de raccordement et les stations compactes constituent un réseau Modbus fonctionnant sur le principe client/serveur.

La boîte de raccordement est le client, les stations compactes sont les serveurs.

### Adressage Modbus

Chaque serveur a une adresse propre qui lui permet de savoir que le client s'adresse à lui.

L'espace d'adressage MODBUS est constitué de 256 adresses différentes :

0	1...247	248...255
Adresse de diffusion	Adresses des serveurs	Plage réservée

NB : Avec le protocole Ethernet TCP/IP Modbus, l'adresse 255 est l'adresse du client Modbus.

### Modes d'adressage Modbus

Modbus présente 2 modes d'adressage :

Le mode Unicast :

Dans ce mode, le client adresse un seul serveur. Après réception et traitement de la requête, le serveur renvoie un message de réponse au client.

Une transaction Modbus est donc constituée de 2 messages : la requête du client et la réponse de l'serveur.

Chaque serveur doit avoir une adresse unique (1 à 247). Pour les stations compactes OSITRACK, cette adresse sera comprise entre 1 et 15.

Sur le réseau Modbus, chaque serveur doit avoir une adresse différente.

Pour plus de détails concernant le réglage d'adresse d'une station, se référer au manuel d'utilisation de la station compacte (DIA4ED3051001).

Le mode Broadcast :

Dans le mode Broadcast, le client va envoyer une requête à tous les serveurs, mais contrairement au mode Unicast, ceux-ci ne retourneront aucune réponse. Les requêtes "Broadcast" ne peuvent donc être que des commandes d'écriture. L'adresse 0 est réservée à cet usage.

Attention : Les serveurs ne renvoyant aucune réponse, le seul moyen de s'assurer qu'ils ont tous bien pris en compte la commande est de faire une lecture de vérification serveur par serveur.

## Protocoles Modbus et Ethernet TCP/IP Modbus

Le mode Broadcast est supporté par la boîte XGS Z33ETH, mais n'est pas activé par défaut.

Pour activer le mode Broadcast :

- Ouvrir une connexion Telnet sur le port 9999, et appuyez sur la touche Entrée dans un délai de trois secondes pour passer en mode de configuration (Setup). Si vous attendez plus de trois secondes, l'unité redémarrera (recommencer la procédure).

Syntaxe	telnet "ADRESSE IP" 9999
Exemple	telnet 192.168.0.10 9999
Résultat	La fenêtre suivante apparait

```

c:\ Telnet 192.168.0.10
Telemecanique - Modbus Bridge (XGSZ33ETH)
MAC address 0080A36A1A62
Software version V3.4.16.8A3 (210427) UDS1100
Password :----
Press Enter for Setup Mode

Model: Device Server Plus+! (firmware Code:UA)

Modbus/TCP to RTU Bridge Setup
1) Network/IP Settings:
  IP Address ..... 192.1968.0.10
  Default Gateway ..... --- not set ---
  Netmask ..... --- not set ---
  Telnet config passqord set
2) Serial & Mode Settings:
  Protocol ..... Modbus/RTU, slave(s) attached
  Serial Interface ..... 57600,8,E,1,RS485
3) Model Control Settings:
  Modem control not available with RS422/RS485
4) Advanced Modbus Protocol settings:
  Slave Addr/Unit Id Source .. Modbus/TCP header
  Modbus Serial Broadcasts ... Disabled (Id=0 auto-mapped to 1)
  MB/TCP Exception Codes .... Yes (return 00AH and 00BH)
  Char, Message Timeout ..... 00050msec, 05000msec
7) Security Settings:
  SNMP ..... Disabled
  Telnet Setup ..... Enabled
  TFTP Download ..... Disabled
  Port 77FEh ..... Enabled
  Web Server ..... Disabled
  Enhanced Password ..... Enabled

D) efault settings, S)ave, Q)uit without save
Select Command or parameter set (1..7) to change:

```

Configurer la fonction 4) pour avoir :

**Modbus Serial Broadcasts ... Enabled (Id=1 used as broadcast)**

Pour plus de détails concernant les fonctions Modbus supportées par les stations compactes Ositrack, se référer au manuel d'utilisation des stations (DIA4ED3051001).

# Protocoles Modbus et Ethernet TCP/IP Modbus

## Protocole Ethernet TCP/IP Modbus

Modbus TCP/IP enrobe une trame Modbus à l'intérieur d'une trame TCP/IP.

Le réseau Ethernet est utilisé comme voie d'échange entre la boîte de raccordement et d'autres matériels (automates...).

La boîte de raccordement supporte jusqu'à 8 connexions simultanées. Les requêtes Modbus TCP/IP simultanées sont automatiquement mises en file d'attente vers les stations compactes.

### Requêtes supportées :

On peut distinguer 2 types de requêtes :

- les requêtes adressées aux serveurs,
- les requêtes adressées au client MODBUS, donc à la boîte elle-même.

### Requêtes adressées aux serveurs Modbus

La boîte XGS Z33ETH est transparente vis à vis de ces requêtes : elle extrait la requête Modbus de la trame TCP/IP et l'envoie sur le réseau Modbus. Lorsqu'elle reçoit la réponse de le serveur, elle la retourne au demandeur via Ethernet après l'avoir insérée dans une trame TCP/IP. Toutes les requêtes Modbus sont donc acceptées par la boîte XGS Z33ETH, mais seules les requêtes supportées par les serveurs connectés peuvent être utilisées. Toutes les autres retournent un code d'exception.

Pour plus de détails concernant les fonctions Modbus supportées par les stations Ositrack, se référer au manuel d'utilisation des stations (DIA4ED3051001).

### Requêtes adressées au client Modbus

La boîte XGS Z33ETH supporte uniquement la requête d'identification (fonction 2BH). Cette requête sera utilisée principalement pour lire la version du logiciel de la boîte. Pour paramétrer la boîte vous devez utiliser l'adresse 255.

Requête d'identification 2BH :

Champ	Longueur	Code (H=Hexadécimal)	Remarque
Adresse	1 octet	FFH	Adresse du client
Code fonction	1 octet	2BH	-
MEI	1 octet	0EH	Modbus Encapsulated Interface
Read Device ID Code	1 octet	01H (identification BASIC) 02H (identification REGULAR) 03H (identification EXTENDED)	Lecture du code ID du produit
ID Object	1 octet	00H	-

NB : il existe 3 types d'identification : "Basic", "Regular" et "Extended" . Le type d'identification est sélectionné par la valeur du champ "Read Device ID Code". Les 3 types d'identification sont supportées, mais la réponse fournie est identique pour les 3 types, et correspond au type d'identification "Basic".

## Protocoles Modbus et Ethernet TCP/IP Modbus

Réponse à la requête d'identification 2BH :

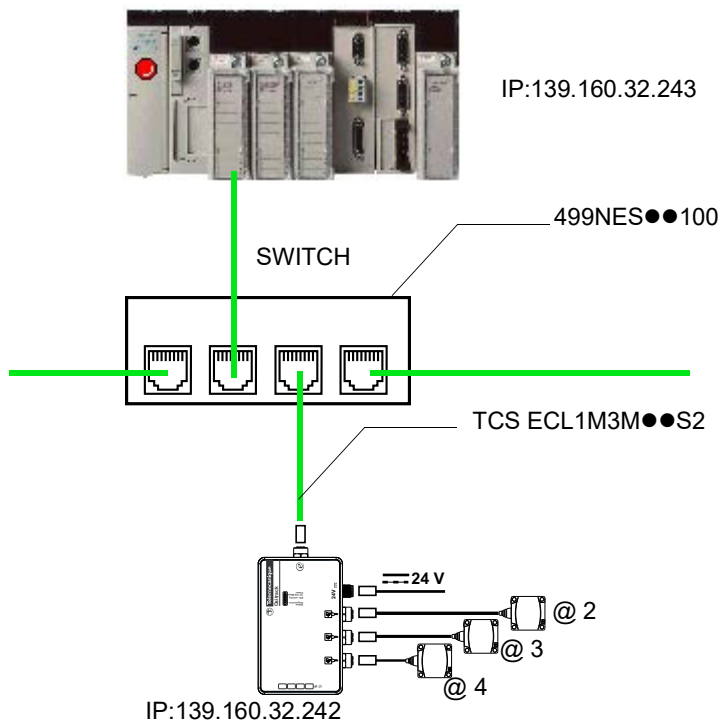
Champ	Longueur	Code (H=Hexadécimal)	Remarque
Adresse	1 octet	FFH	Adresse du client
Code fonction	1 octet	2BH	-
MEI	1 octet	0EH	Modbus Encapsulated Interface
Read Device ID Code	1 octet	01H (identification BASIC) 02H (identification REGULAR) 03H (identification EXTENDED)	Lecture du code ID du produit
Conformity level	1 octet	01H	Identification "BASIC"
More follows	1 octet	00H	Toutes les données demandées sont dans la réponse
ID Objet suivant	1 octet	00H	-
Nombre d'objets	1 octet	03H	-
ID Objet n°1	1 octet	00H	-
Longueur Objet n°1	1 octet	0DH	
Valeur Objet n°1	13 octets	Telemecanique	Nom du fabricant en ASCII
ID Objet n°2	1 octet	01H	-
Longueur Objet n°2	1 octet	09H	
Valeur Objet n° 2	09 octets	XGSZ33ETH	Référence commerciale en ASCII
ID Objet n°3	1 octet	01H	-
Longueur Objet n°3	1 octet	0BH	
Valeur Objet n°3	11 octets	V3.0.16.2B5	Version logiciel de la boîte XGS Z33ETH en ASCII

# Protocoles Modbus et Ethernet TCP/IP Modbus

## Exemples d'application

### Montage

Une boîte de raccordement et un API de type Premium sont connectés à un réseau Ethernet. L'adresse IP de ces deux éléments a été configurée comme suit.

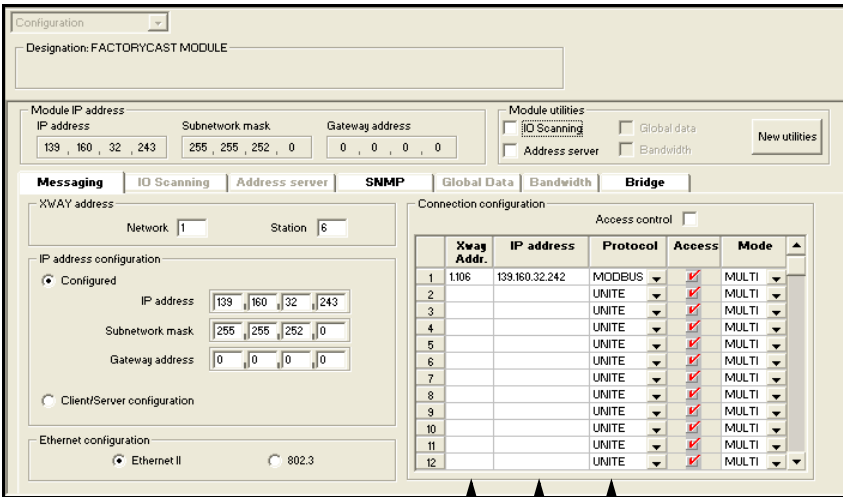


# Protocoles Modbus et Ethernet TCP/IP Modbus

## Configuration matérielle de l'automate avec PL7 PRO (V4.3 ou supérieure)

Pour permettre la communication entre ces deux éléments, il faut renseigner la configuration matérielle de l'API en lui indiquant :

- une adresse XWAY pour la station,
- l'adresse IP de la boîte de raccordement,
- le protocole de la boîte de raccordement.



Adresse XWAY des serveurs

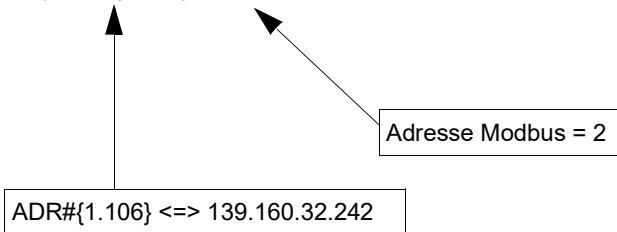
Adresse IP des serveurs

Protocole des serveurs

# Protocoles Modbus et Ethernet TCP/IP Modbus

## Exemple de programmation d'une requête pour la station @ 2

```
(*---- Etape 2 -----*)  
(* Lecture du mot status = test presence badge station @ 2*)  
IF NOT %MW702:X0 THEN  
    %MD1:=16#00008000;(* STATUS *)  
    READ_VAR(ADR#{1.106}0.0.2,'%mw',%MD1,1,%MW800:1,%MW702:4);  
END_IF;
```



Durant la programmation, utiliser l'adresse XWAY pour désigner la station. L'adresse Modbus est à 2.

## Configuration de l'automate avec Unity PRO XL V1.0.1

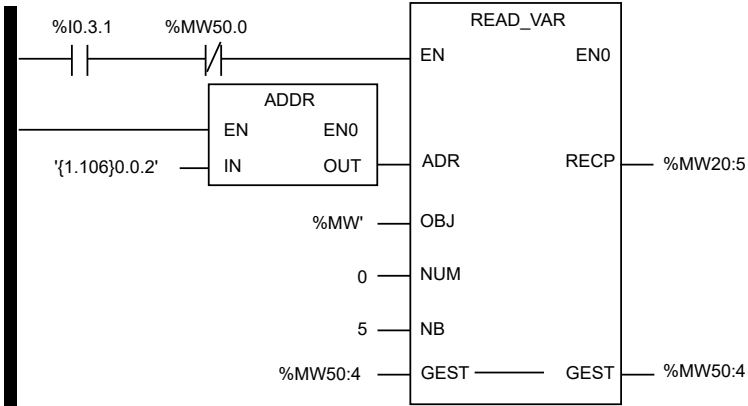
The screenshot shows the configuration interface for Unity PRO XL V1.0.1. The 'Messagerie' tab is active. Under 'Adresse XWAY', 'Réseau' is 0 and 'Station' is 0. The 'Configuration des connexions' section contains a table with columns for 'Adresse XWAY', 'Adresse IP', 'Accès', and 'Mode'. The first row is populated with '1.106', '139.160.32.242', and 'MULTI'. A 'Contrôle d'accès' checkbox is present and unchecked.

	Adresse XWAY	Adresse IP	Accès	Mode
1	1.106	139.160.32.242	✓	MULTI
2			✓	
3			✓	
4			✓	
5			✓	
6			✓	
7			✓	
8			✓	
9			✓	
10			✓	
11			✓	
12			✓	

# Protocoles Modbus et Ethernet TCP/IP Modbus

Lecture de 5 mots dans l'étiquette à partir de mot %MW 0 de l'étiquette dans la station @ 2

## Programmation LADDER



## Programmation en littéral

```

if % I0.3.1 and not Management_buffer[0].0 then
  READ_VAR (adr := ADDR(' (1.106)0.0.2' ),
            OBJ := '%MW',
            NUM := 0,
            NB := 5,
            GEST := Management_buffer,
            RECP => Reception_buffer);
end_if;
    
```

Reception_buffer		ARRAY[0..4] OF INT
Reception_buffer[0]	INT	
Reception_buffer[1]	INT	
Reception_buffer[2]	INT	
Reception_buffer[3]	INT	
Reception_buffer[4]	INT	

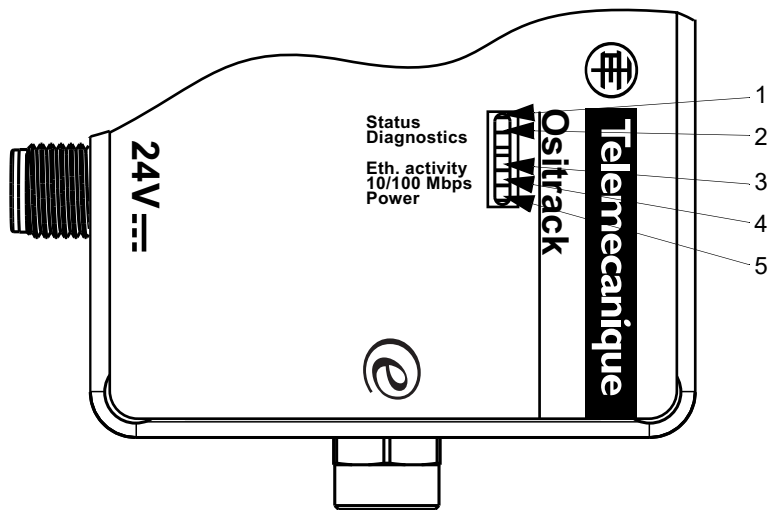
Management_buffer		ARRAY[0..3] OF INT
Management_buffer[0]	INT	
Management_buffer[1]	INT	
Management_buffer[2]	INT	
Management_buffer[3]	INT	



## Diagnostic

### Etat des voyants de diagnostic

La boîte de raccordement comprend 5 voyants qui sont visibles au travers d'une fenêtre du capot :



Voyant	Nom	Couleur
1	Status	Vert
2	Diagnostics	Rouge
3	Activité Eth.	Jaune/Vert
4	Eth 10/100 Mb	Jaune/Vert
5	Alimentation	Vert

## Diagnostic

---

La boîte de raccordement a les voyants suivants, qui aident à diagnostiquer les problèmes :

- Status (vert)
- Diagnostic (rouge)
- Activité Ethernet (Jaune = "Half Duplex"/vert = "Full Duplex")
- Ethernet 10/100 (Jaune = 10 Mb/vert = 100 Mb)
- Alimentation (vert)

Si le voyant diagnostic (rouge) est allumé en même temps que le voyant Status (vert), cela signale un problème. Si le voyant rouge est allumé (en fixe ou en clignotant), comptez le nombre de clignotements du voyant vert entre les pauses. Le tableau suivant explique les fonctions des voyants :

Condition	Voyant Diagnostic	Channel 1 - Voyant Status
Pas d'erreurs	OFF	N/A
Erreur du contrôleur de réseau	ON	Clignote 3x/4 secondes
Stockage du numéro de série Erreur de contrôle	ON	Clignote 4x/4 secondes
Adresse IP en double sur le réseau	ON	Clignote 5x/4 secondes
Pas de réponse du serveur DHCP	Clignote 2x/ seconde	Clignote 5x/4 secondes
Menu Setup activé	Clignote 2x/ seconde	Suit le voyant Diagnostic durant 2 secondes, éteinte durant 2 secondes

## Diagnostic

### Diagnostic durant l'adressage Ethernet

PROBLÈME/ MESSAGE	CAUSE	SOLUTION
Lorsque vous envoyez la <b>commande ARP -S</b> , le message " <b>The ARP entry addition failed : 5</b> " (Échec lors de l'ajout d'une entrée dans la table ARP) s'affiche.	Vous avez ouvert une session avec un identifiant qui ne vous donne pas les droits d'utilisation de cette commande sur ce PC.	Ouvrez une nouvelle session avec les droits d'utilisateur nécessaires.
Vous tentez d'affecter une adresse IP à la boîte de raccordement à l'aide de la méthode <b>ARP</b> , mais le message d'erreur " <b>Press Enter to go into Setup Mode</b> " s'affiche. Lorsque vous tentez à nouveau de vous connecter par Telnet à l'unité, vous êtes déconnecté.	Lors d'une connexion par Telnet au port 1 de la boîte de raccordement, l'adresse IP que vous indiquez est provisoire. Lors d'une connexion par Telnet au port 9999, vous devez appuyer sur la touche Entrée rapidement, faute de quoi l'unité redémarre, ce qui provoque la perte de l'adresse IP.	Établissez une nouvelle connexion par Telnet sur le port 1. Attendez l'échec de connexion, puis établissez une nouvelle connexion par Telnet sur le port 9999, et veillez à appuyer sur la touche Entrée rapidement.
Lorsque vous vous connectez par <b>Telnet</b> sur le <b>port 9999</b> , le message "Press Enter to go into Setup Mode" s'affiche, mais rien ne se produit lorsque vous appuyez sur la touche Entrée, ou bien la connexion est interrompue. Lorsque vous vous connectez.	Vous n'avez pas appuyé assez rapidement sur la touche Entrée. Vous ne disposez que de 3 secondes pour appuyer sur Entrée avant la déconnexion.	Établissez une nouvelle connexion par Telnet sur le port 9999, mais appuyez sur la touche Entrée dès que le message «Press Enter to go into Setup Mode» s'affiche.

PROBLÈME/ MESSAGE	CAUSE	SOLUTION
<p>Lorsque vous vous connectez par Telnet sur le port 1 pour affecter une adresse IP à la boîte de raccordement, <b>la fenêtre Telnet ne réagit plus.</b></p>	<p>Il est possible que vous ayez indiqué une adresse Ethernet incorrecte à l'aide de la commande ARP.</p>	<p>Vérifiez que l'adresse Ethernet que vous avez indiquée à l'aide de la commande ARP est correcte. Une adresse Ethernet ne doit comporter que des chiffres de 0 à 9 et des lettres de A à F. Sous Windows et, en général, sous Unix, les segments de l'adresse Ethernet sont séparés par des points. Dans certaines variantes d'Unix, les segments de l'adresse Ethernet sont séparés par des signes " : ".</p>
	<p>L'adresse IP que vous tentez d'affecter ne figure pas dans votre sous-réseau logique.</p>	<p>Vérifiez que votre PC dispose d'une adresse IP et que celle-ci se trouve sur le même sous-réseau logique que l'adresse que vous tentez d'affecter à l'unité.</p>
	<p>La boîte de raccordement n'est peut-être pas connectée correctement au réseau.</p>	<p>Vérifiez que le voyant témoin de liaison est allumé. Si ce voyant n'est pas allumé en fixe, cela signifie que la liaison physique avec le réseau est défectueuse.</p>
<p>Un test "Ping" de la boîte de raccordement renvoie une réponse, mais il est <b>impossible de se connecter par Telnet sur le port 9999.</b></p>	<p>Un conflit d'adresses IP sur le réseau est possible.</p>	<p>Éteignez la boîte de raccordement et tapez la commande suivante à l'invite du DOS sur votre ordinateur :</p> <pre>ARP -D X.X.X.X PING X.X.X.X</pre> <p>(où X.X.X.X est l'adresse IP de la boîte de raccordement).</p> <p>Si vous obtenez une réponse, il existe une adresse IP en double sur le réseau (la séquence de clignotement des voyants de la boîte de raccordement devrait vous le confirmer).</p>

### Adresse Ethernet (MAC)

Une boîte de raccordement est identifiée par son adresse MAC, codée sur 6 octets.

Les trois premiers octets sont fixes, ils identifient le constructeur.

Les trois suivants sont des valeurs uniques affectées à chaque boîte de raccordement.

Cette adresse est fixe et ne peut pas être modifiée. Elle est visible sur l'étiquette collée sur le coté de la boîte.

### Adresse IP

Tous les équipements connectés à un réseau Ethernet doivent posséder une adresse IP unique. Cette adresse permet de faire référence à une unité spécifique.

### ARP et Telnet

L'adresse IP est affectée **manuellement**, à l'aide d'un utilitaire en ligne de commande (sous UNIX ou sous Windows) qui permet aussi de configurer les paramètres réseau. Une seule personne à la fois peut être connectée au port de configuration (port 9999). Cette précaution élimine tout risque de tentative de configuration de l'unité par plusieurs personnes.

### Auto IP

Cette méthode **automatique** est conseillée dans le cas d'un petit groupe d'hôtes, au lieu d'un réseau important. Elle permet aux hôtes de négocier les adresses entre eux et de les affecter en conséquence, en créant de ce fait un réseau de petite taille.

### DHCP

Le serveur DHCP affecte **automatiquement** l'adresse IP et assure la configuration réseau. L'adresse IP sera différente à chaque reconnexion au réseau ou redémarrage.

### Masque de sous-réseau

Le masque de sous-réseau définit une plage d'adresses IP accessibles depuis un matériel.

### Numéro de port

Toutes les connexions en TCP et tous les datagrammes UDP sont définis par une adresse IP de destination et un numéro de port. Par exemple, une application Telnet utilise en général le port 23. Un numéro de port est similaire à la dernière partie d'un numéro de téléphone pour un commutateur de réseau téléphonique public.

Le canal sériel de l'unité (son port) peut être associé à un numéro de port TCP/UDP particulier. Le numéro de port 9999 est réservé à l'accès à la fenêtre de configuration de l'unité.

### UDP

User Datagram Protocol.

Ce protocole est utilisé principalement pour la diffusion générale sous TCP/IP.

## Glossaire

---

---



