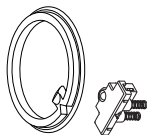


LED illumination module for rotary dimmers (white)

Operating instructions



Art. no. MTN5300-0002

Getting to know the LED illumination module

The LED illumination module creates a subtle halo of light around the rotary knob when the dimmer is switched off.



With light central plates, the illumination module has a higher luminosity than with dark central plates.



Dispose of the device separately from household waste at an official collection point. Professional recycling protects people and the environment against potential negative effects.

For your safety



DANGER

Risk of serious damage to property and personal injury, e.g. from fire or electric shock, due to incorrect electrical installation.

Safe electrical installation can only be ensured if the person in question can prove basic knowledge in the following areas:

- Connecting to installation networks
- Connecting several electrical devices
- Laying electric cables

These skills and experience are normally only possessed by skilled professionals who are trained in the field of electrical installation technology. If these minimum requirements are not met or are disregarded in any way, you will be solely liable for any damage to property or personal injury.



DANGER

Risk of death from electric shock.

However the device is turned off there might be full voltage at the output. Always turn the device in the status of voltage free before starting with work.

Schneider Electric Industries SAS

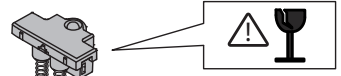
If you have technical questions, please contact the Customer Care Centre in your country.

schneider-electric.com/contact

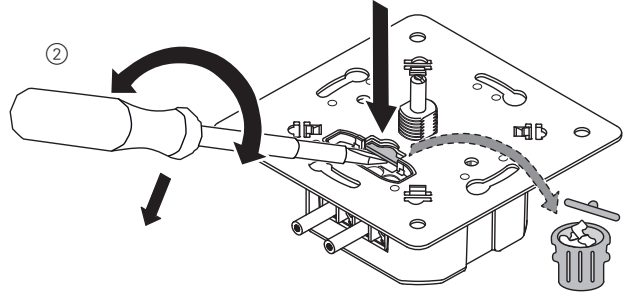
①



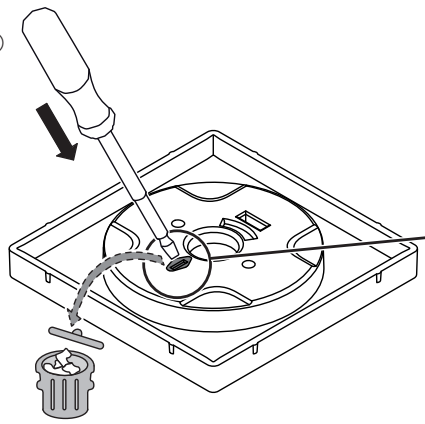
③



②



④



⑤

