

Pilot devices

Modular joysticks MJS

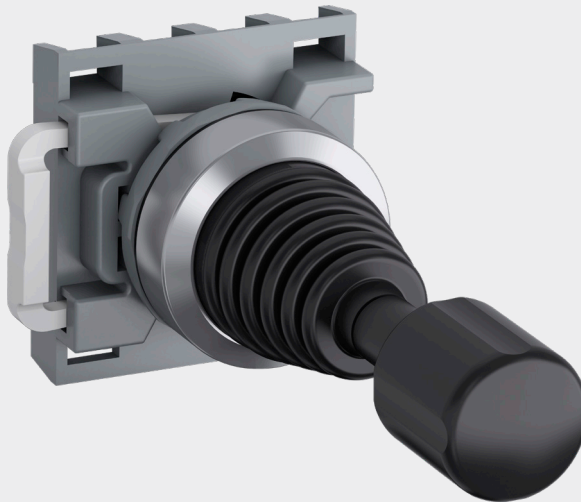


ABB pilot devices are engineered for total reliability. Our products are tested to extremes and proven in the toughest environments. Their innovative designs simplify the entire process, from selection to installation.

The modular joysticks MJS are our most versatile range with high level of flexibility and market leading electrical ratings. Engineered for total reliability, longer lifetime, and highest mechanical durability. Self-cleaning contacts ensure reliable operation without the need for maintenance, increasing uptime. High degree of protection guarantee reliability in extreme environments. The innovative design simplifies the entire process, from selection to easy and quick, tool-free installation. The perfect solution for every application.

Product conformity & compliance

REACH (Regulation EC 1907/2006)

ABB pilot devices and related accessories were classified as articles and, during normal and reasonably foreseeable conditions of use, do not intentionally release any substance or preparation. ABB continuously undertakes communications throughout its supply chain in order to collect information about suppliers' compliance with REACH regulation.

SVHC (Regulation EC 1907/2006 REACH)

ABB continuously assesses its products for content of Substances of Very High Concern (SVHC), as included in the "Candidate List" by the European Chemicals Agency (ECHA). According to our best knowledge, ABB pilot devices and related accessories do not contain SVHC substances exceeding 0.1 % w/w.

RoHS II

ABB pilot devices and related accessories are within the scope of directive 2011/65/EU (RoHS II) and amendment 2015/863, starting from July 22 2019.

Product safety

Compliance with essential health and safety requirements has been assured by compliance with the applicable product and safety standards.

The validation according to the product and safety standards is carried out by third party tests laboratory (Intertek Semko) in respect of the EN ISO/IEC 17025 European standard, according to IECCE CB scheme. CB certificate has been issued.

Standards:

- UL508
- CSA C22.2 No.14
- IEC/EN60947-1
- IEC/EN60947-5-1
- IEC/EN 60073
- IEC/EN 60529

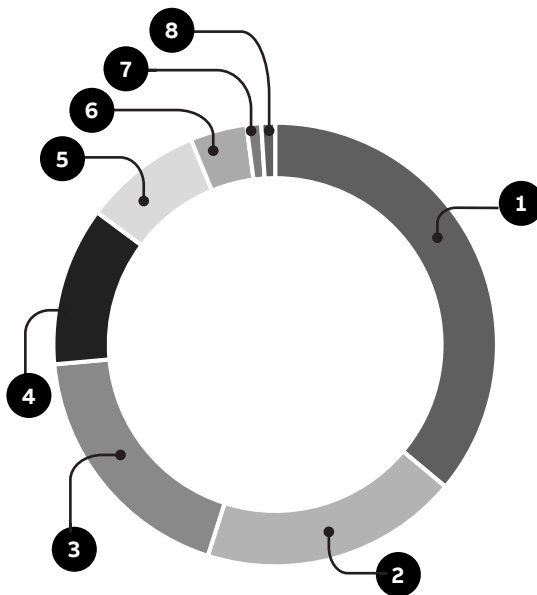
Directives:

- Low Voltage Directive No. 2014/35/EU

Material declaration

The charts below show the constituents of MJS1-60B which represent the range of the modular joysticks MJS. The constituent materials are distributed as follows.

MJS1-60B. The total weight of the product is 50.67 gr.

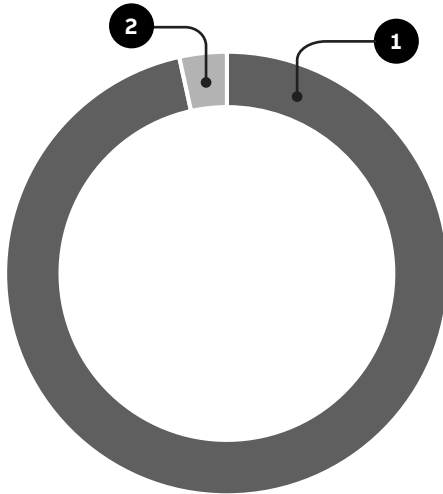


Material	% wt
1 PA	36.1 %
2 Chromium alloys	18.8 %
3 Brass	18.7 %
4 PC	11.6 %
5 POM	8.6 %
6 Silicon	4.1 %
7 NBR	1.1 %
8 Stainless steel	1.0 %
TOTAL	100 %

Packaging

The charts below provide information for each packaging material used. The cardboard and the paper used for the product material are made of recycled fibers and are 100 % recyclables. The polymer films used are marked with the proper identification code and are recyclable.

MJS1-10B Packaging material composition: total weight = 2 gr.



Material	%
1 Polymers	97 %
2 Paper	3 %
TOTAL	100 %

End-of-life

At the end of operating life, constituent components of ABB pilot devices have been optimized in order to reduce waste amount and increase recovery of the material. Metals and polymers contained into ABB pilot devices are characterized by high recycling rates. Most plastic parts are marked for easy sorting.

