






Door-coupling rotary operating mechanism for harsh conditions For circuit breaker Size S00/S0 Handle gray

product brand name	SIRIUS
product category	Operating mechanisms
product designation	door-coupling rotary operating mechanism for heavy-duty operating conditions
design of the product	standard
suitability for use	circuit-breakers S0
General technical data	
size of the circuit-breaker	S0
product feature can be locked into OFF position	Yes
Actuator	
product feature interlock	Yes
color of the actuating element	gray
Installation/ mounting/ dimensions	
mounting position	any
fastening method	screw fixing

Approvals Certificates

General Product Approval	Test Certificates
 EG-Konf.	Confirmation
 UL	
	Special Test Certificate
	Type Test Certificates/Test Report

Marine / Shipping	other
 ABS	 BUREAU VERITAS
 DNV	Miscellaneous
	Confirmation
	 VDE

Environment

 EPD	Environmental Confirmations
--	---

Further information

Information on the packaging
<https://support.industry.siemens.com/cs/ww/en/view/109813875>
 Information- and Downloadcenter (Catalogs, Brochures,...)

<https://www.siemens.com/ic10>

Industry Mall (Online ordering system)

<https://mall.industry.siemens.com/mall/en/en/Catalog/product?mlfb=3RV2926-3B>

Cax online generator

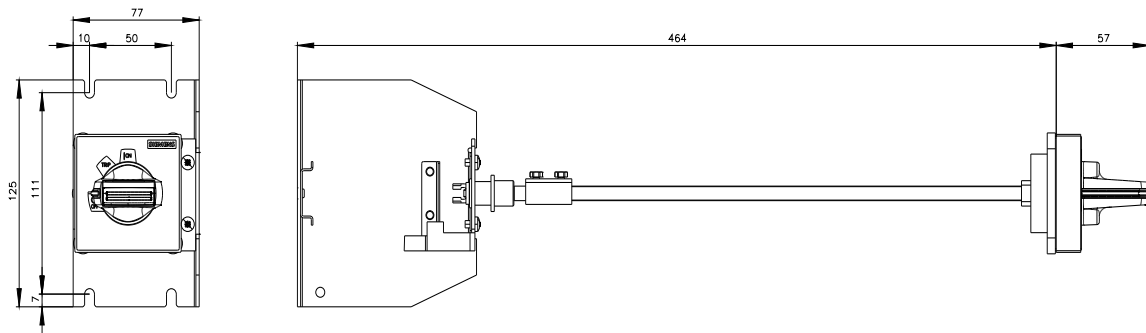
<http://support.automation.siemens.com/WW/CAXorder/default.aspx?lang=en&mlfb=3RV2926-3B>

Service&Support (Manuals, Certificates, Characteristics, FAQs,...)

<https://support.industry.siemens.com/cs/ww/en/ps/3RV2926-3B>

Image database (product images, 2D dimension drawings, 3D models, device circuit diagrams, EPLAN macros, ...)

http://www.automation.siemens.com/bilddb/cax_de.aspx?mlfb=3RV2926-3B&lang=en



last modified:

1/10/2024 