



Pipe adapter, for mounting on pipes, black, accessories for built-in lamps, with diameter 70 mm

General technical data		
product designation	Adapter for pipe mounting	
reference code according to IEC 81346-2	U	
material	PA	
color	black	
Mechanical data		
outer diameter of the signal column element	57 mm	
Ambient conditions		
ambient temperature during operation	-20 ... +50 °C	
height	58 mm	
width	57 mm	
Certificates/ approvals		
General Product Approval	EMV	other



[Confirmation](#)



[Confirmation](#)

Further information

Information on the packaging

<https://support.industry.siemens.com/cs/ww/en/view/109813875>

Information- and Downloadcenter (Catalogs, Brochures,...)

<https://www.siemens.com/ic10>

Industry Mall (Online ordering system)

<https://mall.industry.siemens.com/mall/en/en/Catalog/product?mlfb=8WD5308-0EG>

Cax online generator

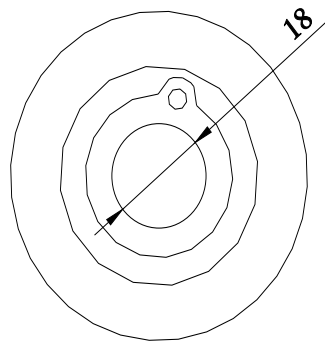
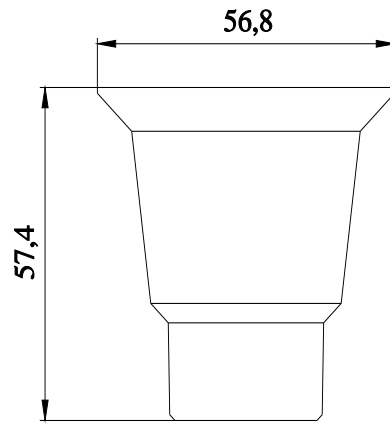
<http://support.automation.siemens.com/WW/CAXorder/default.aspx?lang=en&mlfb=8WD5308-0EG>

Service&Support (Manuals, Certificates, Characteristics, FAQs,...)

<https://support.industry.siemens.com/cs/ww/en/ps/8WD5308-0EG>

Image database (product images, 2D dimension drawings, 3D models, device circuit diagrams, EPLAN macros, ...)

http://www.automation.siemens.com/bilddb/cax_de.aspx?mlfb=8WD5308-0EG&lang=en



last modified:

12/23/2020 