

Handle coupler for residual current miniature circuit breaker D=70 mm for mounting additional components (1 set=5 units in poly bag)



Model	
product brand name	SENTRON
product designation	Handle coupler
design of the product	For RCCB D=70 mm for fitting additional components (1 set=5 units in poly bag)
design of the locking device against switching off	No
design of the locking device against restart	No
product feature sealable	No
Mechanical Design	
depth	70 mm
net weight	5.4 g
Approvals Certificates	
General Product Approval	other



[Confirmation](#)

[Miscellaneous](#)

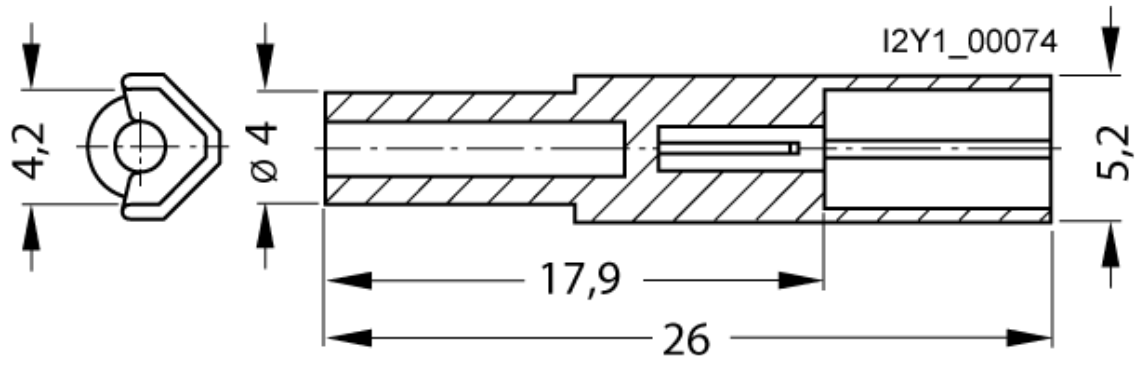


[Confirmation](#)

other	Environment
Miscellaneous	Environmental Confirmations
	Environmental Confirmations

Further information

Information on the packaging
<https://support.industry.siemens.com/cs/ww/en/view/109813875>
 Information- and Downloadcenter (Catalogs, Brochures,...)
<http://www.siemens.com/lowvoltage/catalogs>
 Industry Mall (Online ordering system)
<https://mall.industry.siemens.com/mall/en/en/Catalog/product?mlfb=5ST3805-1>
 Service&Support (Manuals, Certificates, Characteristics, FAQs,...)
<https://support.industry.siemens.com/cs/ww/en/ps/5ST3805-1>
 Image database (product images, 2D dimension drawings, 3D models, device circuit diagrams, ...)
http://www.automation.siemens.com/bilddb/cax_en.aspx?mlfb=5ST3805-1
 CAx-Online-Generator
<http://www.siemens.com/cax>
 Tender specifications
<http://www.siemens.com/specifications>



last modified:

12/20/2020 

