

Adapter + screw for compensation Installation depth for metal switches for twist lever adjustable-length and rod lever 3SE51 if required for converting from 3SE21 (3SE21.0-UW/VW/WW/UV/W) to 3SE51



General technical data		
product brand name	SIRIUS	
product designation	Adapter for offsetting the overall depth for metal switches	
Certificates/ approvals		
General Product Approval	other	Environment

[Confirmation](#)



[Confirmation](#)

[Environmental Confirmations](#)

Further information

Information on the packaging

<https://support.industry.siemens.com/cs/ww/en/view/109813875>

Information- and Downloadcenter (Catalogs, Brochures,...)

<https://www.siemens.com/ic10>

Industry Mall (Online ordering system)

<https://mall.industry.siemens.com/mall/en/en/Catalog/product?mlfb=3SX5100-3B>

Cax online generator

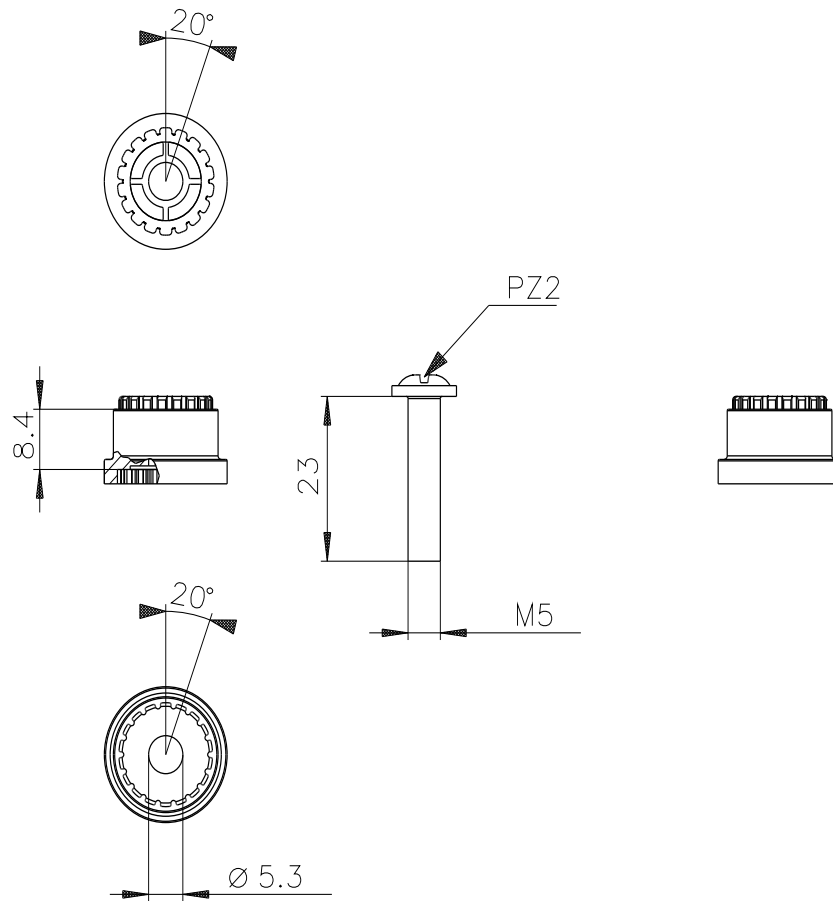
<http://support.automation.siemens.com/WW/CAXorder/default.aspx?lang=en&mlfb=3SX5100-3B>

Service&Support (Manuals, Certificates, Characteristics, FAQs,...)

<https://support.industry.siemens.com/cs/ww/en/ps/3SX5100-3B>

Image database (product images, 2D dimension drawings, 3D models, device circuit diagrams, EPLAN macros, ...)

http://www.automation.siemens.com/bilddb/cax_de.aspx?mlfb=3SX5100-3B&lang=en



last modified:

12/21/2020 