



Socket insert Han Q4/2 5 contact sockets 6 mm², 2 auxiliary contacts 0.5 mm² pin 11+12 Connector set power supply for connection to MS, RSM of ET200pro, M200D Sleeve housing angled Outgoing unit including screw connection

product brand name	SIRIUS
product designation	Power connector
connector type	Socket
type of cable outlet	angled
number of poles	6
protection class IP	IP65

Further information

Information on the packaging

<https://support.industry.siemens.com/cs/ww/en/view/109813875>

Information- and Downloadcenter (Catalogs, Brochures,...)

<https://www.siemens.com/ic10>

Industry Mall (Online ordering system)

<https://mall.industry.siemens.com/mall/en/en/Catalog/product?mlfb=3RK1911-2BE30>

Cax online generator

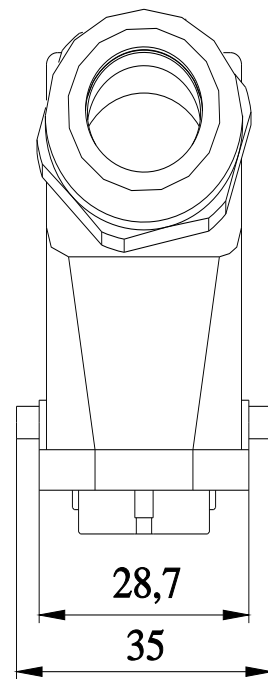
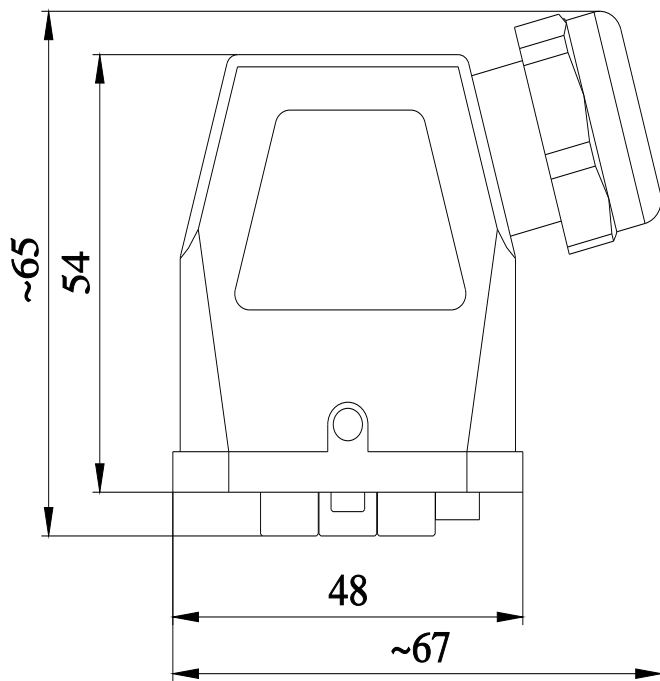
<http://support.automation.siemens.com/WW/CAXorder/default.aspx?lang=en&mlfb=3RK1911-2BE30>

Service&Support (Manuals, Certificates, Characteristics, FAQs,...)

<https://support.industry.siemens.com/cs/ww/en/ps/3RK1911-2BE30>

Image database (product images, 2D dimension drawings, 3D models, device circuit diagrams, EPLAN macros, ...)

http://www.automation.siemens.com/bilddb/cax_de.aspx?mlfb=3RK1911-2BE30&lang=en



last modified:

12/23/2020 