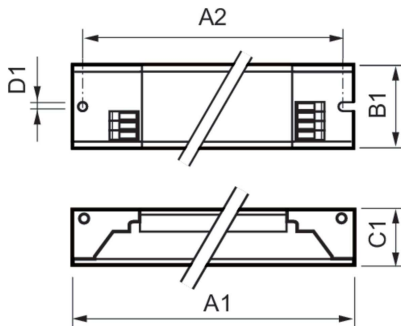


HF-PERFORMER III TL5

| | |
|--|---|
| Levensduur T-behuizing (nom.) | 80 °C |
| T-behuizing maximaal (max.) | 80 °C |
| Eigenschappen behuizing en afmetingen | |
| Behuizing | L 360x30x21 |
| Keurmerken en classificaties | |
| Beschermingsklasse | IP 20 [Bescherming tegen vingers] |
| Energierendement-index | A2 BAT |
| Veiligheidsnorm | IEC 61347-2-3 |
| Milieunorm | ISO 14001 |
| Keurmerken | CE-markering ENEC-certificaat VDE- EMV-certificaat |

| | |
|----------------------------------|---------------------------------------|
| Productgegevens | |
| Productnaam voor bestelling | HF-P 2 24/39 TL5 III 220-240V 50/60Hz |
| Volledige productnaam | HF-P 2 24/39 TL5 III 220-240V 50/60Hz |
| Full EOC | 872790095226100 |
| Bestelcode | 8727900952261 |
| Materiaalnr. (12NC) | 913713034166 |
| Lokale code | HFP22439TL5III |
| Numerator - Aantal per pak | 1 |
| EAN/UPC - product/behuizing | 8727900952261 |
| Numerator - Dozen per buitendoos | 12 |
| EAN/UPC - Case | 8727900952278 |

Maatschets



| Product | D1 | C1 | A1 | A2 | B1 |
|--|--------|---------|----------|----------|---------|
| HF-P 2 24/39 TL5 III 220-240V 50/60Hz | 4,2 mm | 21,0 mm | 360,0 mm | 350,0 mm | 30,0 mm |

