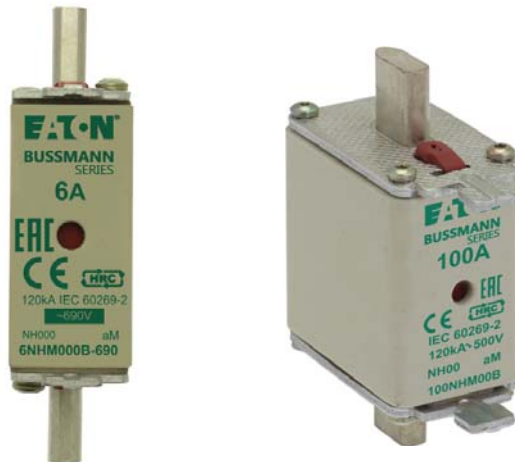


500 and 690 V a.c. aM NH fuse links



Product description

Eaton's Bussmann® series NH 500 and 690 Volts, class aM, industrial fuse links are suitable for a wide variety of motor protection applications.

Standard features

- Reliable dual indicator system
- Low watts loss
- Globally compliant
- Compatible with Eaton's Bussmann series NH bases and fuse gear

Catalogue symbol

- 500 Volts: (amp)NHM(size)B
- 690 Volts (amp)NHM(size)B-690

Fuse size

- 000 to 3

Technical data

- Rated voltage: 500 and 690 V a.c.
- Rated current: 6 to 500 A
- Breaking capacity: 120 kA
- Operating frequency: 45-60 Hz
- Class of operation: aM

Standard/Approvals

- IEC 60269-2
- DIN 43620 part 1 and 3

Optional microswitches

NH Fuse body size	Suitable microswitch
Size 000	170H0236
Size 00	170H0236
Size 1	170H0236
Size 2	170H0235 or 170H0236
Size 3	170H0235

Fuse holders and fuse gear (ordered separately)

Description	Type	Data sheet number
Fuse bases 1-pole	DIN-Rail mounting SD-D	10163
	Screw mounting SD-S	10163
Fuse bases 3-pole	DIN-Rail mounting TD-D	10163
Fuse bases accessories	IP20, Shroud and phase barriers kits	10163
Fuse rails	Vertical - EBF	10240
Fuse switch disconnectors	Vertical - EBV	10275
	Horizontal - EBH Size 000	10292
	Horizontal - EBH Size 00 to 4	10293

Packaging

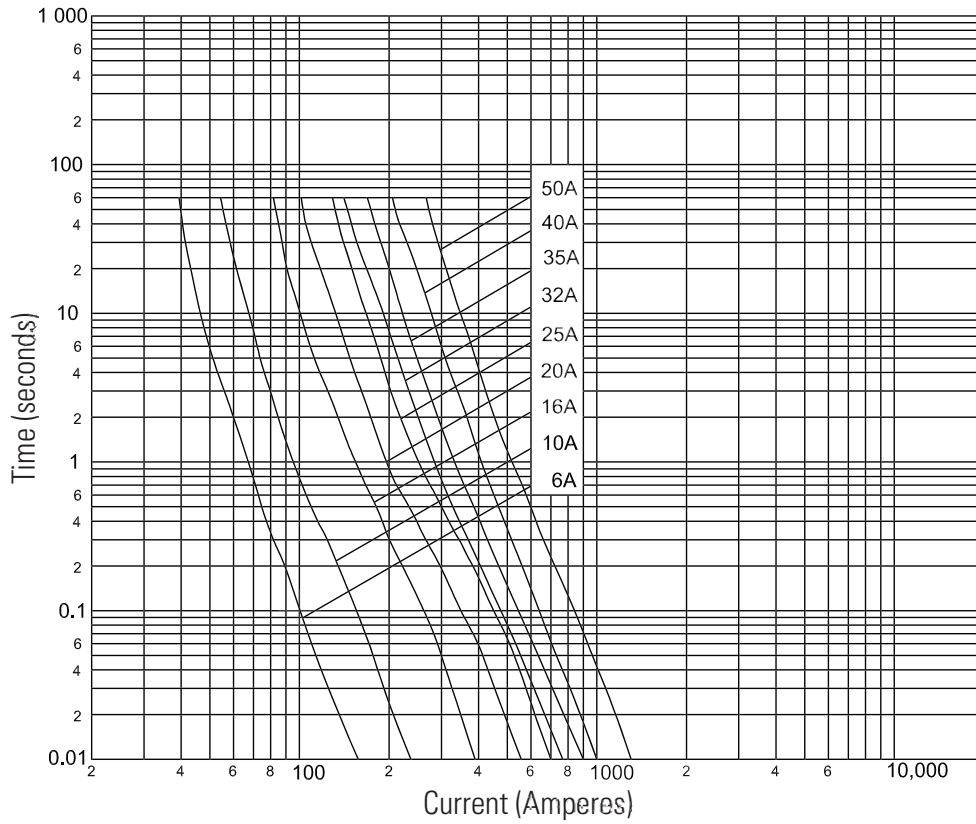
- MOQ: 3

500 and 690 V a.c. aM NH fuse links

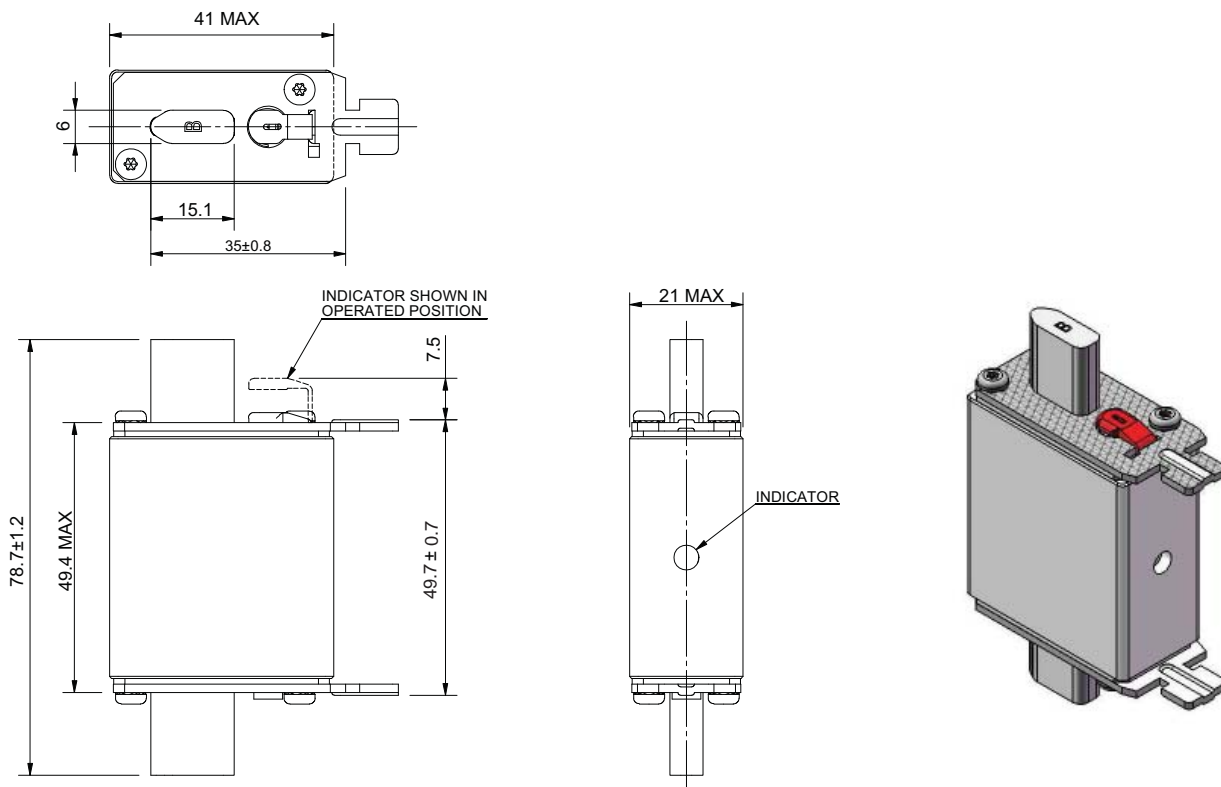
Catalogue numbers

Size	Current (Amps)	500 V a.c. class aM	690 V a.c. class aM	I ² t (Amps ² Seconds)		Watts loss (W)	Net weight per fuse (kg)	Pack Quantity
		Voltage conducting metal gripping lugs	Voltage conducting metal gripping lugs	Minimum pre-arcing	Total at 690 V a.c.			
000	6	6NHM000B	6NHM000B-690	48	650	0.3	0.118	3
	10	10NHM000B	10NHM000B-690	200	1800	0.5		
	16	16NHM000B	16NHM000B-690	500	4400	0.8		
	20	20NHM000B	20NHM000B-690	1450	7250	0.9		
	25	25NHM000B	25NHM000B-690	3500	13500	1.1		
	32	32NHM000B	32NHM000B-690	2200	7500	2.1		
	35	35NHM000B	35NHM000B-690	3000	12,000	2.1		
	40	40NHM000B	40NHM000B-690	4700	14,500	2.3		
00	50	50NHM000B	50NHM000B-690	11,000	27,000	2.7	0.186	3
	63	63NHM00B	63NHM00B-690	16,000	52,000	3.1		
	80	80NHM00B	80NHM00B-690	24,000	69,500	4.3		
1	100	100NHM00B	100NHM00B-690	35,000	110,000	4.5	0.380	3
	50	50NHM1B	50NHM1B-690	10,000	39,500	3		
	63	63NHM1B	63NHM1B-690	12,500	49,500	4.4		
	80	80NHM1B	80NHM1B-690	19,500	77,500	5.6		
	100	100NHM1B	100NHM1B-690	33,000	105,000	6.7		
	125	125NHM1B	125NHM1B-690	49,500	170,000	8.8		
2	160	160NHM1B	160NHM1B-690	110,000	315,000	10.6	0.615	3
	125	125NHM2B	125NHM2B-690	56,500	215,000	9.7		
	160	160NHM2B	160NHM2B-690	120,000	510,000	11		
	200	200NHM2B	200NHM2B-690	175,000	730,000	14		
	224	224NHM2B	224NHM2B-690	255,000	1,050,000	15		
	250	250NHM2B	250NHM2B-690	300,000	1,280,000	17		
	315*	315NHM2B*	315NHM2B-690*	510,000	1,150,000	23		
355*	355NHM2B*	355NHM2B-690*	570,000	1,300,000	28			
3	315	315NHM3B	315NHM3B-690	480,000	1,600,000	20	1.050	3
	355	355NHM3B	355NHM3B-690	500,000	1,300,000	27		
	400	400NHM3B	400NHM3B-690	680,000	2,000,000	28		
	500	500NHM3B	500NHM3B-690	1,050,000	2,800,000	36		

NH Size 000 - Time current curve

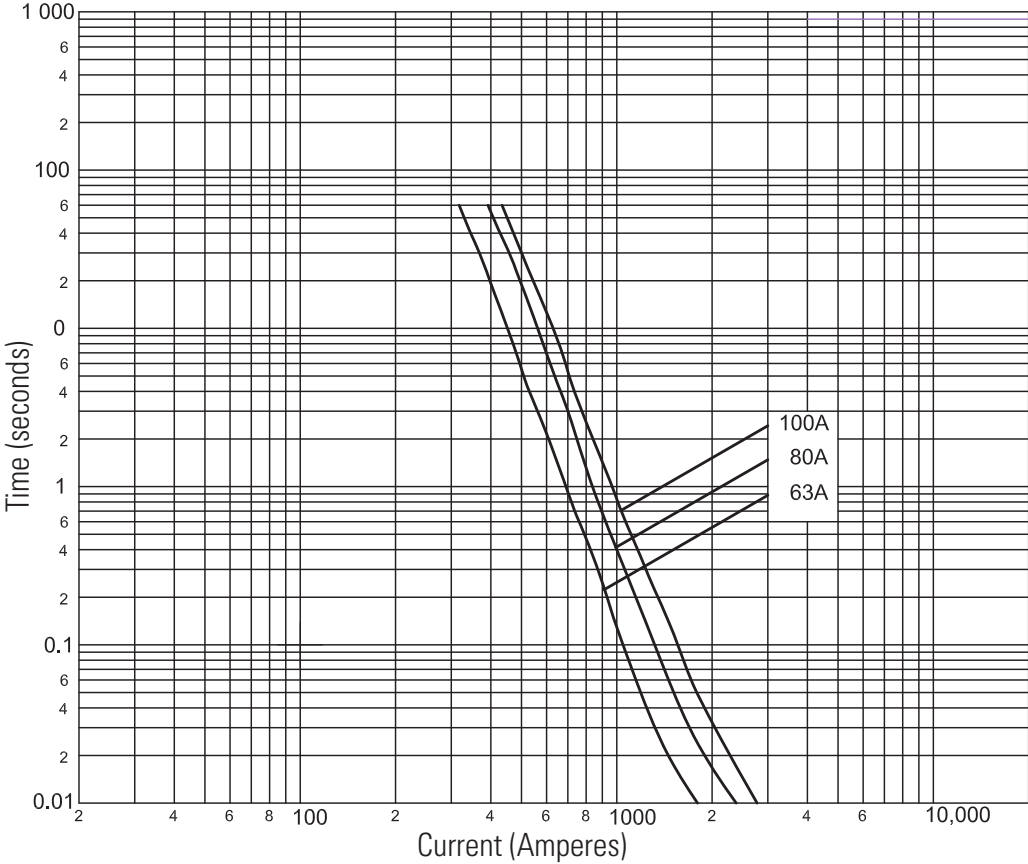


NH Size 000 - Dimensions

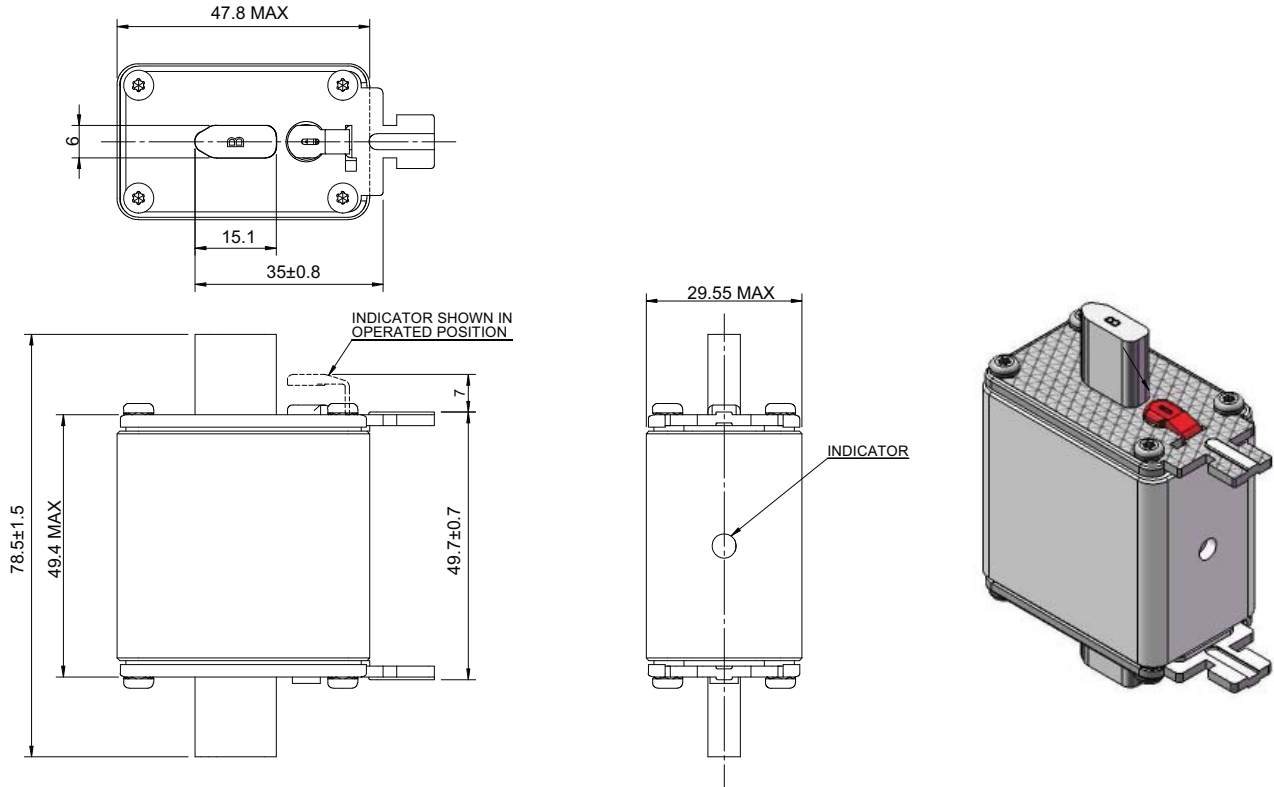


500 and 690 V a.c. aM NH fuse links

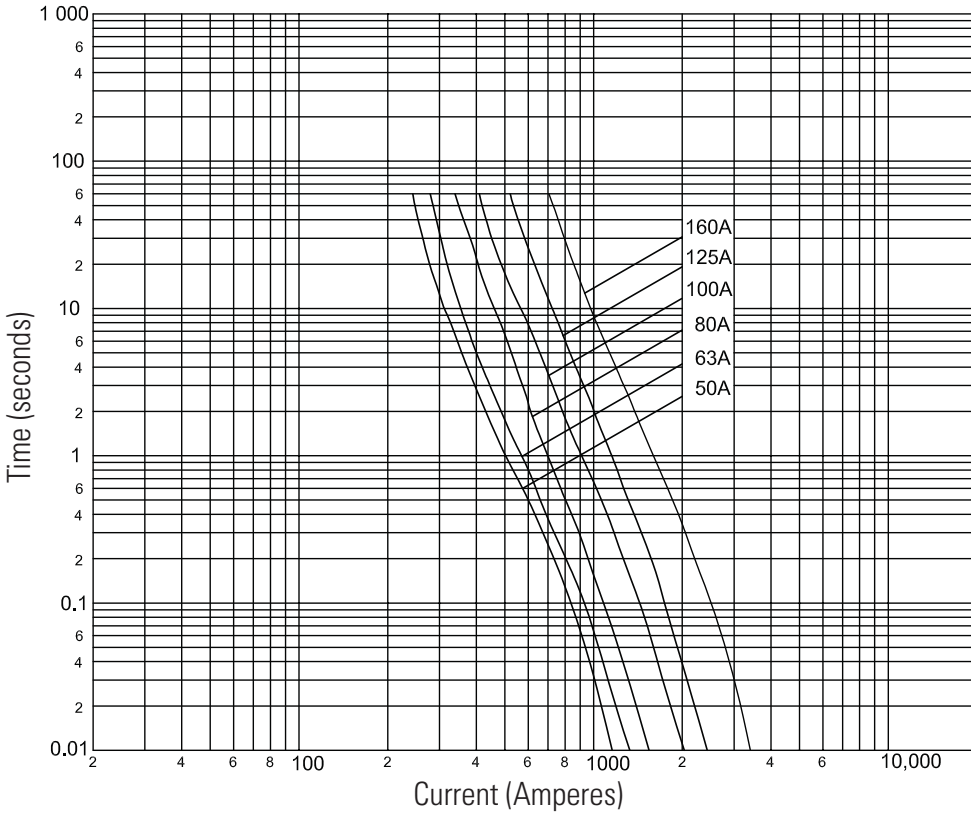
NH Size 00 - Time current curve



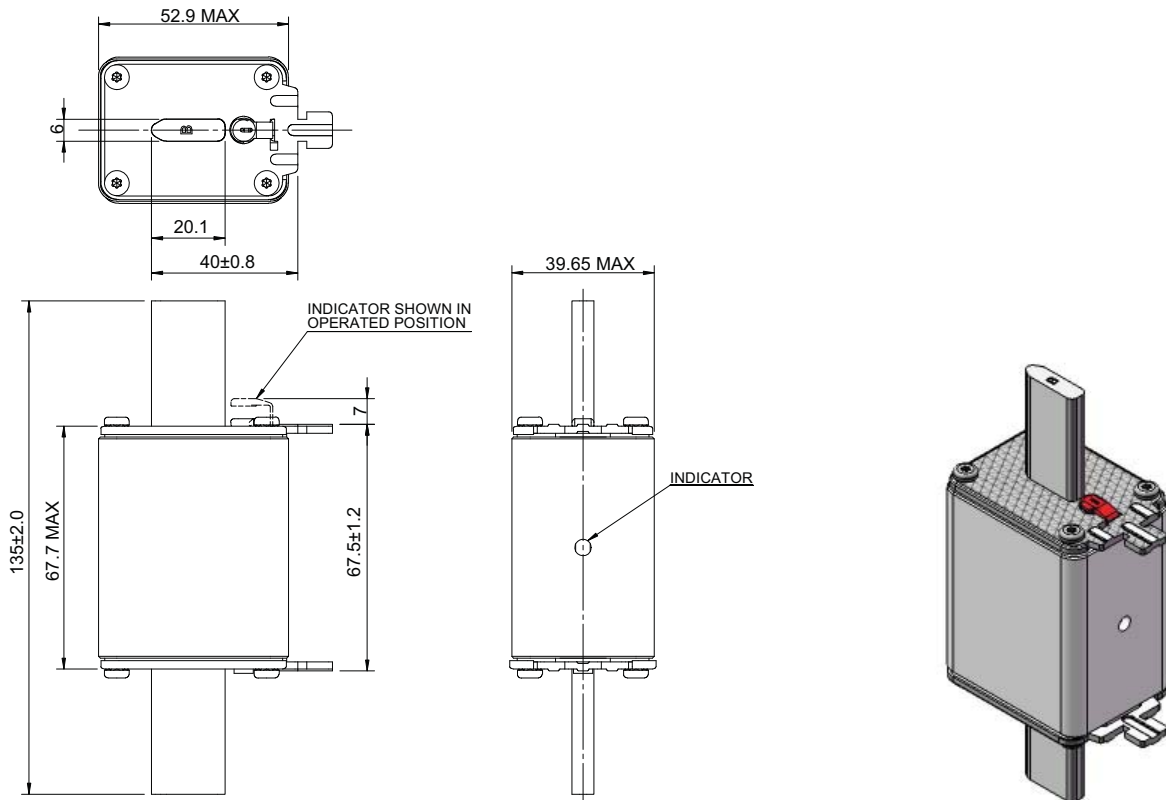
NH Size 00 - Dimensions



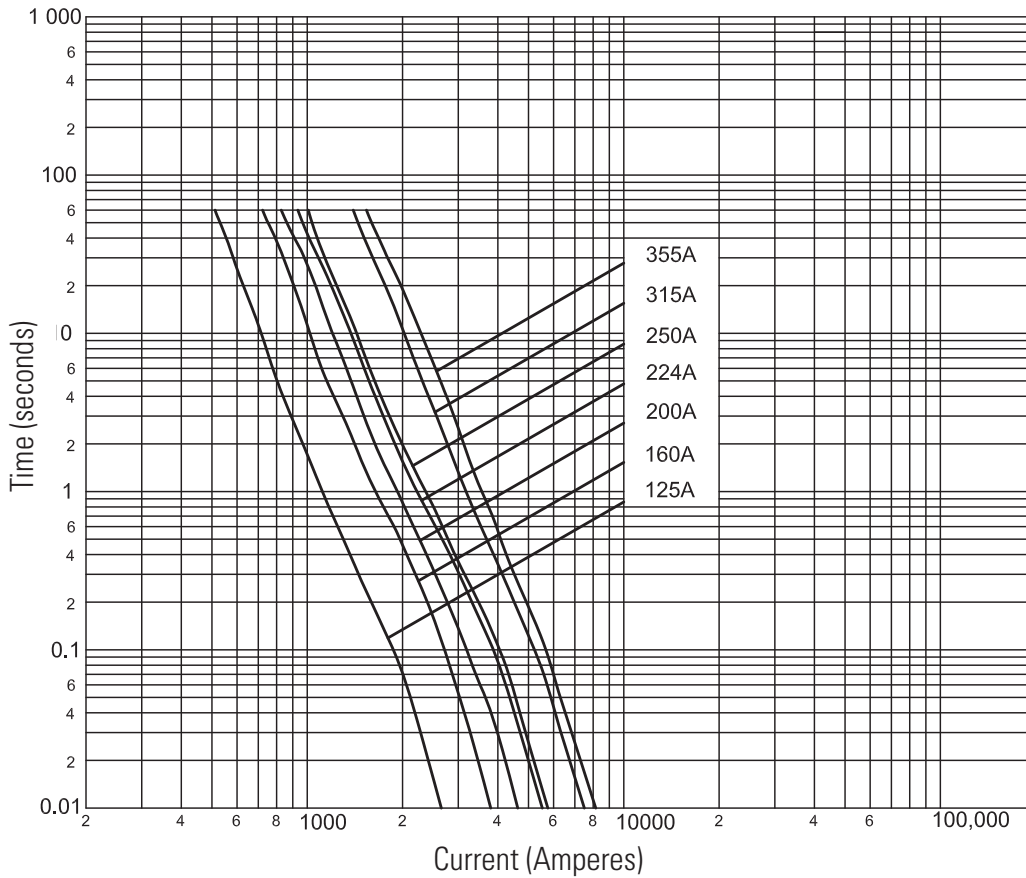
NH Size 1 - Time current curve



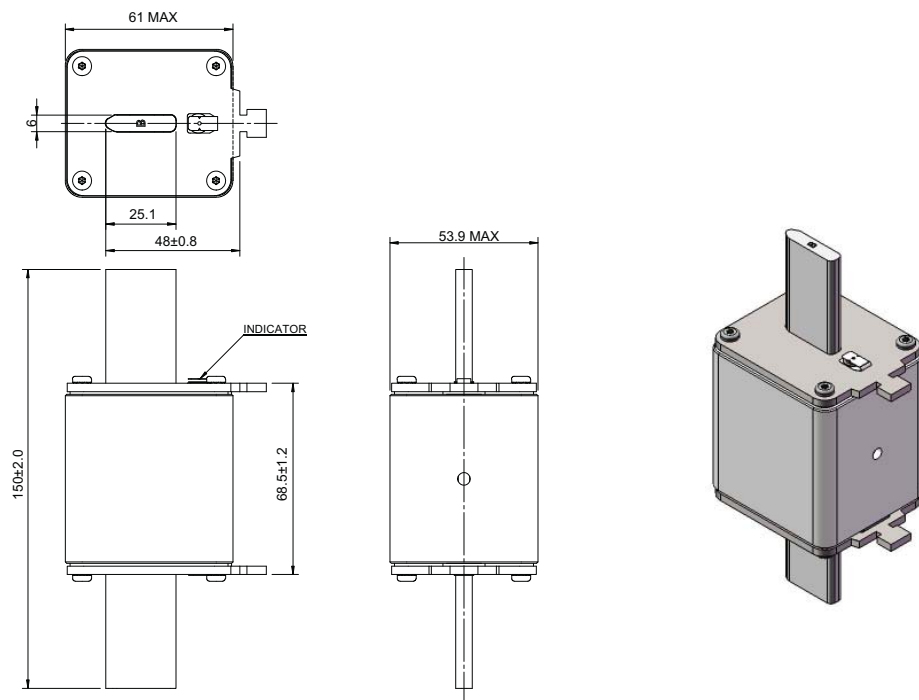
NH Size 1 - Dimensions



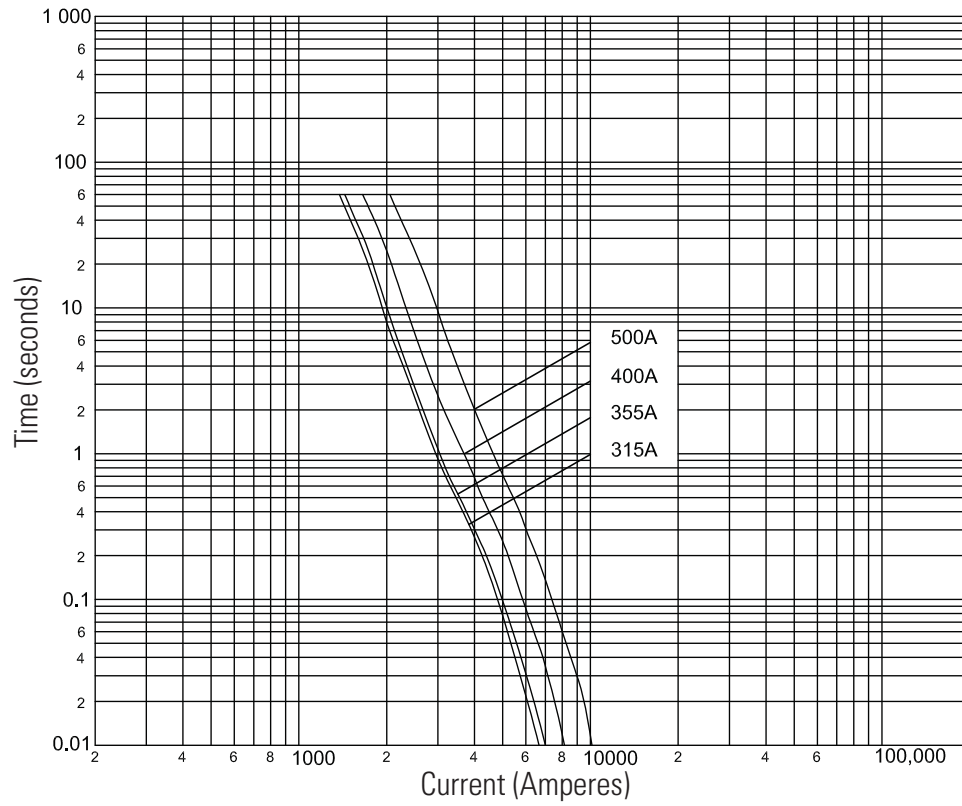
NH Size 2 - Time current curve



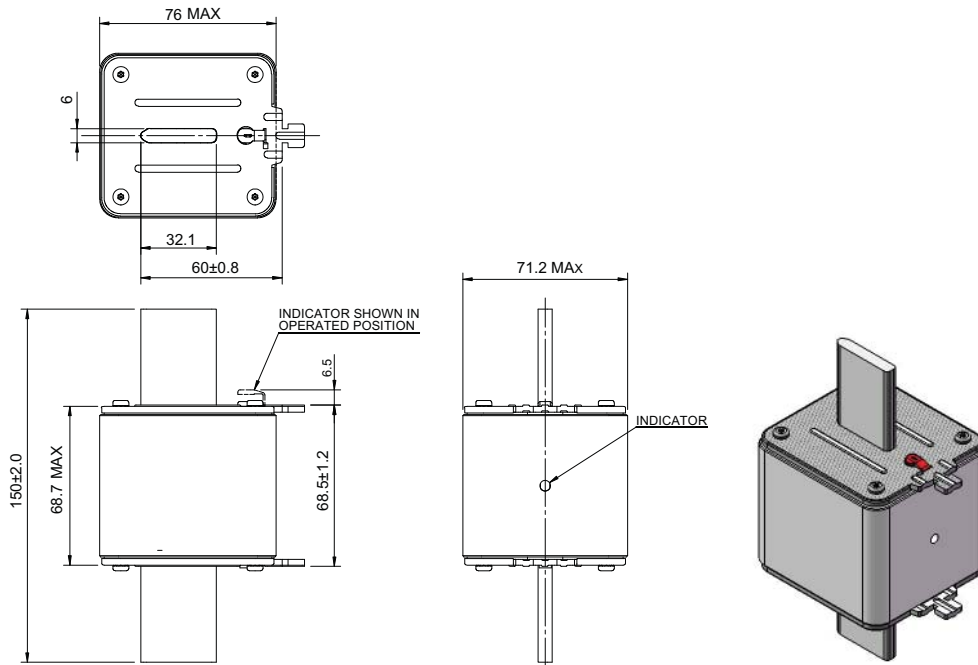
NH Size 2 - Dimensions



NH Size 3 - Time current curve



NH Size 3 - Dimensions



Changes to the products, to the information contained in this document, and to prices are reserved; so are errors and omissions. Only order confirmations and technical documentation by Eaton is binding. Photos and pictures also do not warrant a specific layout or functionality. Their use in whatever form is subject to prior approval by Eaton. The same applies to Trademarks (especially Eaton, Moeller, and Cutler-Hammer). The Terms and Conditions of Eaton apply, as referenced on Eaton Internet pages and Eaton order confirmations.

Eaton
 EMEA Headquarters
 Route de la Longeraie 7
 1110 Morges, Switzerland

Eaton Electrical Products Limited
 Melton Road
 Burton-on-the-Wolds
 Leicestershire, LE12 5TH
 United Kingdom

© 2017 Eaton
 All Rights Reserved
 PDF Only
 Publication No. 10165
 October 2017