

NH Horizontal fuse switch disconnectors - EBH000



Product description

Eaton's Bussmann® series EBH000 NH horizontal fuse switch disconnector is specifically designed to be used with size 000 NH Fuse links up to 160 A. They have compact dimensions, all energized metal parts are fully protected against accidental contact. These are manually operated switches and the making and breaking is dependent on the speed of the operation.

Standard features

- Touch for IP 30 from the front
- Top/bottom cable termination possibility
- Compact dimensions
- Test holes provided on the cover to measure the voltage across the link
- Various options for cable terminations
- Wide range of accessories)

Catalogue symbol:

- EBH000 O on mounting plates
- EBH000 1 on 60 mm busbar systems

Standard/Approvals:

- IEC 60947-1 and 3
- EN 60947-1 and 3

Compatible fuse links:

- Size 000 NH Fuse links up to 160 A

Technical data

- Voltage: 690 V a.c.
- Current: 160 A
- Utilisation category:
 - AC21B
 - AC22B
 - AC23B
 - DC21B

Functionality

- Designed for installation onto 100 mm or 185 mm busbar system
- Making and breaking operation should be done with determined movement
- Parallel moving, double contact system
- Suitable for top cable termination connection

Operating conditions

- Suitable for installation in environments free of any dust, explosive or aggressive gases
- Altitude up to 2000 metres above sea level
- Can be used in outdoor environments if they are installed in IP34 cabinets
- Relative air humidity should not be higher than 50% temperature of +40°C
- Ambient temperature from -25°C to +55°C

Mounting options

- On mounting plates: EBH000 O
- On to 60 mm busbar systems: EBH000 1

Packaging

- 1 per carton.

NH Horizontal fuse switch disconnectors - EBH000

Table 1. Technical data

		EBH 000				
Rated thermal current with solid links I_{th}	A	160				
Voltage U_n	V	690				
Utilisation category		AC-23B	AC-22B	AC-22B	AC-21B	DC-21B
Rated switching current I_e	A	400	690	400	690	250
Rated switching Voltage U_e	V	100	100	160	160	160
Rated short circuit making current	690 V	25	25	25	25	25
Rated short-circuit withstand current	690 V	100	100	100	100	100
Rated insulation voltage U_i	V	1000	1000	1000	1000	1000
Rated power dissipation	W	12	12	12	12	12
Rated impulse withstand voltage U_{imp}	kV	8	8	8	8	8
Rated frequency	Hz	50-60	50-60	50-60	50-60	50-60
Mechanical durability	Nb of cycles	2000	2000	2000	2000	2000
Electrical durability	Nb of cycles	300	300	300	300	300
IP Rating		IP20	IP20	IP20	IP20	IP20
Fuse links size		000	000	000	000	000



DIN-Rail



Mounting plates



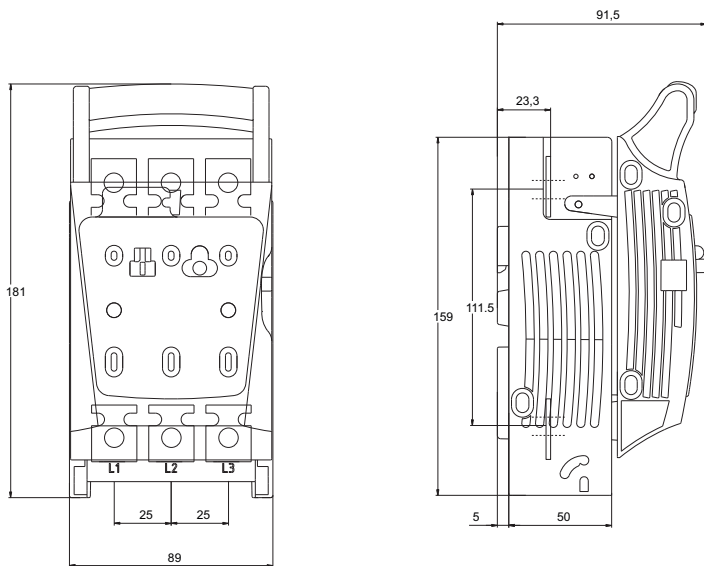
Busbar

Table 2. Catalogue numbers

Size	Current (Amps)	Busbar System	Catalogue Numbers	Cable Terminals	Pack Quantity	Compatible Fuse Links Size
Horizontal fuse switch disconnector for NH size 000 up to 160 A for installation on mounting plates						
000	160	N/A	EBH00003TS5	for connection of round conductors - S-bridge clamps	1	000 up to 160 A
			EBH00003TS5-D	for connection of round conductors - S-bridge clamps, option to install on DIN rail		
			EBH00003TM8	for connection of round conductors with lug terminals - M8 screws		
			EBH00003TM8-D	for connection of round conductors with lug terminals - M8 screws, option to install on DIN rail		
			EBH00003TS5L	for connection of round conductors - S-bridge clamps, lengthened terminal shrouds		
			EBH00003TM8L	for connection of round conductors with lug terminals - M8 screws, lengthened terminal shrouds		
Horizontal fuse switch disconnector for NH size 000 up to 160 A for installation on 60 mm busbar						
000	160	60 mm	EBH00013TBS5	Cable terminal – bottom, for connection of round conductors - S-bridge clamps	1	000 up to 160 A
			EBH00013TTS5	Cable terminal – top, for connection of round conductors - S-bridge clamps		
			EBH00013TBM8	Cable terminal – bottom, for connection of conductors with lug terminals - M8 screws		
			EBH00013TTM8	Cable terminal – top, for connection of conductors with lug terminals - M8 screws		

Dimensions (mm)

EBH000

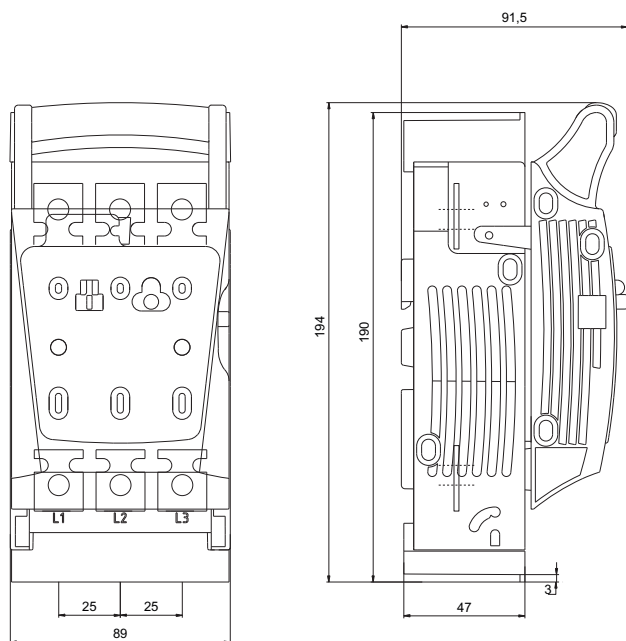


On mounting plates

NH Horizontal fuse switch disconnectors - EBH000

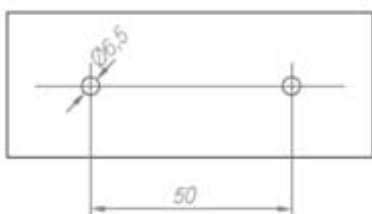
Dimensions (mm)

EBH000



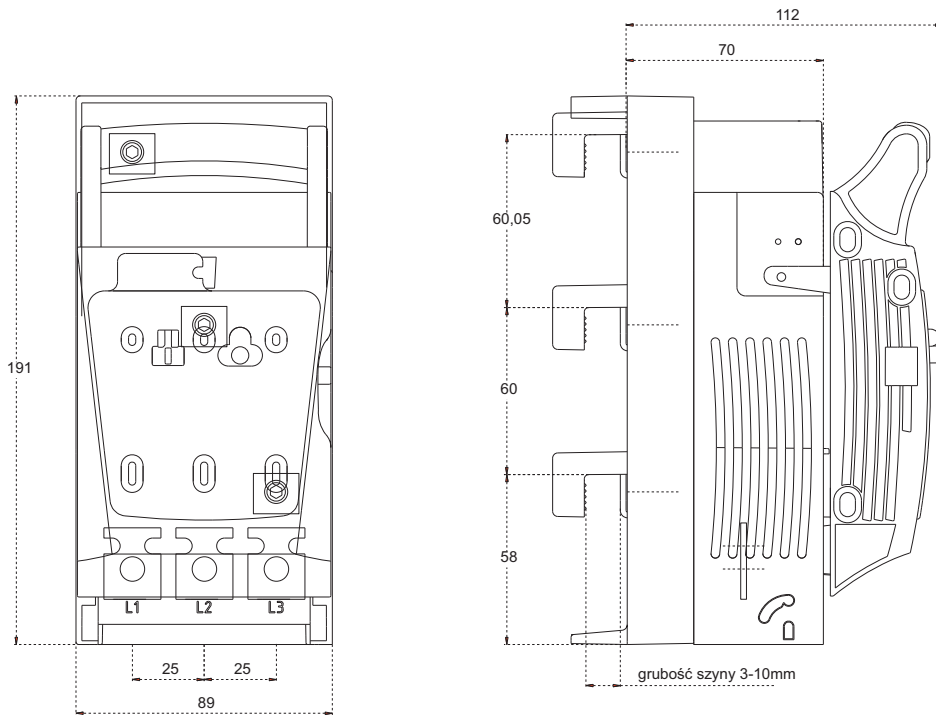
With extended terminal shrouds

Dimensions and spacing of holes for installation on EBH000 O on mounting plates



Dimensions (mm)

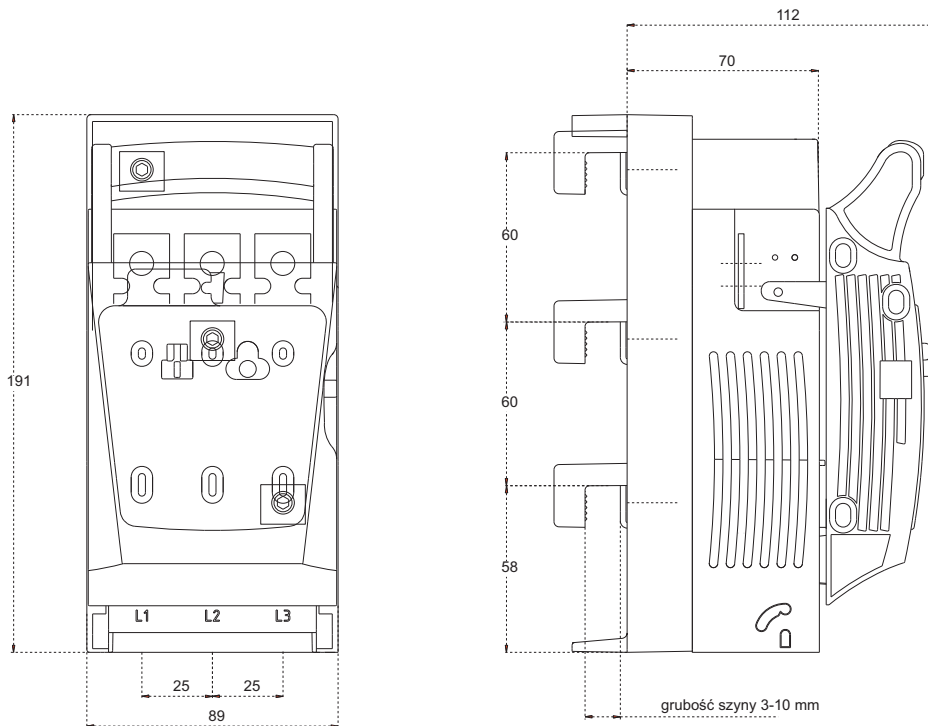
EBH000 (60 mm busbar mounting)



Bottom cable terminal

Dimensions (mm)

EBH000 (60 mm busbar mounting)



Top cable terminal

Eaton
 EMEA Headquarters
 Route de la Longeraie 7
 1110 Morges, Switzerland

Eaton Electrical Products Limited
 Melton Road
 Burton-on-the-Wolds
 Leicestershire, LE12 5TH
 United Kingdom

© 2017 Eaton
 All Rights Reserved
 PDF Only
 Publication No. 10292
 October 2017

Changes to the products, to the information contained in this document, and to prices are reserved; so are errors and omissions. Only order confirmations and technical documentation by Eaton is binding. Photos and pictures also do not warrant a specific layout or functionality. Their use in whatever form is subject to prior approval by Eaton. The same applies to Trademarks (especially Eaton, Moeller, and Cutler-Hammer). The Terms and Conditions of Eaton apply, as referenced on Eaton Internet pages and Eaton order confirmations.

Eaton is a registered trademark.

All other trademarks are property of their respective owners.