

# NH Fuse bases for photovoltaic fuse links



## Product description

Eaton's Bussmann® series sizes 1 to 3 NH fuse bases are specifically designed for use with Eaton's Bussmann series NH PV (photovoltaic) fuse links (see data sheet 720133).

**Catalogue symbol**

- SD1-D-PV
- SD2-D-PV
- SD3-D-PV

**Technical data**

- Rated voltage:
  - 1500 V d.c. (IEC)
  - 1000 V d.c. (UL)
- Rated current:
  - 250 A (SD1)
  - 400 A (SD2)
  - 630 A (SD3)
- Withstand: 50 kA
- Power acceptance
  - SD1 - 32W
  - SD2 - 45W
  - SD3 - 60W

- Protection level:

**IEC** - IP20 with shroud kit installed and shielding of any exposed terminal lugs

**UL** - Installation of shroud kit decreases the likelihood of incidental terminal contact. To ensure compliance to IP20 specifications per UL the installer must make additional provisions.

- Temperature range

**Operating** - IEC Standards -20°C to 70°C

UL -20°C to 90°C Max\*

**Storage** - IEC and UL -40°C to 90°C

\* Dependant upon rating of customer supplied lugs

- Derating factors for maximum current

Ambient	Derating factor
35°C	1.00
40°C	0.95
50°C	0.85

- Terminal/Lug mounting torque: 32N•m (283.2 Lb-In)

- Mounting

- 35 mm DIN-Rail
- Panel

- Flammability rating: UL 94V0

- Materials

- Base: Glass filled PBT
- Contacts: Silver plated copper
- Hardware: Clear zinc-plated steel

**Standards/Approvals**

- IEC 60269-1
- UL Listed (UL file E348242)
- CSA file 47235

**Packaging**

- MOQ: 3

**Accessories**

Fuse extraction handle

Size	Current (Amps)	Catalogue Numbers	Pack Quantity
NH1-3	250- 630	FEH	1



Shroud kits

Fuse Base Series	Fuse size	Current (Amps)	Catalogue Numbers	Description
SD1	NH1	250	SD12-SK	Kit includes 2 shrouds and 1 fuse cover
SD2	NH2	400	SD12-SK	
SD3	NH3	630	SD3-SK	



Phase Barrier Kit

Size	Current (Amps)	Catalogue Numbers	Pack Quantity	Description
NH1	250	SD12-PB	1	2-Phase barriers and 2 ganging links
NH2	400	SD12-PB	1	
NH3	630	SD3-PB	1	



Phase barrier



Ganging link

Microswitch

Catalogue Numbers	Pack Quantity	Ratings
BVL50	1	6 A 250 V a.c.
170H0236	12	2 A 250 V a.c.
170H0238	12	2A 250 V a.c.



BVL50



170H0236

1-pole changeover microswitch suitable for the following NH fuse links:

400 Volts gG/gL

500 Volts gG/gL and aM

690 Volts gG/gL and aM

1000 and 1500 V d.c. DC gPV

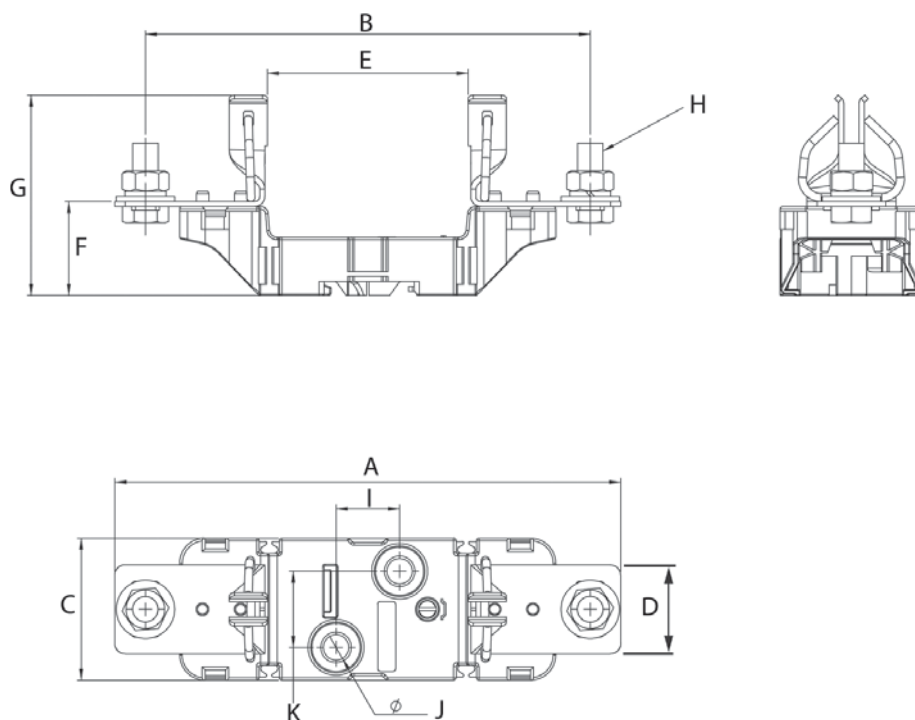
Note: Microswitches fit onto the fuse gripping lugs and are applicable to all NH size Eaton's Bussmann series fuse links

Neutral links

Size	Current (Amps)	Catalogue Numbers	Pack Quantity
NH1	250	SDL-1	3
NH2	400	SDL-2	3
NH3	630	SDL-3	3

NH Fuse bases for photovoltaic fuse links

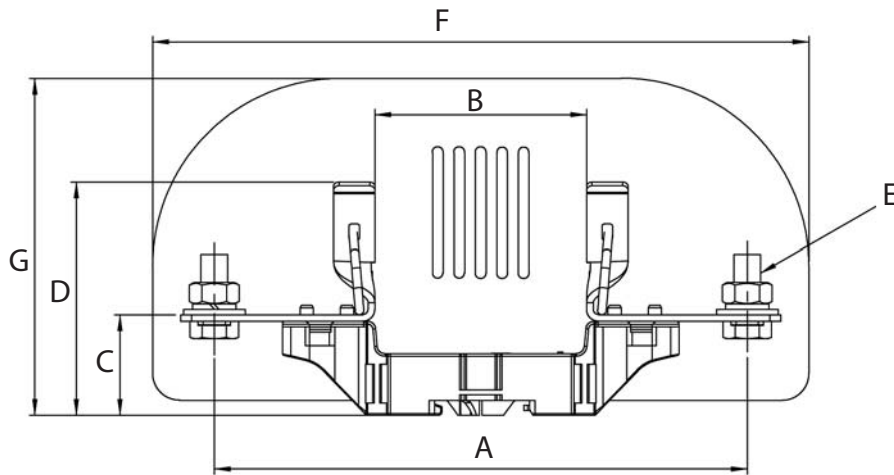
Dimensions - mm



1-pole, Sizes 1, 2 and 3

Catalogue numbers	Fuse size	A	B	C	D	E	F	G	H	I	J	K
SD1	NH1	199	175	56	35	79	37	78	M10x25	25	10	30
SD2	NH2	224	199	56	35	79	37.5	86	M10x25	25	10	30
SD3	NH3	239	209	56	36	82	37.5	88	M12x30	25	10	30

Dimensions - mm



With phase barriers 1-pole sizes 1, 2 and 3

Catalogue numbers	Fuse size	A	B	C	D	E	F	G
SD1	NH1	175	79	37	78	M10 x 25	245	125.5
SD2	NH2	199	79	37.5	86	M10 x 25	245	125.5
SD3	NH3	209	82	37.5	88	M12 x 30	260	137.5

Changes to the products, to the information contained in this document, and to prices are reserved; so are errors and omissions. Only order confirmations and technical documentation by Eaton is binding. Photos and pictures also do not warrant a specific layout or functionality. Their use in whatever form is subject to prior approval by Eaton. The same applies to Trademarks (especially Eaton, Moeller, and Cutler-Hammer). The Terms and Conditions of Eaton apply, as referenced on Eaton Internet pages and Eaton order confirmations.

**Eaton**  
 EMEA Headquarters  
 Route de la Longeraie 7  
 1110 Morges, Switzerland

Eaton Electrical Products Limited  
 Melton Road  
 Burton-on-the-Wolds  
 Leicestershire, LE12 5TH  
 United Kingdom

© 2017 Eaton  
 All Rights Reserved  
 PDF Only  
 Publication No. 720149  
 May 2018