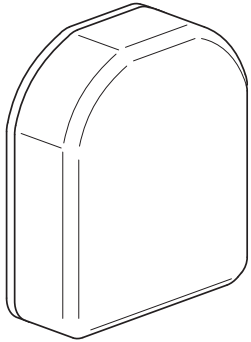


## EU xComfort CTEU-02/0X

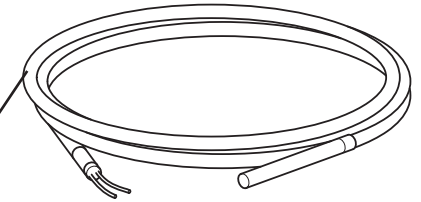


	Min. Version 1.09
	Min. Version 3.5

	T=-25°C - +70°C
	T=+5°C - +40°C

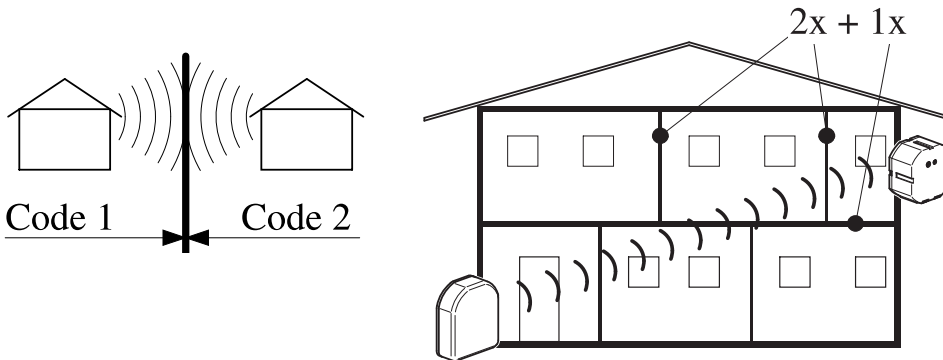
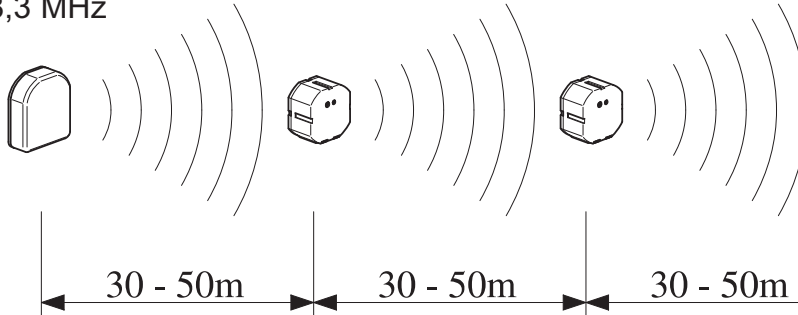
IP20

L = 1-2m  
(max. 100m)

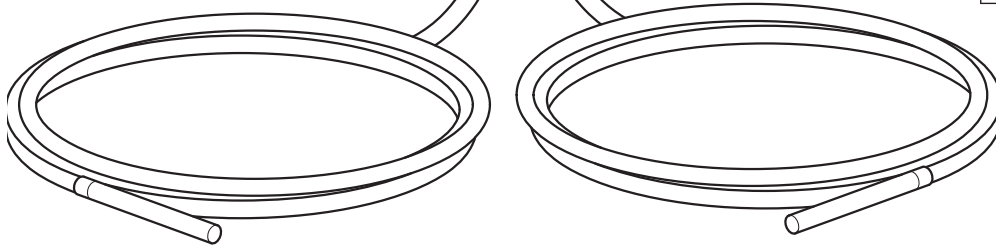
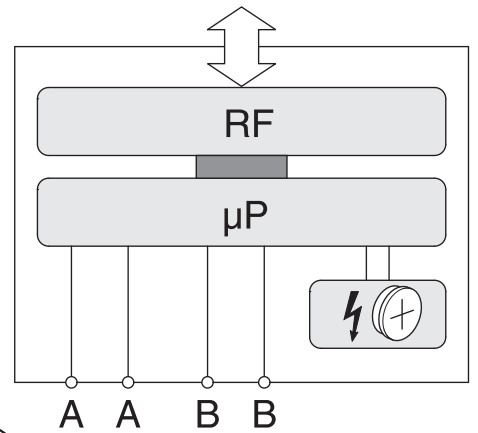
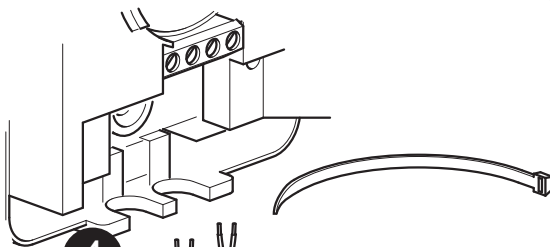
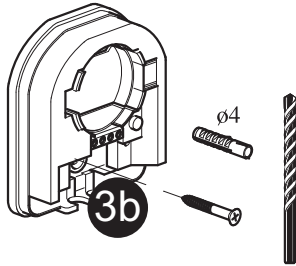
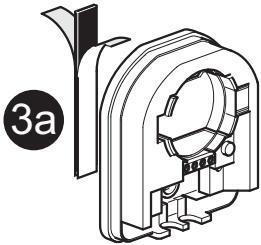
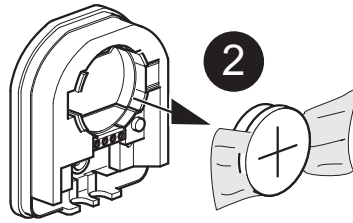
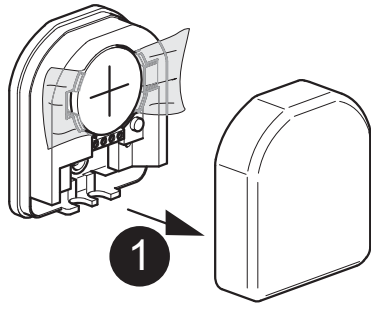


2x CSEZ-01/xx

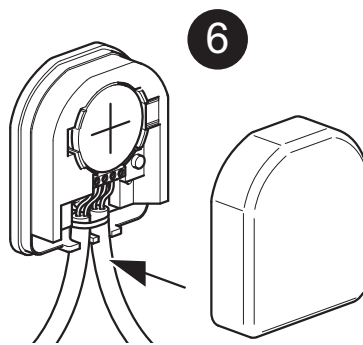
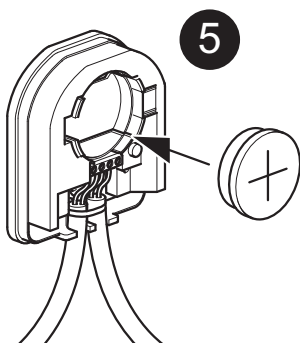
868,3 MHz



ca. 60-90%	ca. 80-95%	ca. 20-60%	ca. 0-10%	ca. 70-90%

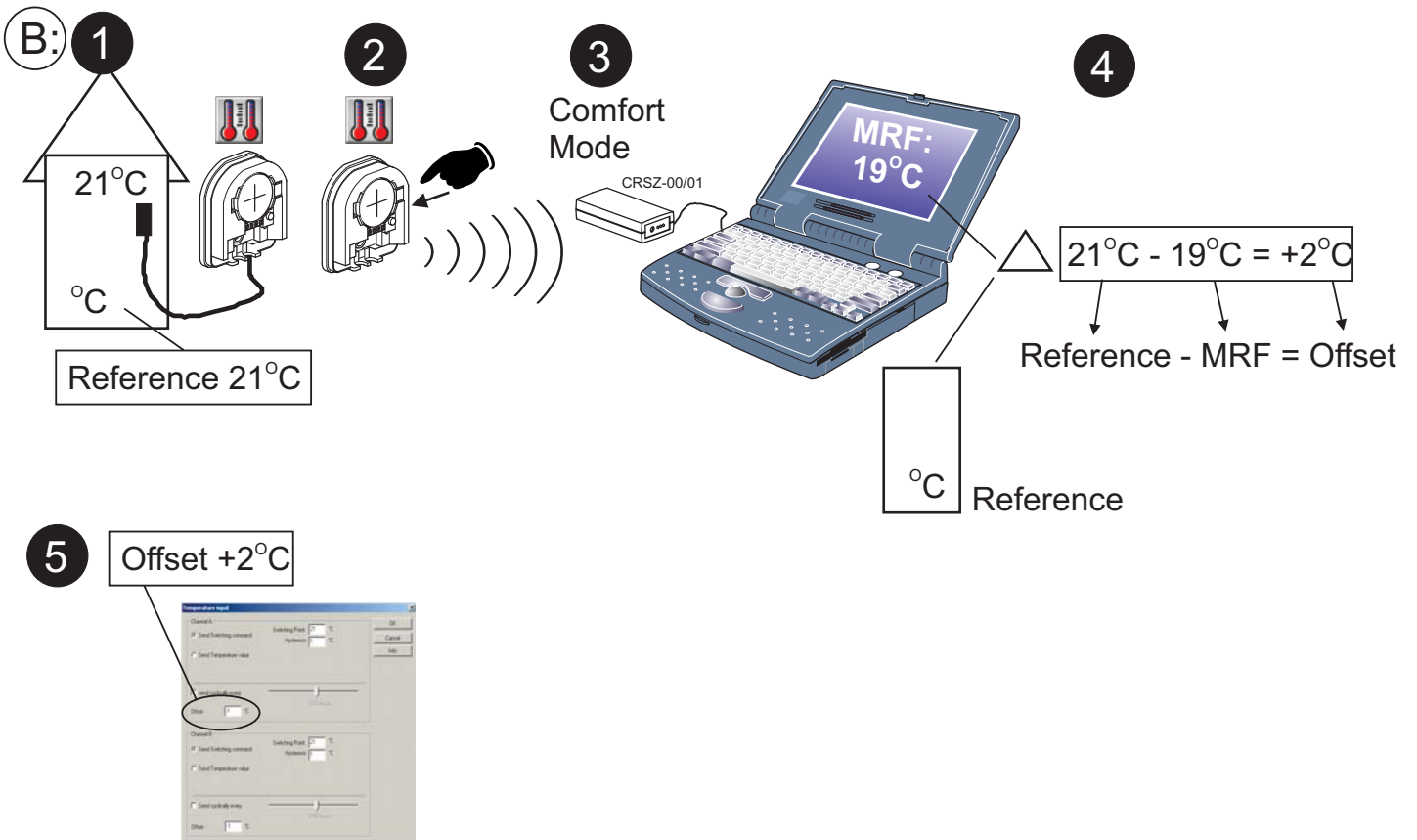
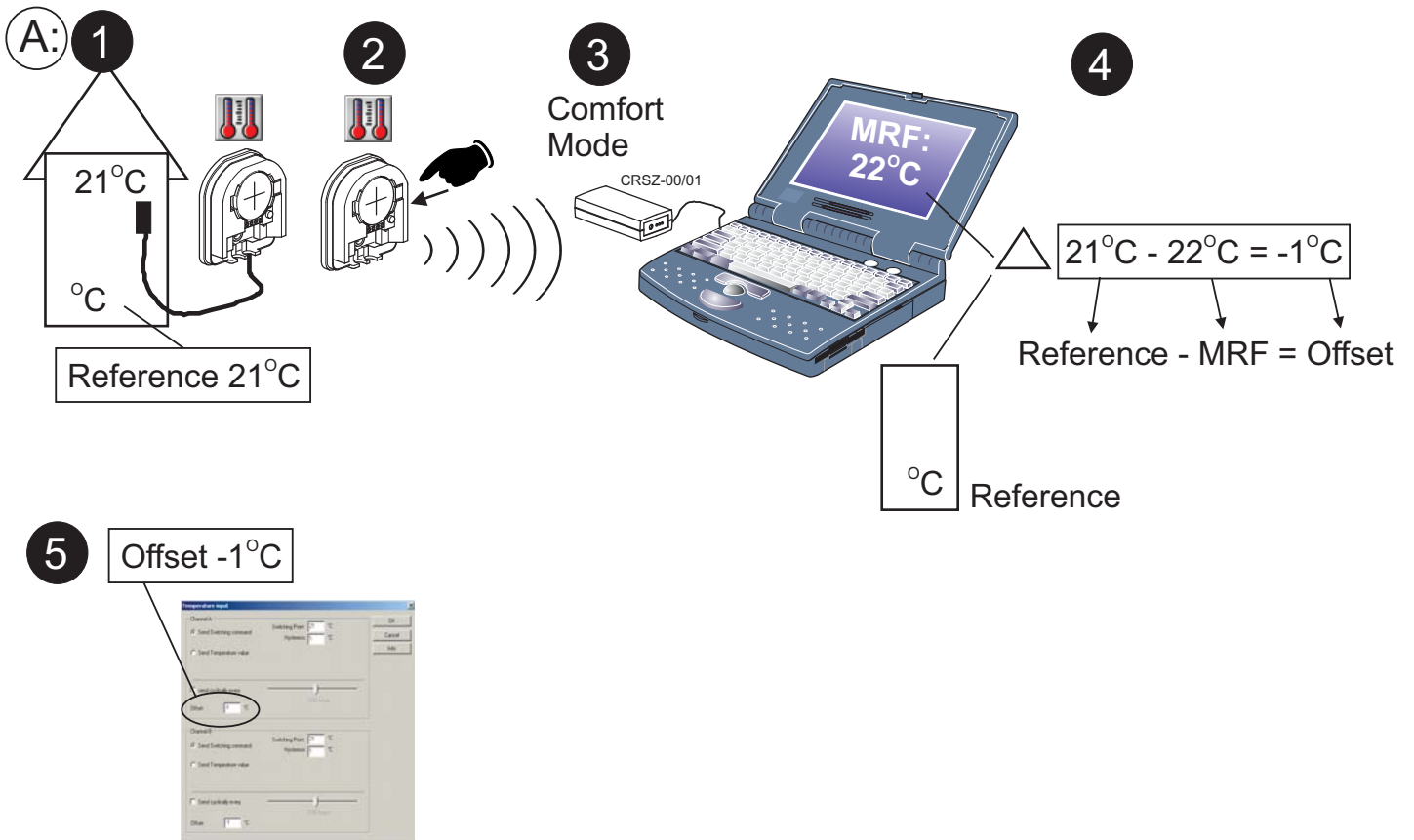


	1,5 mm <sup>2</sup>
	5 mm



3V-CR2477N

**Offset:**





# Declaration of Conformity

We, EATON Industries (Austria) GmbH  
3943 Schrems, Eugenia 1  
Austria

declare under our sole responsibility that the product (family)

## Eaton - Temperature measuring unit,

### CTEU-...

(the declaration of conformity applies to all listed types within our actual product catalogue)

provided that it is installed, maintained and used in the application intended for, with respect to the relevant manufacturers instructions, installation standards and "good engineering practices"

complies with the provisions of Council directive(s):

RED Directive 2014/53/EU

RoHS Directive 2011/65/EU

based on compliance with following standard(s):

EN 301489-3 V2.1.1, EN 300220-2 V3.1.1, EN 50491-5-1:2010, EN 50491-5-2:2010, EN 60950-1:2006 + A11:2009 + A1:2010 + A12:2011 + A2:2013, EN 62479:2010, EN 50581:2012



EU- type examination performed by:  
TÜV Austria Services GmbH, Notified Body  
1230 Vienna, Deutschstrasse 10, Austria

Affixing date of CE mark: 2003  
Doc.Id.: CTEU-...\_171117

Fernando Ceccarelli

Senior Vice President  
General Manager

17.11.2017

Friedrich Schröder

Director Quality  
& Systems

<h2>RF- SYSTEM</h2> <h3>BASIC - MODE - CARD</h3>	