

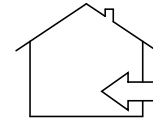


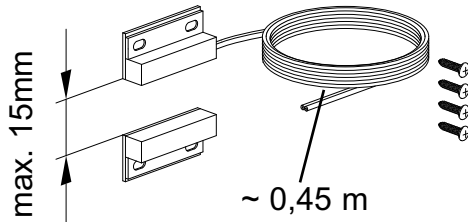
EU
xComfort CSEZ-01/06 / CSEZ-01/07 / CSEZ-01/25

CSEZ-01/06 100VDC/0,5A/NO	CSEZ-01/25 100VDC/0,5A/NC
------------------------------	------------------------------

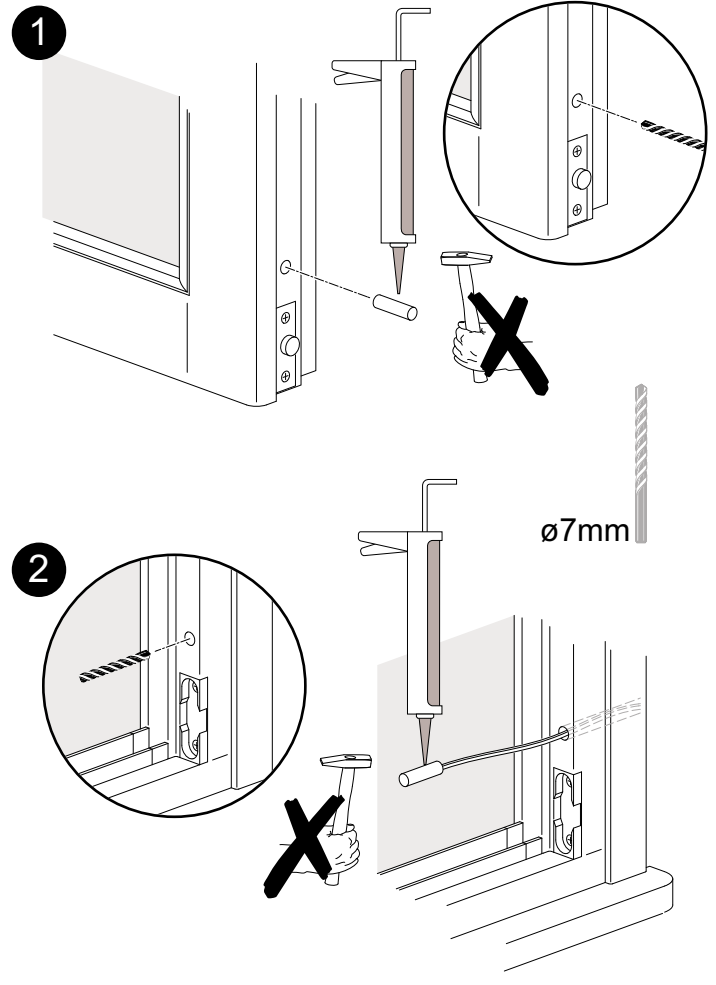
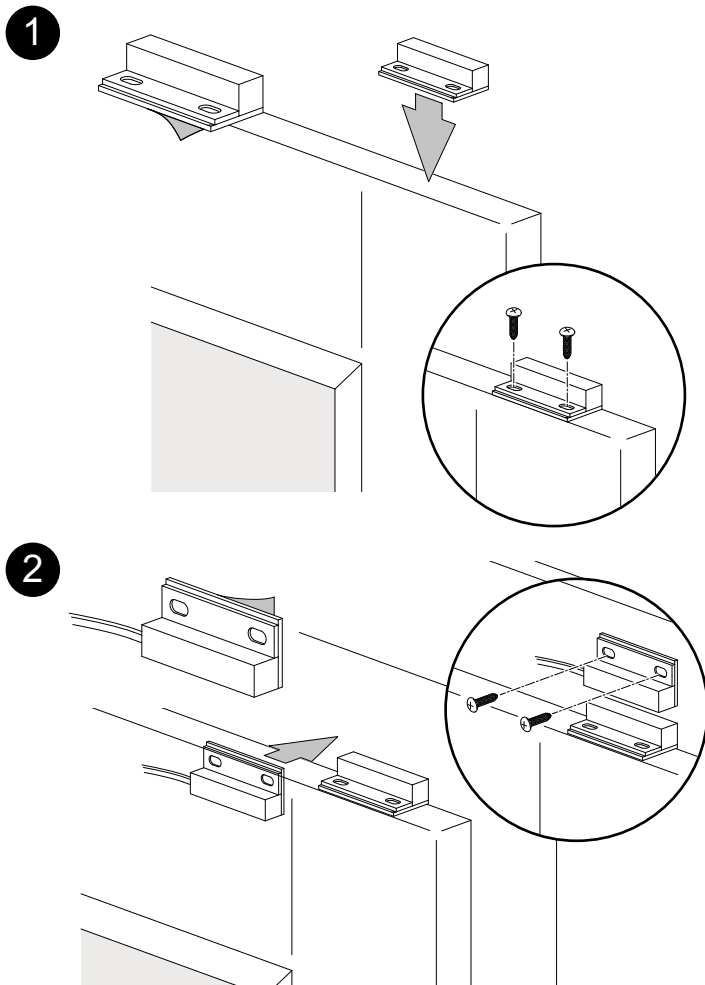
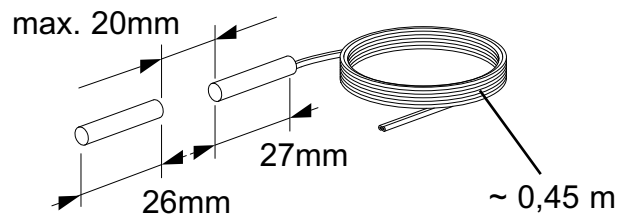
	T=-25°C - +70°C
	T=-5°C - +45°C

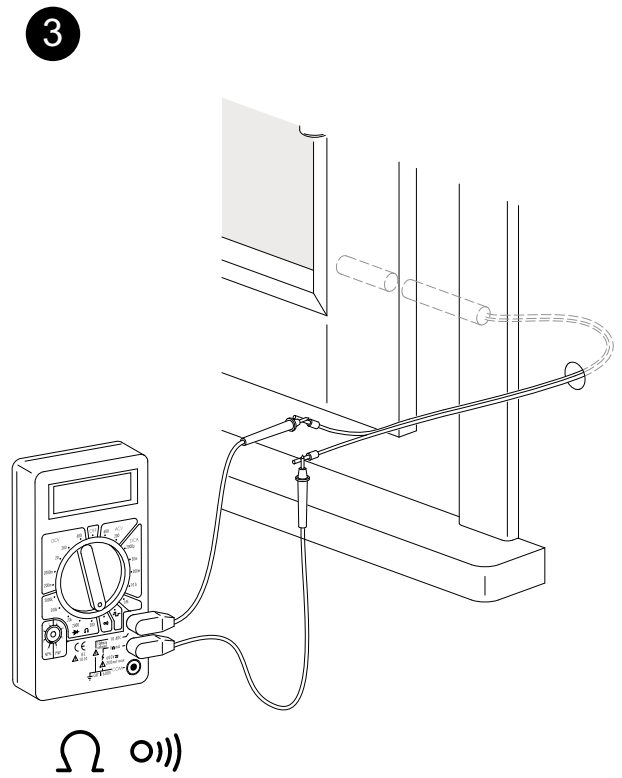
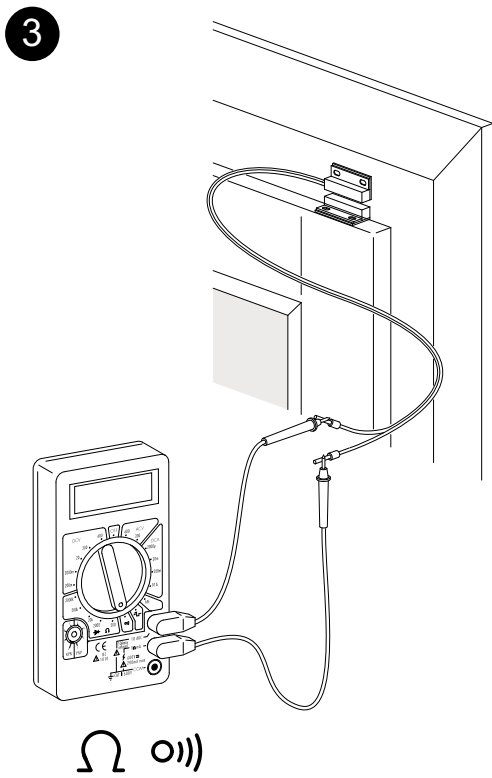


IP20

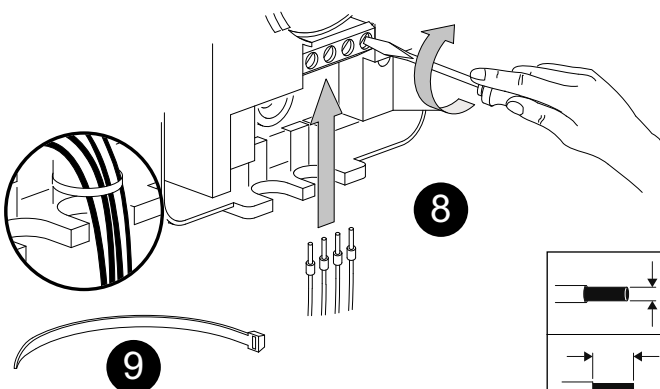
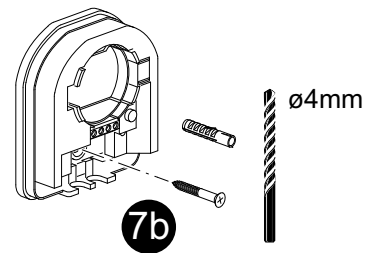
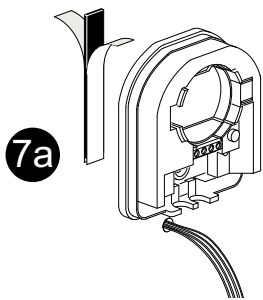
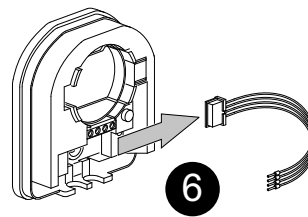
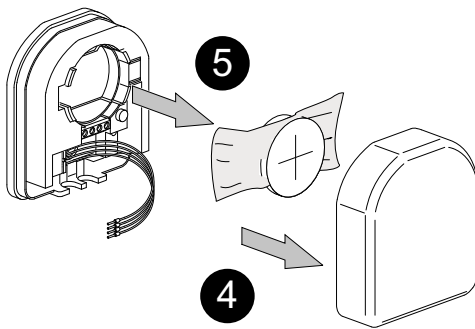


CSEZ-01/07 ... 100VDC/0,5A/NO

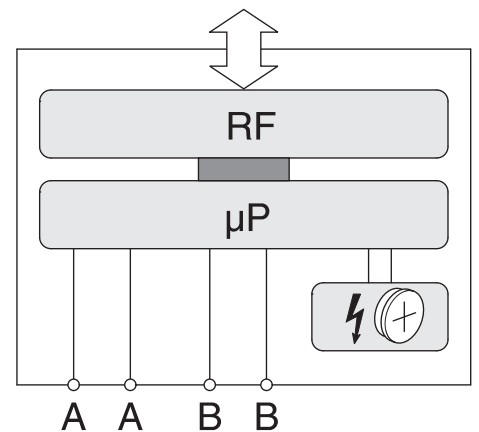


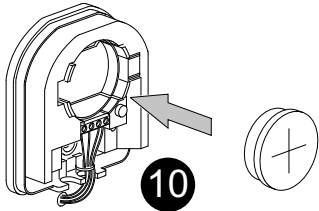


CBEU-02/02 (3VAC)

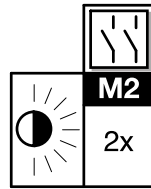


	1,5 mm ²
	5 mm

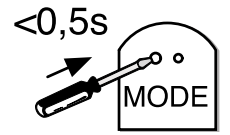




11

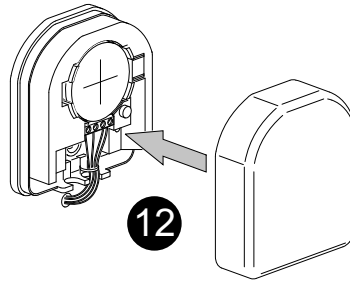


Mode M2 !!!



<0,5s

M1 ... M4

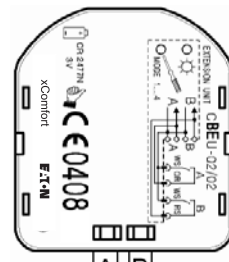


12

CBEU-02/01
(230VAC)



CBEU-02/02
(3VDC)



System 1

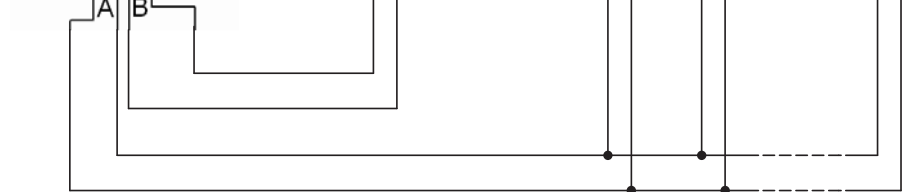
System 2

CSEZ-01/06
NO

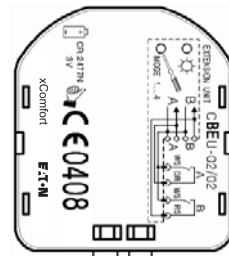
CSEZ-01/07
NO



max. 100VDC/0,5A



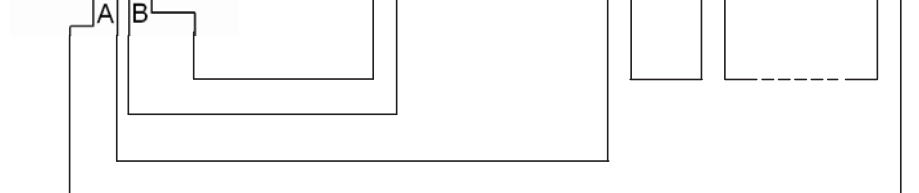
CBEU-02/02
(3VDC)



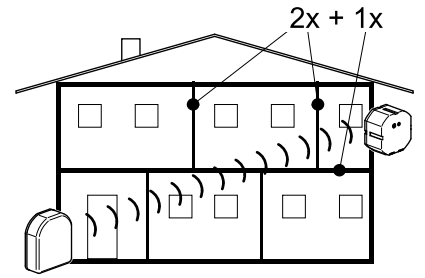
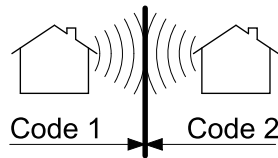
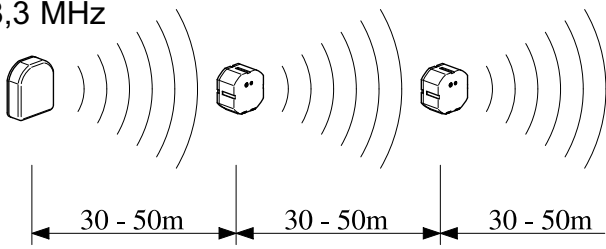
System 1

System 2

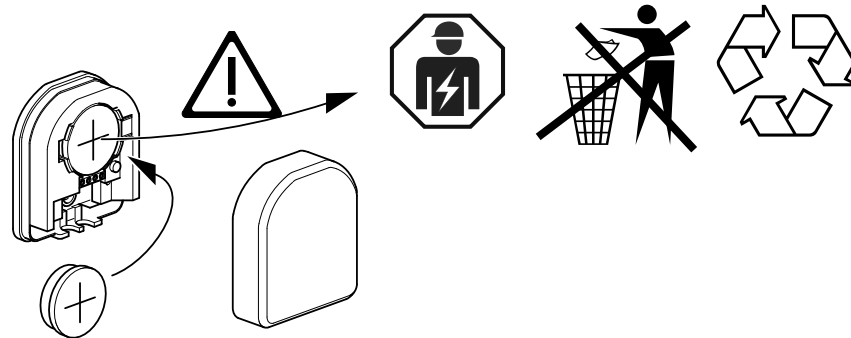
CSEZ-01/25
NC



868,3 MHz



	ca. 60-90%	ca. 80-95%	ca. 20-60%	ca. 0-10%	ca. 70-90%



3V-CR2477N

EAT·N

RF- SYSTEM

BASIC - MODE - CARD

CTAA-01/01

CTAA-02/01

CBEU-02/01

CBEU-02/02

M1 M2 M3 M4

1x 2x 3x 4x

CRCA-00/01

CHSZ-00/01

CSAU-01/01

CJAU-01/01

CDAU-01/01



Declaration of Conformity

We, EATON Industries (Austria) GmbH
3943 Schrems, Eugenia 1
Austria

declare under our sole responsibility that the product (family)

Eaton - window-contact (surface-mounted)

CSEZ-01/06

(the declaration of conformity applies to all listed types within our actual product catalogue)

provided that it is installed, maintained and used in the application intended for, with respect to the relevant manufacturer's instructions, installation standards and "good engineering practices"

complies with the provisions of Council directive(s):

Low Voltage Directive 2014/35/EU

EMC Directive 2014/30/EU

RoHS Directive 2011/65/EU

based on compliance with following standard(s):

EN 60947-1:2007 + A1:2011 + A2:2014, EN 61000-6-3:2007 + A1:2011, EN 61000-3-2:2014, EN 61000-3-3:2013, EN 61000-6-1:2007, EN 50581:2012



29.11.2017

Fernando Ceccarelli

Senior Vice President
General Manager

Friedrich Schröder

Director Quality
& Systems

Affixing date of CE mark: 2006

Doc.Id.: CSEZ-0106_291117

Declaration of Conformity

We, EATON Industries (Austria) GmbH
3943 Schrems, Eugenia 1
Austria

declare under our sole responsibility that the product (family)

Eaton - window-contact (built-in)

CSEZ-01/07

(the declaration of conformity applies to all listed types within our actual product catalogue)

provided that it is installed, maintained and used in the application intended for, with respect to the relevant manufacturer's instructions, installation standards and "good engineering practices"

complies with the provisions of Council directive(s):

Low Voltage Directive 2014/35/EU

EMC Directive 2014/30/EU

RoHS Directive 2011/65/EU

based on compliance with following standard(s):

EN 60947-1:2007 + A1:2011 + A2:2014, EN 61000-6-3:2007 + A1:2011, EN 61000-3-2:2014, EN 61000-3-3:2013, EN 61000-6-1:2007, EN 50581:2012



29.11.2017

Fernando Ceccarelli

Senior Vice President
General Manager

Friedrich Schröder

Director Quality
& Systems

Affixing date of CE mark: 2006

Doc.Id.: CSEZ-0107_291117

Declaration of Conformity

We, EATON Industries (Austria) GmbH
3943 Schrems, Eugenia 1
Austria

declare under our sole responsibility that the product (family)

Eaton - window-contact (surface-mounted)

CSEZ-01/25

(the declaration of conformity applies to all listed types within our actual product catalogue)

provided that it is installed, maintained and used in the application intended for, with respect to the relevant manufacturer's instructions, installation standards and "good engineering practices"

complies with the provisions of Council directive(s):

Low Voltage Directive 2014/35/EU

EMC Directive 2014/30/EU

RoHS Directive 2011/65/EU

based on compliance with following standard(s):

EN 60947-1:2007 + A1:2011 + A2:2014, EN 61000-6-3:2007 + A1:2011, EN 61000-3-2:2014, EN 61000-3-3:2013, EN 61000-6-1:2007, EN 50581:2012



29.11.2017

Fernando Ceccarelli

Senior Vice President
General Manager

Friedrich Schröder

Director Quality
& Systems

Affixing date of CE mark: 2006

Doc.Id.: CSEZ-0125_291117



